

# AXL F IF CAN 1H - Communication module



2702668

<https://www.phoenixcontact.com/us/products/2702668>

Please be informed that the data shown in this PDF document is generated from our online catalog. Please find the complete data in the user documentation. Our general terms of use for downloads are valid.



Axioline F, interface module, CAN, transparent protocol, max. transmission speed of 1 Mbps, IP20 protection, including bus base module and Axioline F connectors

## Product description

The module is designed for use within an Axioline F station. This module can be used to integrate a lower-level CAN bus system into the Axioline F station and therefore the bus system used. This Axioline F module acts as the interface for the transparent reading and writing of CAN messages. With appropriate programming on the higher-level controller, it is suitable for CANopen<sup>®</sup>, J1939, NMEA 2000, and proprietary CAN protocols.

## Your advantages

- Transparent reading and writing of CAN messages
- Integrated buffer memory for 256 CAN messages in the receive direction and 64 CAN messages in the transmit direction
- Parameterizable filter function for 60 filters (11-bit CAN identifier) and 30 filters (29-bit CAN identifier)
- Device rating plate stored
- Diagnostic and status indicators

## Commercial data

Item number	2702668
Packing unit	1 pc
Minimum order quantity	1 pc
Sales key	DR02
Product key	DRI253
GTIN	4055626317175
Weight per piece (including packing)	189.3 g
Weight per piece (excluding packing)	189.3 g
Customs tariff number	85176200
Country of origin	DE

# AXL F IF CAN 1H - Communication module

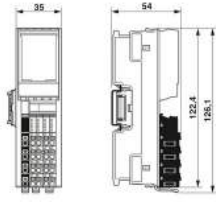


2702668

<https://www.phoenixcontact.com/us/products/2702668>

## Technical data

### Dimensions

Dimensional drawing	
Width	35 mm
Height	126.1 mm
Depth	54 mm
Note on dimensions	The depth applies when a TH 35-7.5 DIN rail is used (in accordance with EN 60715).

### Interfaces

#### Axioline F local bus

Number of interfaces	2
Connection method	Bus base module
Transmission speed	100 Mbps

#### CAN bus

Connection method	Push-in connection
Transmission speed range	10 kbps ... 1 Mbps (Default: 20 kbps)
Transmission physics	CAN bus according to standard ISO 11898-2 (high-speed CAN)
No. of channels	1

### System properties

#### Module

Process data channel	64 Byte
Input address area	64 Byte
Output address area	64 Byte
Required parameter data	1 Byte
Required configuration data	7 Byte

### Product properties

Type	block modular
Product type	I/O component
Product family	Axioline F
Mounting position	any (no temperature derating)

#### Insulation characteristics

Overvoltage category	II (IEC 60664-1, EN 60664-1)
----------------------	------------------------------

Pollution degree	2 (IEC 60664-1, EN 60664-1)
------------------	-----------------------------

## Electrical properties

### Potentials: Axioline F local bus supply ( $U_{Bus}$ )

Supply voltage	5 V DC (via bus base module)
Current draw	max. 150 mA
Power consumption	max. 0.75 W

### Potentials: Feed-in of supply voltage ( $U_I$ )

Supply voltage	24 V DC
Supply voltage range	19.2 V DC ... 30 V DC including all tolerances, including ripple
Current draw	max. 25 mA
Power consumption	max. 0.6 W

## Connection data

### Connection technology

Connection name	Axioline F connector
Note on the connection method	Please observe the information provided on conductor cross sections in the "Axioline F: system and installation" user manual.

### Conductor connection

Connection method	Push-in connection
Conductor cross section rigid	0.2 mm <sup>2</sup> ... 1.5 mm <sup>2</sup>
Conductor cross section flexible	0.2 mm <sup>2</sup> ... 1.5 mm <sup>2</sup>
Conductor cross section AWG	24 ... 16
Stripping length	8 mm

### Axioline F connector

Connection method	Push-in connection
Note on the connection method	Please observe the information provided on conductor cross sections in the "Axioline F: system and installation" user manual.
Conductor cross section, rigid	0.2 mm <sup>2</sup> ... 1.5 mm <sup>2</sup>
Conductor cross section, flexible	0.2 mm <sup>2</sup> ... 1.5 mm <sup>2</sup>
Conductor cross section AWG	24 ... 16
Stripping length	8 mm

## Environmental and real-life conditions

### Ambient conditions

Ambient temperature (operation)	-25 °C ... 60 °C
Degree of protection	IP20
Air pressure (operation)	70 kPa ... 106 kPa (up to 3000 m above sea level)
Air pressure (storage/transport)	70 kPa ... 106 kPa (up to 3000 m above sea level)
Ambient temperature (storage/transport)	-40 °C ... 85 °C
Permissible humidity (operation)	5 % ... 95 % (non-condensing)
Permissible humidity (storage/transport)	5 % ... 95 % (non-condensing)

# AXL F IF CAN 1H - Communication module



2702668

<https://www.phoenixcontact.com/us/products/2702668>

## Standards and regulations

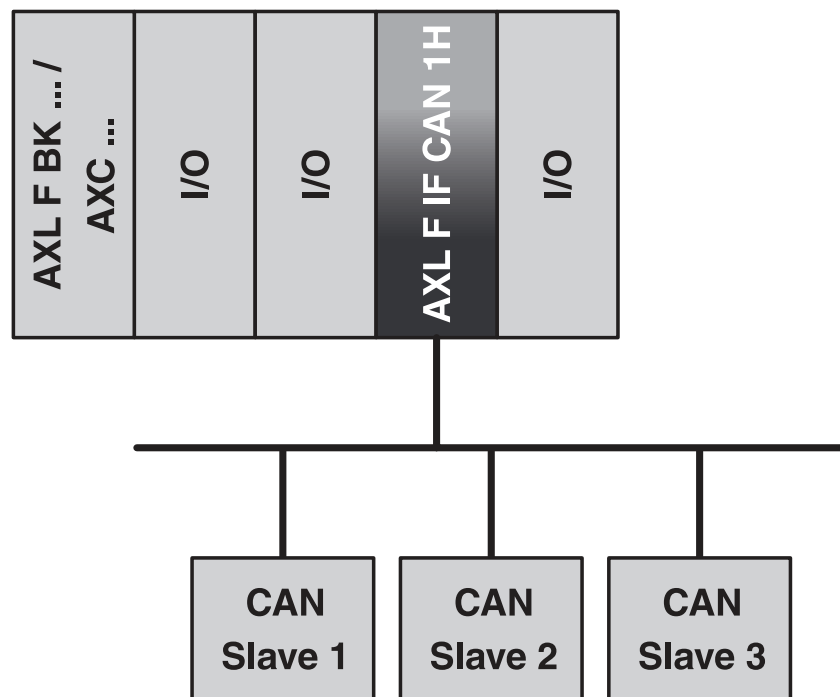
Protection class	III (IEC 61140, EN 61140, VDE 0140-1)
------------------	---------------------------------------

## Mounting

Mounting type	DIN rail mounting
Mounting position	any (no temperature derating)

## Drawings

Schematic diagram



Connection example

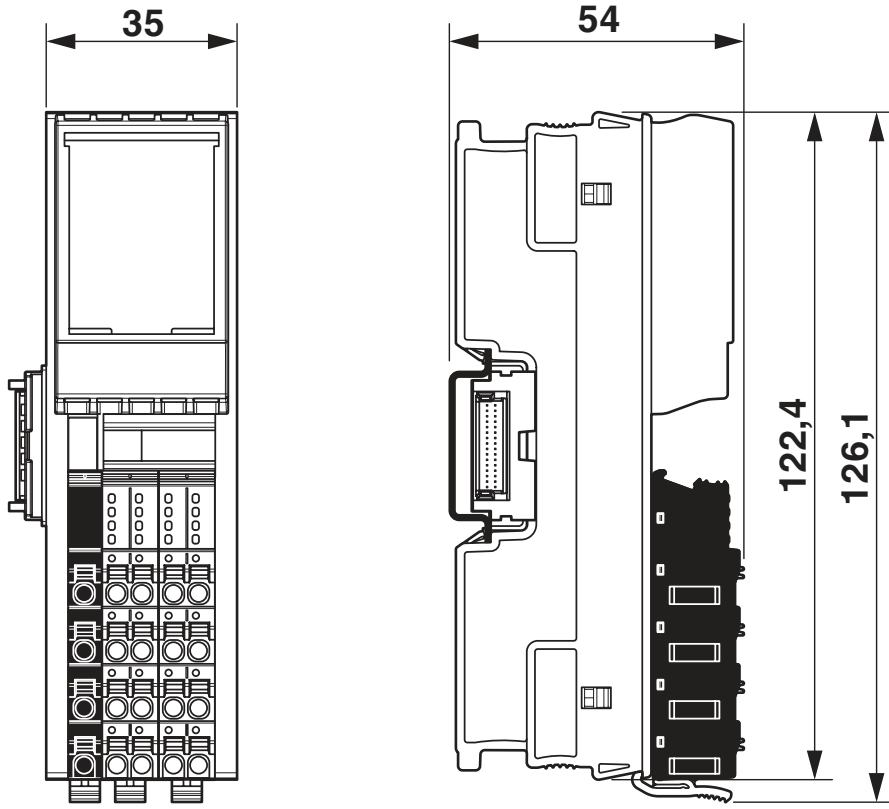
# AXL F IF CAN 1H - Communication module

2702668

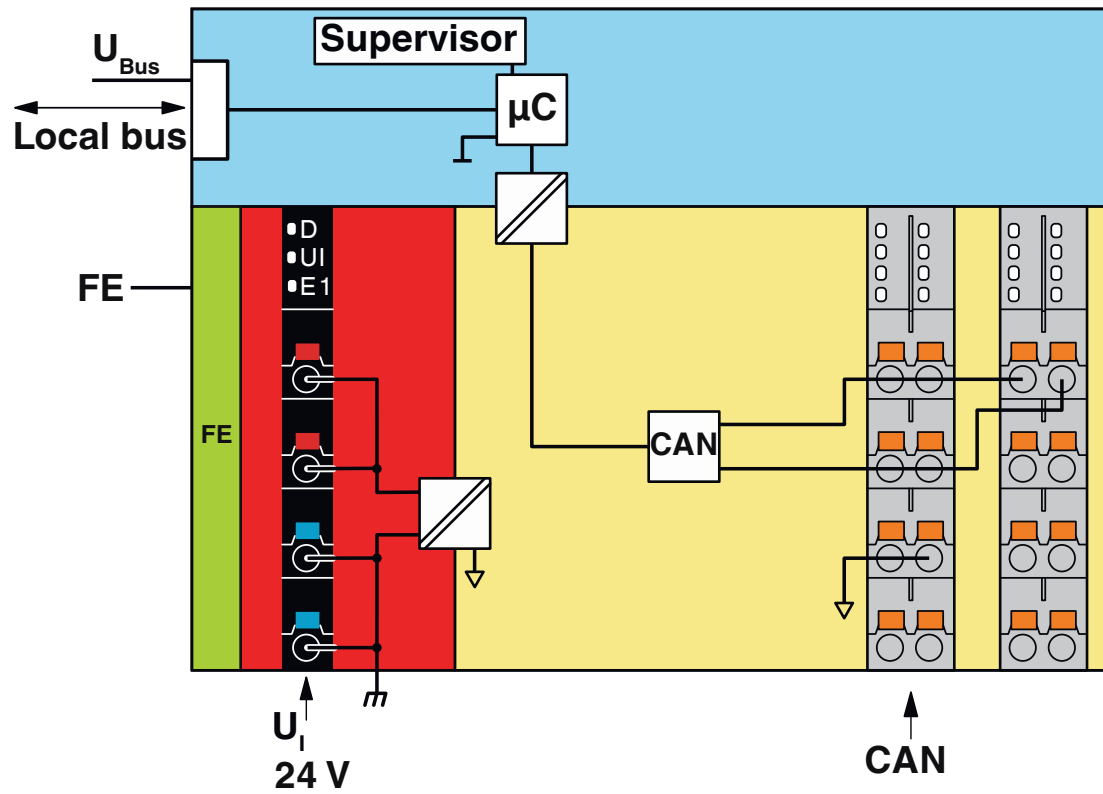
<https://www.phoenixcontact.com/us/products/2702668>



Dimensional drawing



Block diagram



Internal wiring of the terminal points

# AXL F IF CAN 1H - Communication module



2702668

<https://www.phoenixcontact.com/us/products/2702668>

## Approvals

To download certificates, visit the product detail page: <https://www.phoenixcontact.com/us/products/2702668>



**DNV GL**

Approval ID: TAA00000DF



**LR**

Approval ID: LR2001902TA



**NK**

Approval ID: 14A006



**BV**

Approval ID: 36433/B4 BV



**PRS**

Approval ID: TE/1020/880590/21



**UL Listed**

Approval ID: FILE E 238705



**cUL Listed**

Approval ID: FILE E 238705

**BSH**

Approval ID: 840



**RINA**

Approval ID: ELE283021XG

**ABS**

Approval ID: 21-2187864-PDA

**UAE-RoHS**

Approval ID: 23-02-63241



# AXL F IF CAN 1H - Communication module

2702668

<https://www.phoenixcontact.com/us/products/2702668>



**cULus Listed**

# AXL F IF CAN 1H - Communication module



2702668

<https://www.phoenixcontact.com/us/products/2702668>

## Classifications

### ECLASS

ECLASS-11.0	27242605
ECLASS-12.0	27242605
ECLASS-13.0	27242605

### ETIM

ETIM 8.0	EC001601
----------	----------

### UNSPSC

UNSPSC 21.0	32151600
-------------	----------

# AXL F IF CAN 1H - Communication module



2702668

<https://www.phoenixcontact.com/us/products/2702668>

## Environmental product compliance

REACH SVHC	Lead 7439-92-1
China RoHS	Environmentally Friendly Use Period = 50 years
	For information on hazardous substances, refer to the manufacturer's declaration available under "Downloads"

# AXL F IF CAN 1H - Communication module

2702668

<https://www.phoenixcontact.com/us/products/2702668>



## Accessories

### AXL F BS H - Bus connector

2700992

<https://www.phoenixcontact.com/us/products/2700992>

Axioline F bus base module for housing type H



---

### ZB 20,3 AXL UNPRINTED - Zack marker strip

0829579

<https://www.phoenixcontact.com/us/products/0829579>



Zack marker strip for Axioline F (device labeling), in 2 x 20.3 mm pitch, unprinted, 25-section, for individual labeling with B-STIFT 0.8, X-PEN, or CMS-P1-PLOTTER

# AXL F IF CAN 1H - Communication module

2702668

<https://www.phoenixcontact.com/us/products/2702668>



## ZBF 10/5,8 AXL UNPRINTED - Zack Marker strip, flat

0829580

<https://www.phoenixcontact.com/us/products/0829580>



Zack Marker strip, flat, Strip, white, unlabeled, can be labeled with: PLOTMARK, CMS-P1-PLOTTER, mounting type: snapped, for terminal block width: 10.15 mm, lettering field size: 4 x 10, 15 x 5 mm, 1 x 5.8 x 5 mm, Number of individual labels: 50

---

## AXL SHIELD SET - Shield connection

2700518

<https://www.phoenixcontact.com/us/products/2700518>



Axiline shield connection set (contains 2 shield bus holders and 2 SK 5 shield connection clamps)

# AXL F IF CAN 1H - Communication module



2702668

<https://www.phoenixcontact.com/us/products/2702668>

## EMT (35X28)R - Insert label

0801602

<https://www.phoenixcontact.com/us/products/0801602>



Insert label, for marking the Axioline F series from Phoenix Contact, Roll, white, unlabeled, can be labeled with: THERMOMARK E.300 (D)/600 (D), THERMOMARK ROLL 2.0, THERMOMARK ROLL, THERMOMARK ROLL X1, THERMOMARK ROLLMaster 300/600, THERMOMARK X1.2, mounting type: insert, lettering field size: 35 x 28 mm, Number of individual labels: 500

---

Phoenix Contact 2023 © - all rights reserved

<https://www.phoenixcontact.com>

Phoenix Contact USA  
586 Fulling Mill Road  
Middletown, PA 17057, United States  
(+717) 944-1300  
[info@phoenixcon.com](mailto:info@phoenixcon.com)