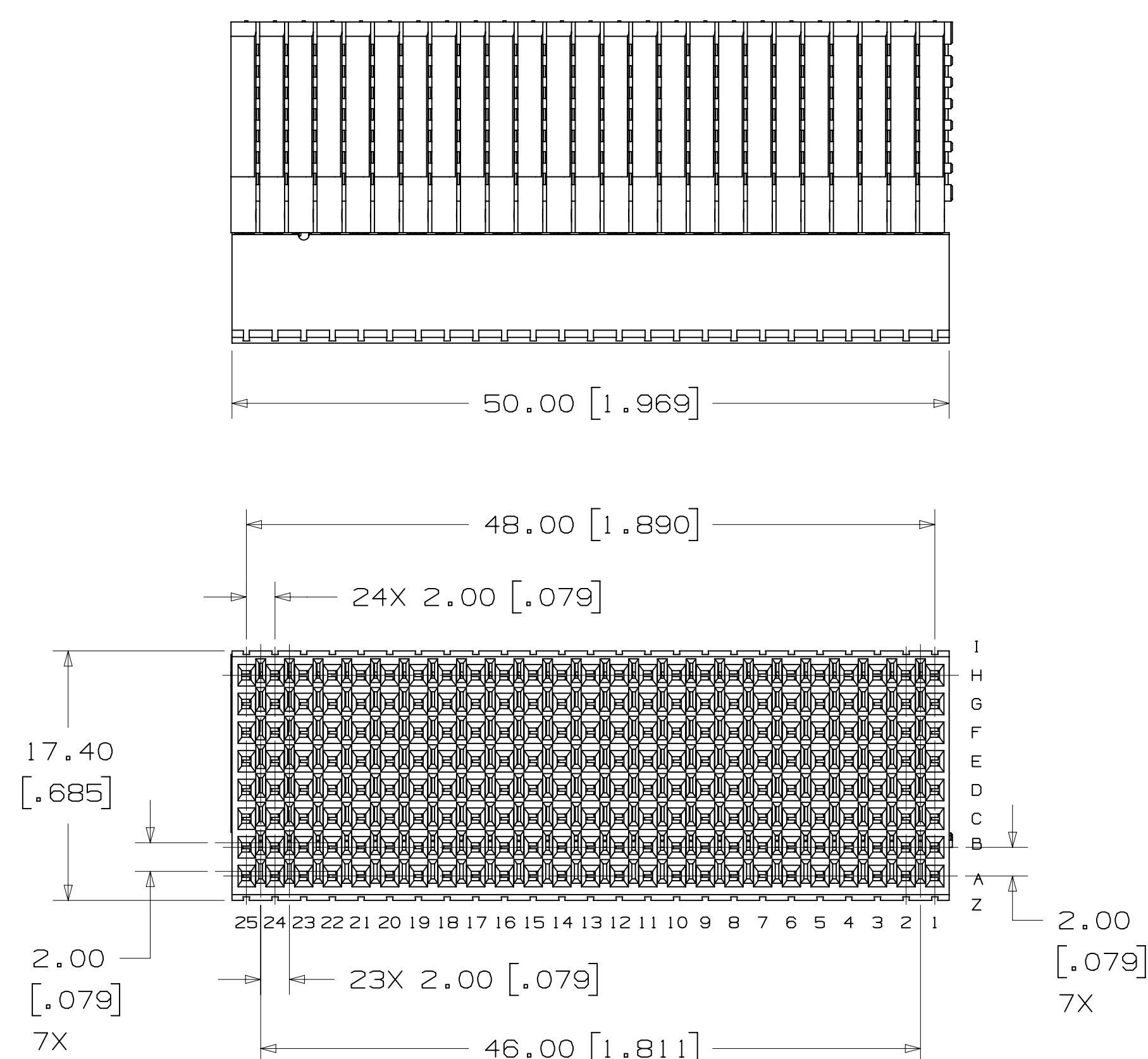
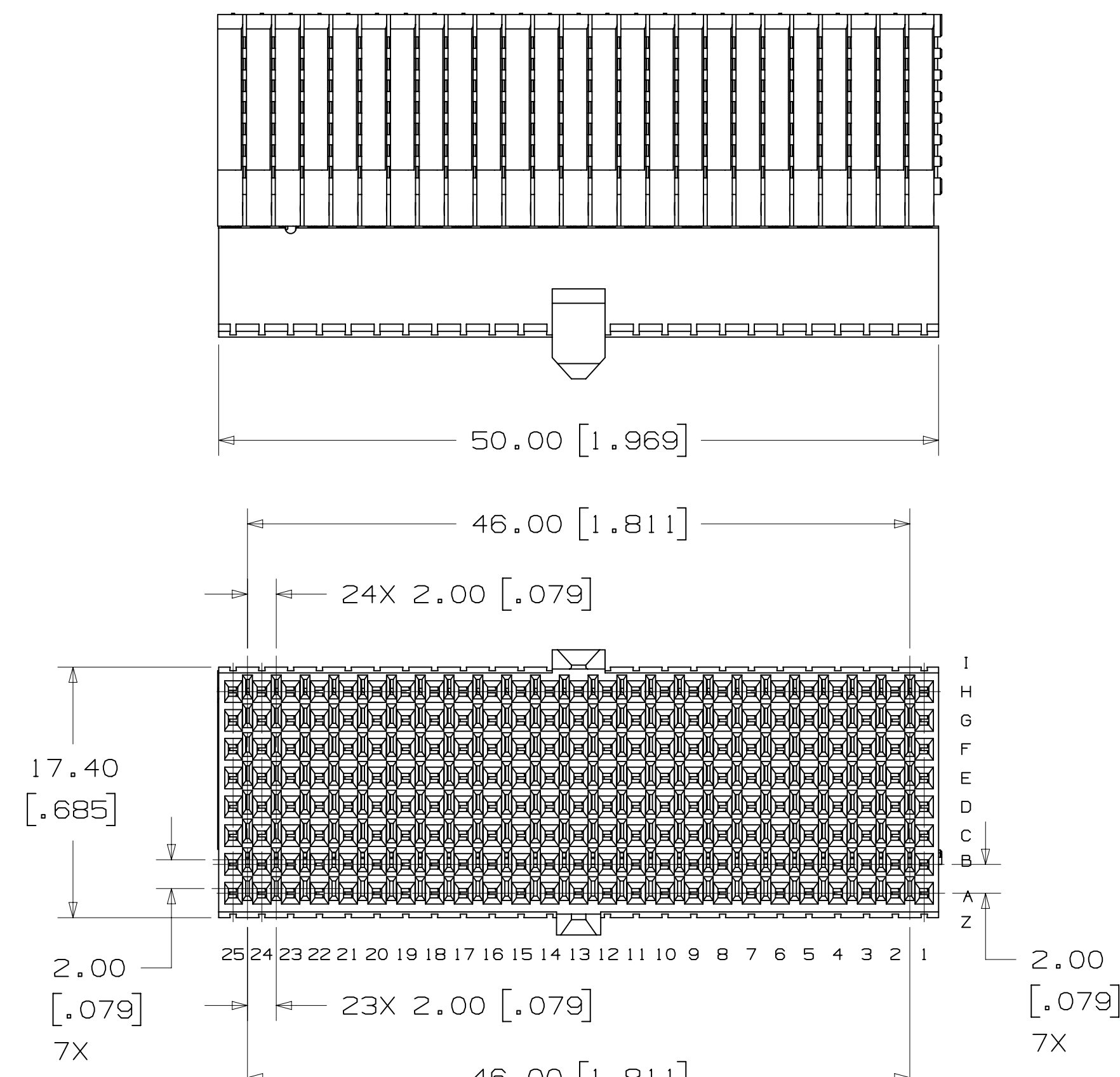




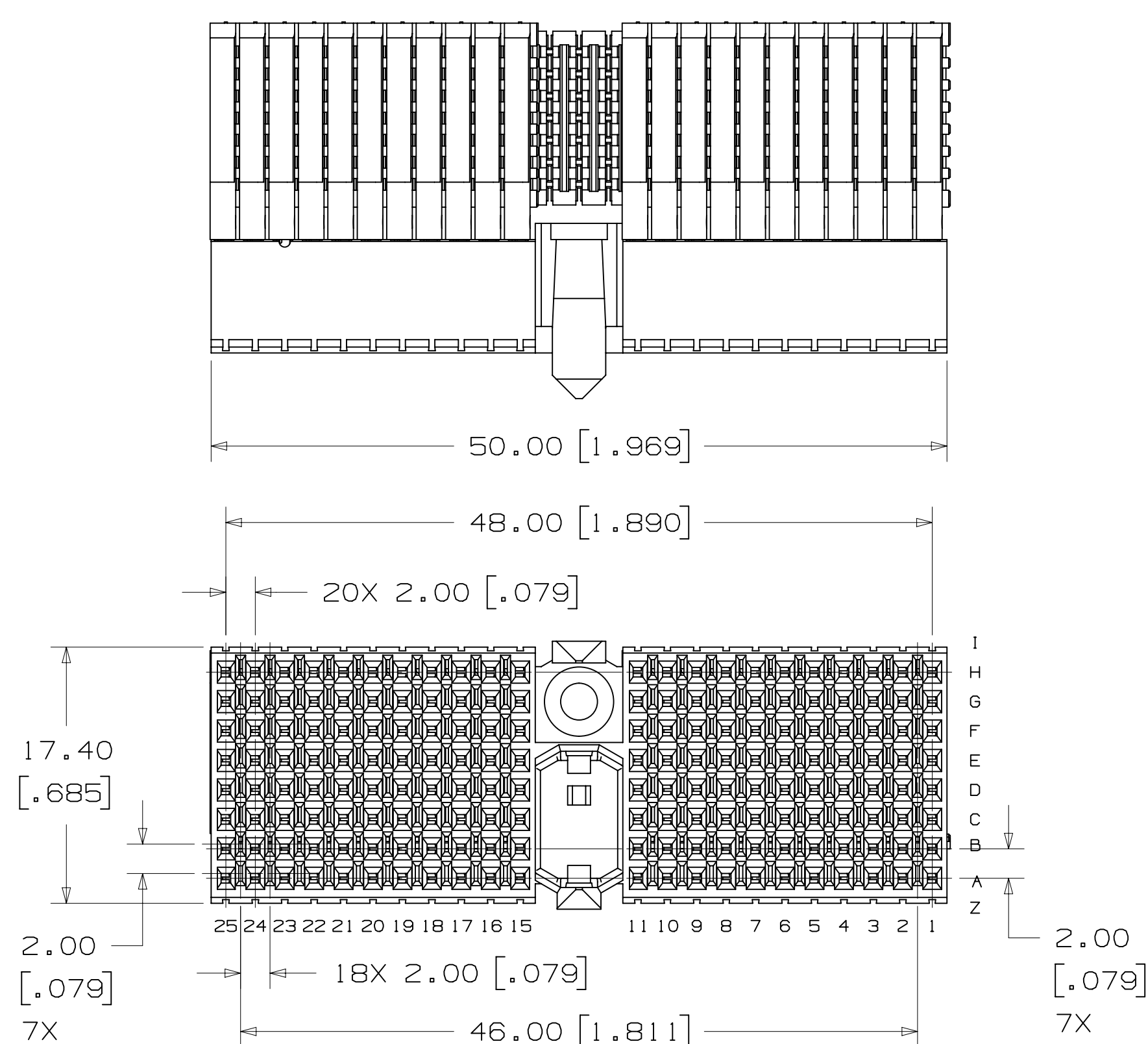
3M™ HM PRESS-FIT SOCKET, 8-ROW, HM SERIES  
FOR HARD METRIC APPLICATIONS



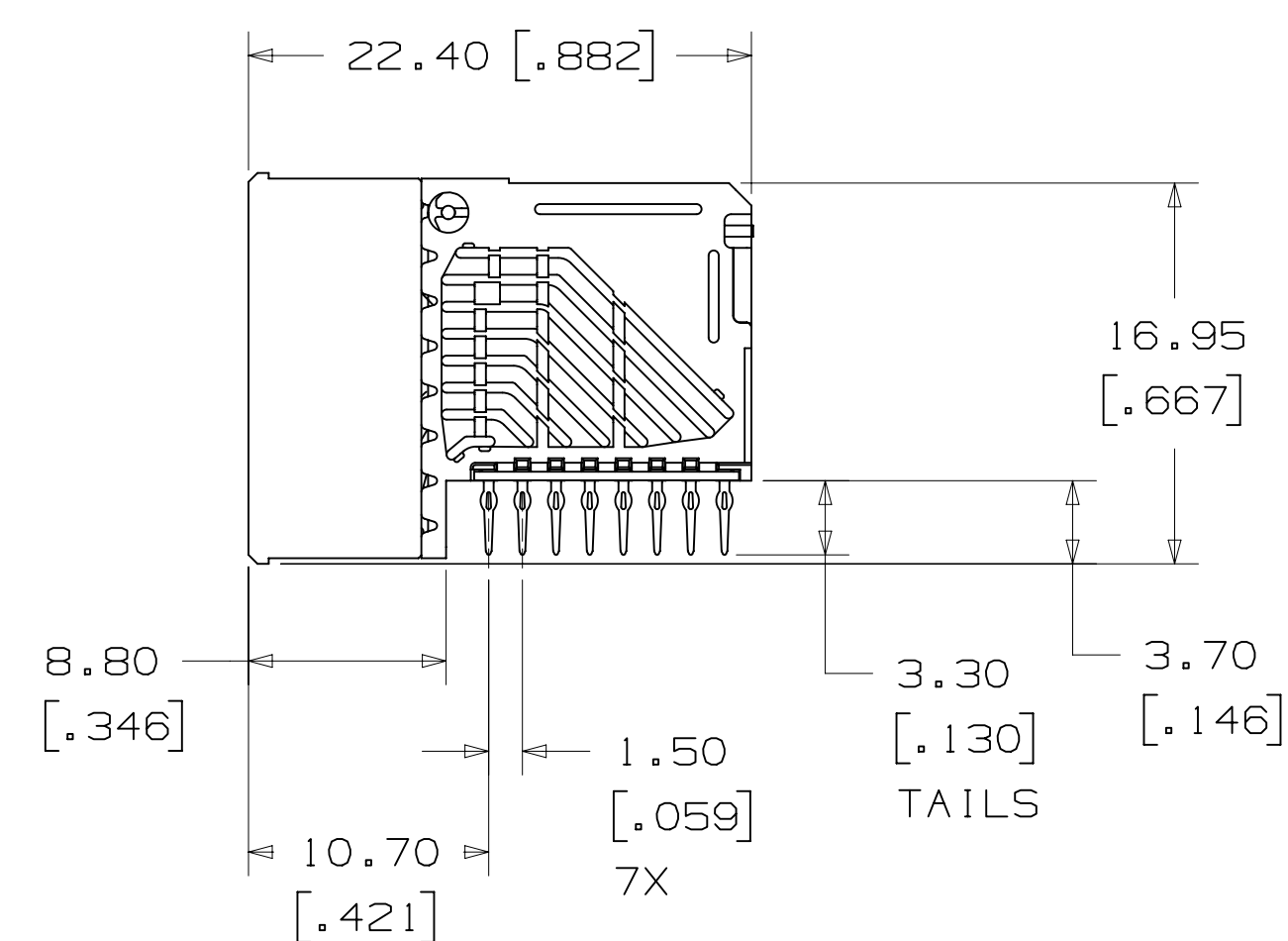
HM-S200E1-8AP1



HM-S200DE1-8AP1



HM-S176D1-8AP1



TYPICAL SIDE VIEW DIMENSIONS FOR THE SOCKETS ON THIS DRAWING

REV	ECO	ISSUE DATE AND DESCRIPTION	DRFT	CHKD
B	50345	OCT 07, 2013 REMOVED KR PLATING. REVISE RIA CALLOUT	JNC	TS
A	39778	MAR 23, 2012 PRODUCTION RELEASE	JNC	TS
CHKD	CASTIGLIONE	MAR 23, 2012	DATE	DATE
APPR	T. SUNIGA	MAR 26, 2012	DATE	DATE

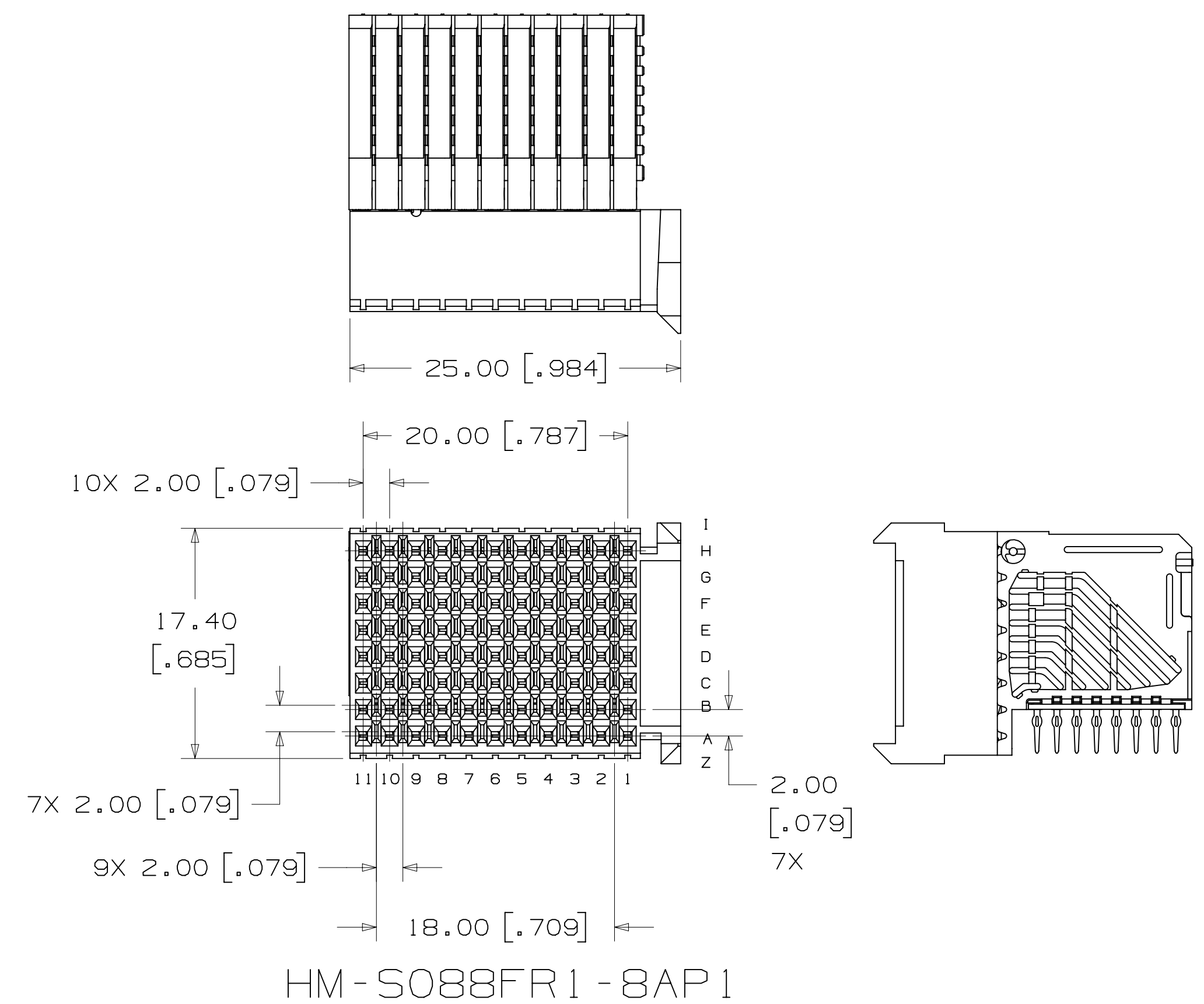
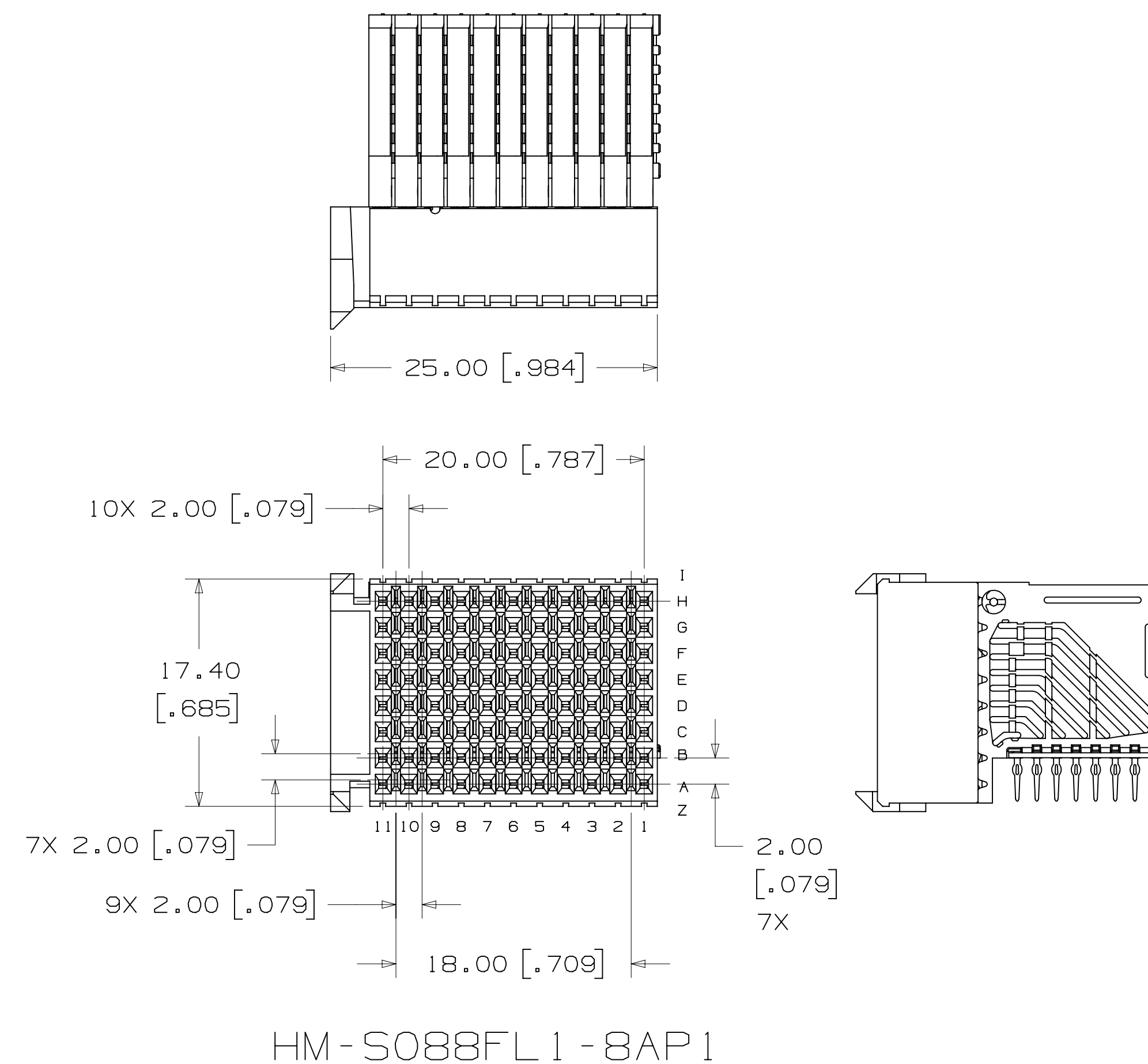
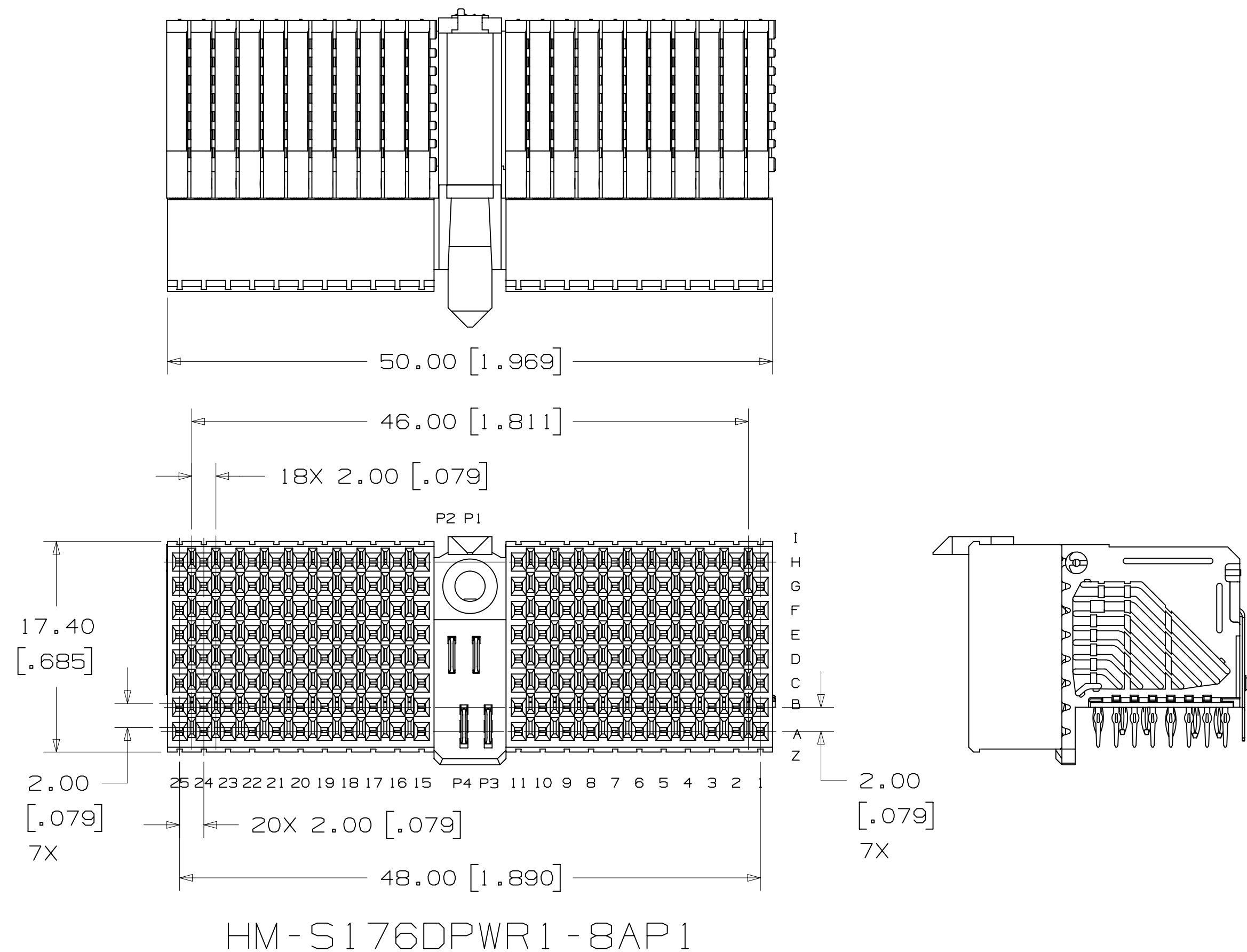
DESIGN REFERENCE	NEXT ASSEMBLY	DIVISION CODE
Interconnect Solutions	ISD	
DO NOT SCALE DRAWING	SCALE 3/1	TOLERANCES EXCEPT AS NOTED
THIRD ANGLE PROJECTION	INTERPRET PER ASME Y14.5 - 1994	INCHES: .00 ± .01, .000 ± .005, .0000 ±
MAX SURFACE ROUGHNESS	UNMARKED SURFACES	MILLIMETERS: 0 ± .3, .00 ± .13, .000 ±
MARKED ONLY	ANGLES	

3M Center St. Paul, MN 55144	© 3M COPYRIGHT 2012 This document and the information it contains are 3M property and may not be reproduced or further distributed without 3M permission, or used or disclosed other than for 3M authorized purposes. All rights reserved.
TITLE	HM PRESS-FIT 8-ROW SOCKET CONNECTORS, HM SERIES
CAGE NUMBER	SIZE DRAWING NO. REV. NUMBER
D	78-5100-2516-2 B
MODEL	DET: [ ] SHT 2 OF 4

78-5100-2516-2  
 DRAWING NUMBER  
 B  
 REVISION  
 A  
 10/7/2013 2:10 PM UTC-05:00  
 Imaged: B.1

3M™ HM PRESS-FIT SOCKET, 8-ROW, HM SERIES  
FOR HARD METRIC APPLICATIONS

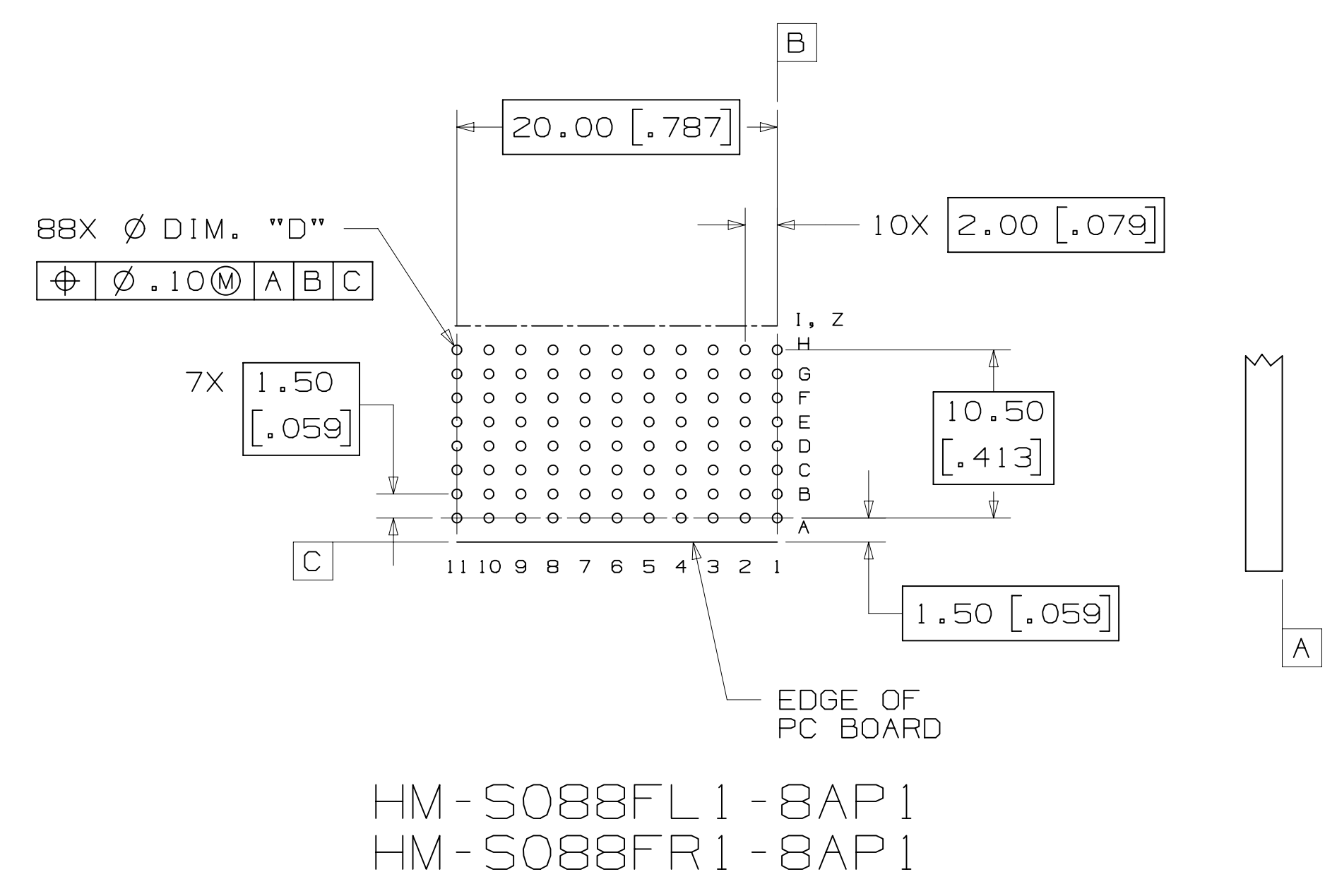
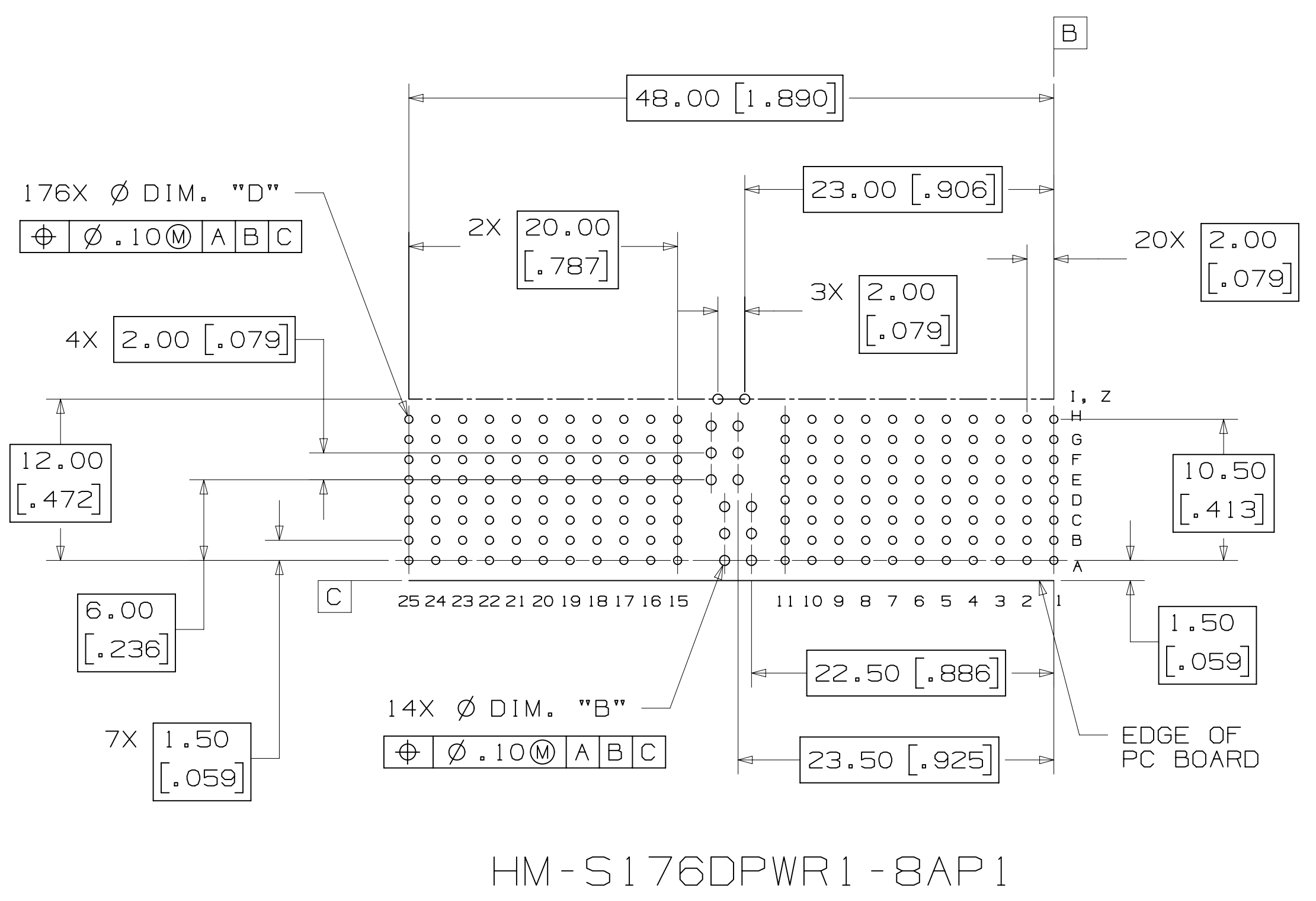
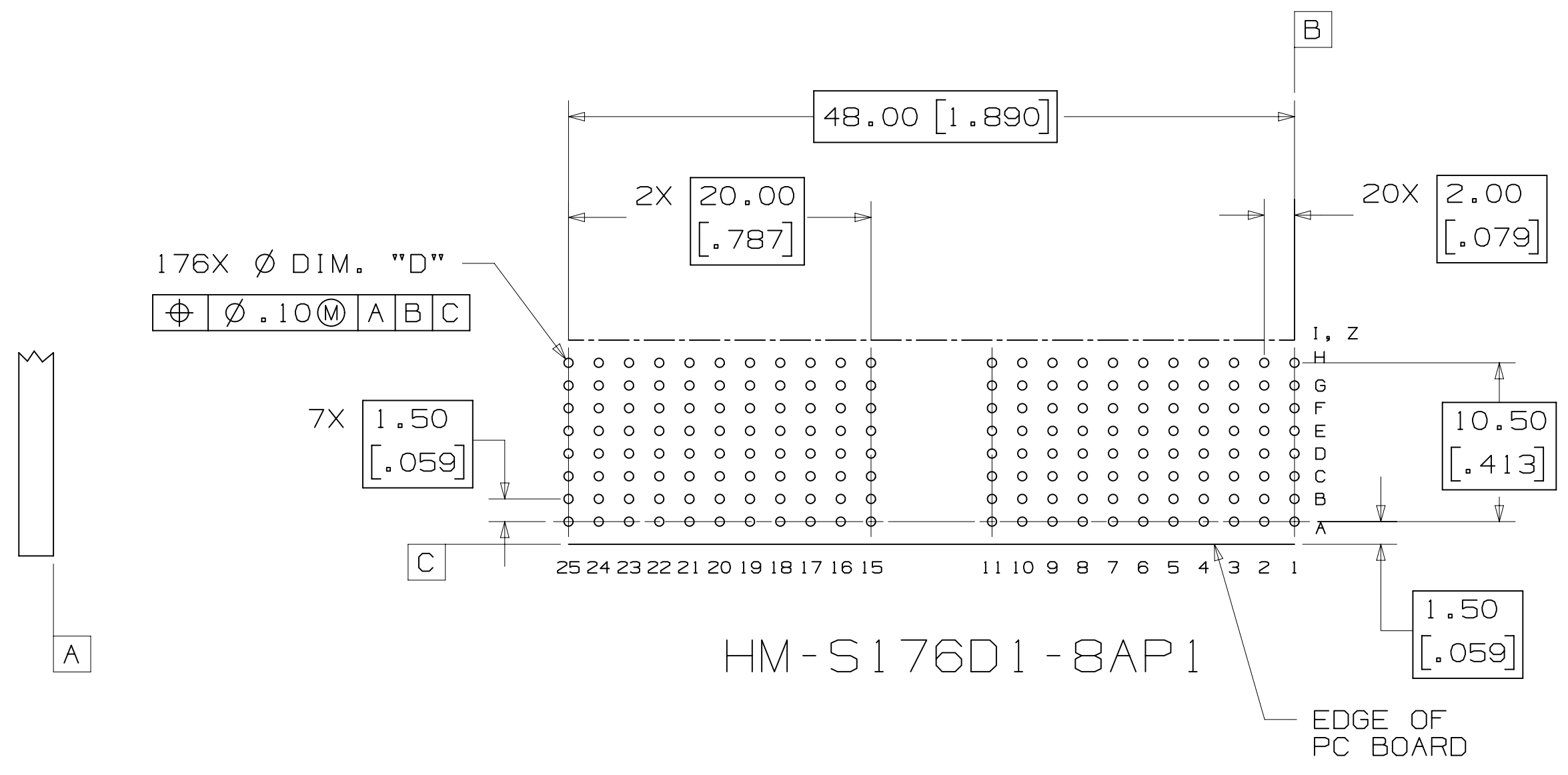
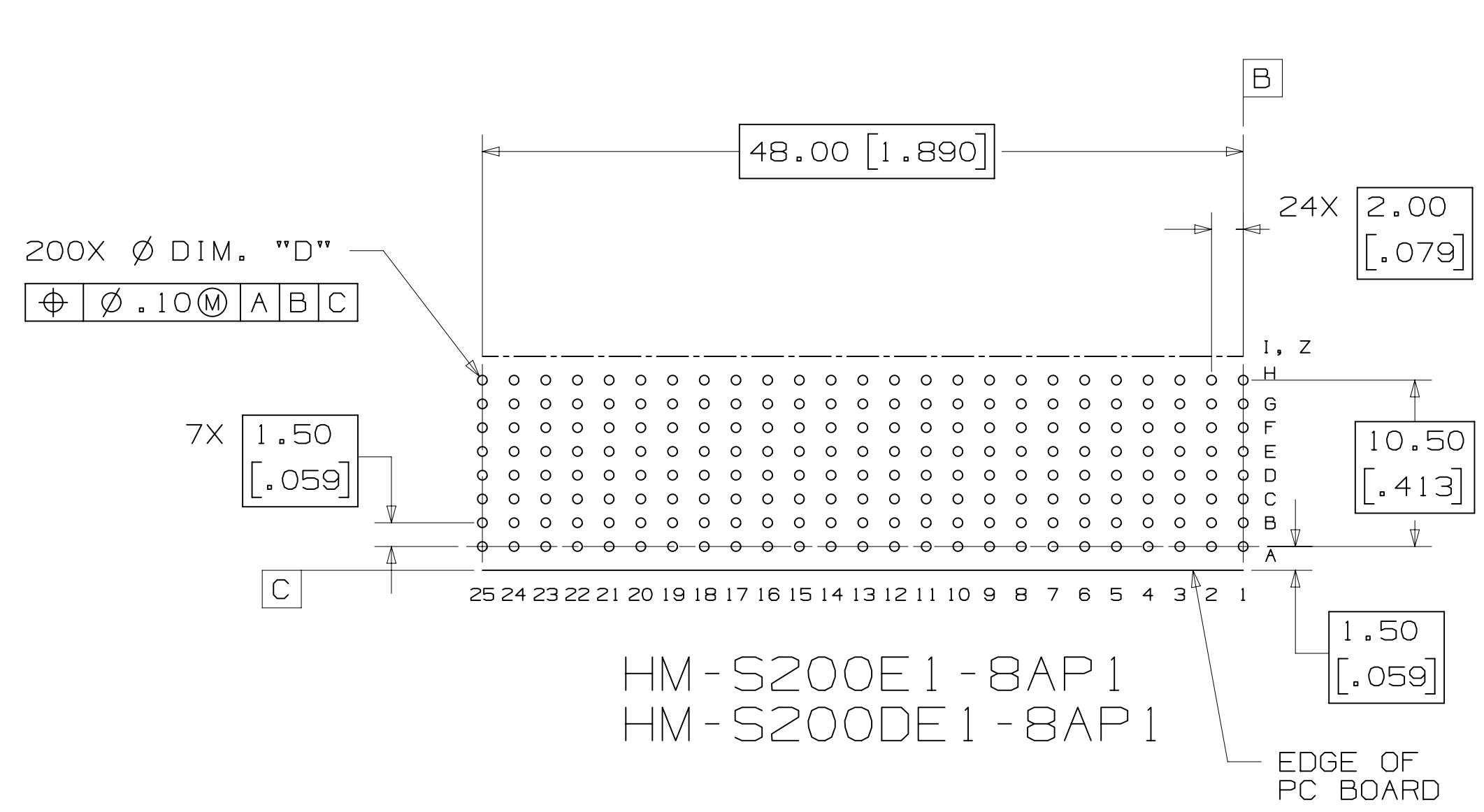


DESIGN REFERENCE	NEXT ASSEMBLY	REV	ECO	ISSUE DATE AND DESCRIPTION	DRFT	CHKD
		CASTIGLIONE	MAR 23, 2012	MFG DATE		
				APPRV T. SUNIGA		MAR 26, 2012
DIVISION	DIVISION CODE	© 3M COPYRIGHT 2012 This document and the information it contains are 3M property and may not be reproduced or further distributed without 3M permission, or used or disclosed other than for 3M authorized purposes. All rights reserved.				
Interconnect Solutions	ISD	TITLE <b>HM PRESS-FIT 8-ROW SOCKET CONNECTORS, HM SERIES</b>				
DO NOT SCALE DRAWING	SCALE 3/1	TOLERANCES EXCEPT AS NOTED INCHES .0 ± .01 .000 ± .005 .0000 ±				
THIRD ANGLE PROJECTION	INTERPRET PER ASME Y14.5 - 1994	MILLIMETERS 0 ± .0 ± .3 .00 ± .13 .000 ±				
MAX SURFACE ROUGHNESS	DT SURFACES	CAGE NUMBER <b>D78-5100-2516-2</b>				
MARKED ONLY	ANGLES	MODEL DET YES <input type="checkbox"/> NO <input type="checkbox"/> SHT 3 OF 4				

B	50345	OCT 07, 2013	JNC	TS
REMOVED KR PLATING. REVISE RIA CALLOUT				
A	39778	MAR 23, 2012	JNC	TS
PRODUCTION RELEASE				
REV	ECO	ISSUE DATE AND DESCRIPTION	DRFT	CHKD

78-5100-2516-2  
 DRAWING NUMBER  
 B  
 REVISION  
 A  
 10/7/2013 2:10 PM UTC-05:00  
 Imaged: B.1

3M™ HM PRESS-FIT SOCKET, 8-ROW, HM SERIES  
FOR HARD METRIC APPLICATIONS



RECOMMENDED PCB MOUNTING HOLE PATTERN  
(VIEWED FROM COMPONENT SIDE)

HOLE PLATING TABLE				
HOLE	(FINISHED HOLE)	Cu THICKNESS	SnPb THICKNESS	DRILLED HOLE DIA.
DIM. "B"	.690-.790 [.0270-.0310]	.025-.045 [.0010-.0018]	.008-.018 [.0003-.0007]	.810-.860 [.0320-.0340]
DIM. "D"	.550-.650 [.0217-.0256]	.025-.045 [.0010-.0018]	.008-.018 [.0003-.0007]	.686-.727 [.0270-.0286]

DESIGN REFERENCE	NEXT ASSEMBLY	REV	ECO	ISSUE DATE AND DESCRIPTION	DRFT	CHKD
				MAR 23, 2012		
DIVISION		DIVISION CODE		DATE		
Interconnect Solutions		ISD		MAR 26, 2012		
DO NOT SCALE DRAWING	SCALE 3/1	TOLERANCES EXCEPT AS NOTED		DATE		
THIRD ANGLE PROJECTION		INCHES		DATE		
INTERPRET PER ASME Y14.5 - 1994		MILLIMETERS		DATE		
MAX SURFACE ROUGHNESS		INCHES		DATE		
SURFACES		MILLIMETERS		DATE		
MARKED ONLY		ANGLES		DATE		

REV	ECO	ISSUE DATE AND DESCRIPTION	DRFT	CHKD
A		MAR 23, 2012	JNC	TS
B	50345	OCT 07, 2013 REMOVED KR PLATING. REVISE RIA CALLOUT	JNC	TS

3M Center  
St. Paul, MN 55144

© 3M COPYRIGHT 2012  
This document and the information it contains are 3M property and may not be reproduced or further distributed without 3M permission, or used or disclosed other than for 3M authorized purposes. All rights reserved.

TITLE: HM PRESS-FIT 8-ROW SOCKET CONNECTORS, HM SERIES

CAGE NUMBER: D78-5100-2516-2

REV. B

MODEL: SHT 4 OF 4

78-5100-2516-2  
DRAWING NUMBER  
B  
REVISION  
10/7/2013 2:10 PM UTC-05:00  
Imaged: B.1 10/7/2013 2:10 PM UTC-05:00