

# Customer Information Sheet

DRAWING No.: KF-420XX06

SHEET 2 OF 2

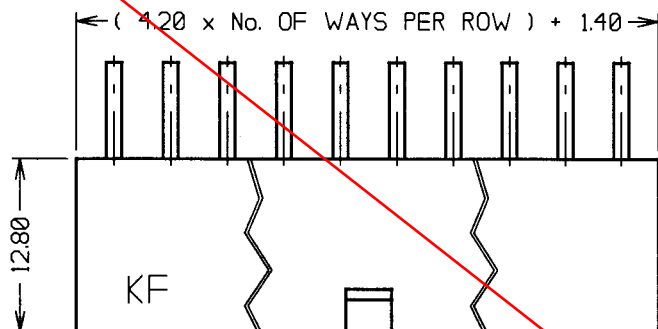
IF IN DOUBT - ASK

(C)

NOT TO SCALE

THIRD ANGLE PROJECTION

ALL DIMENSIONS IN mm



**OBSOLETE**

**SPECIFICATIONS:**

**MATERIALS:**

**MOULDINGS:**

KF-420XX06 - NYLON 66 UL94V-2 BLACK

KF-N420XX06 - NYLON 66 UL94V-2 NATURAL

**CONTACTS - BRASS**

**FINISH:**

CONTACTS - 0.5µ NICKEL, 20µ TIN

**ELECTRICAL:**

No. OF CONTACTS	2-3	4-6	7-10	11-24
CURRENT RATING	9 AMPS	8 AMPS	7 AMPS	6 AMPS

VOLTAGE RATING - 600V

DIELECTRIC WITHSTANDING - 1500V AC

CONTACT RESISTANCE - 10 MILLIOHMS MAX

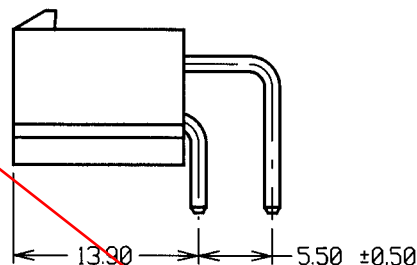
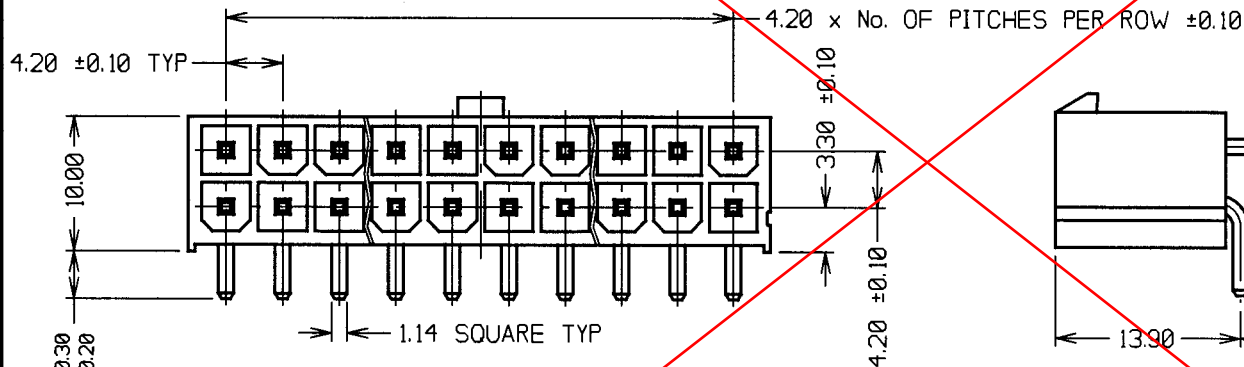
INSULATION RESISTANCE - 1000 MEGOHMS MIN

**MECHANICAL:**

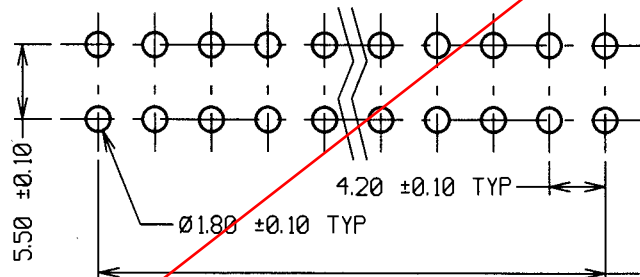
DURABILITY - 30 OPERATIONS

**ENVIRONMENTAL:**

TEMPERATURE RANGE - -40°C TO +105°C  
FOR COMPLETE SPECIFICATION, SEE COMPONENT SPECIFICATION C033XX (LATEST ISSUE).



RECOMMENDED PCB LAYOUT



ORDER CODE:

KF-420XX06  
KF-N420XX06

No. OF WAYS: \_\_\_\_\_  
01 TO 12

5	29.10.00	5544
ISS.	DATE	C/NOTE
APPROVED: <i>[Signature]</i>		
CHECKED: <i>[Signature]</i>		
DRAWN: J. KEIR		
CUSTOMER REF.:		
ASSEMBLY DRG:		

**NOTES:**

1. ALL TOLERANCES TO BE ±0.35 UNLESS OTHERWISE STATED.

**HARWIN**

HARWIN INC  
U.S.A.  
TEL: (812) 285 0055  
FAX: (812) 285 0056

HARWIN PLC  
UK.  
TEL: 023 9231 4545  
FAX: 023 9231 4590

HARWIN PTE  
SINGAPORE  
TEL: 65 7794909  
FAX: 65 7793868

THIS DRAWING AND ANY INFORMATION OR DESCRIPTIVE MATTER SET OUT HEREON ARE CONFIDENTIAL AND COPYRIGHT PROPERTY OF THE HARWIN GROUP AND MUST NOT BE DISCLOSED, LOANED, COPIED OR USED FOR MANUFACTURING, TENDERING OR FOR ANY OTHER PURPOSE WITHOUT THEIR WRITTEN PERMISSION.

**TOLERANCES**  
X. - ±1mm  
X.X - ±0.25mm  
X.XX - ±0.10mm  
X.XXX - ±0.01mm  
ANGLES - ±1°  
UNLESS STATED

**MATERIAL:**  
SEE ABOVE  
**FINISH:** SEE ABOVE  
**S/AREA:** mm<sup>2</sup>

**TITLE:** POWERFIT®  
4.2mm PITCH DIL MALE HORIZONTAL CONNECTOR  
**DRAWING NUMBER:** KF-420XX06

SHT  
2  
OF  
2

# Customer Information Sheet

DRAWING No.: KF-N4200146

SHEET 2 OF 2

IF IN DOUBT - ASK

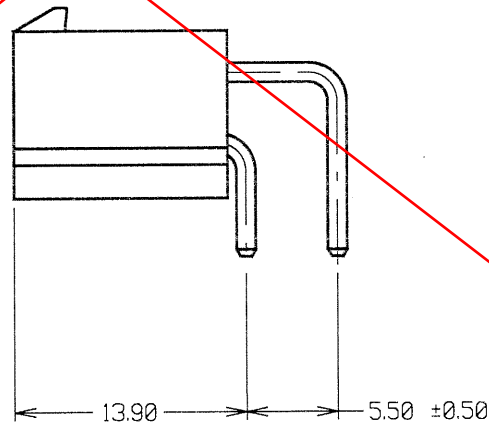
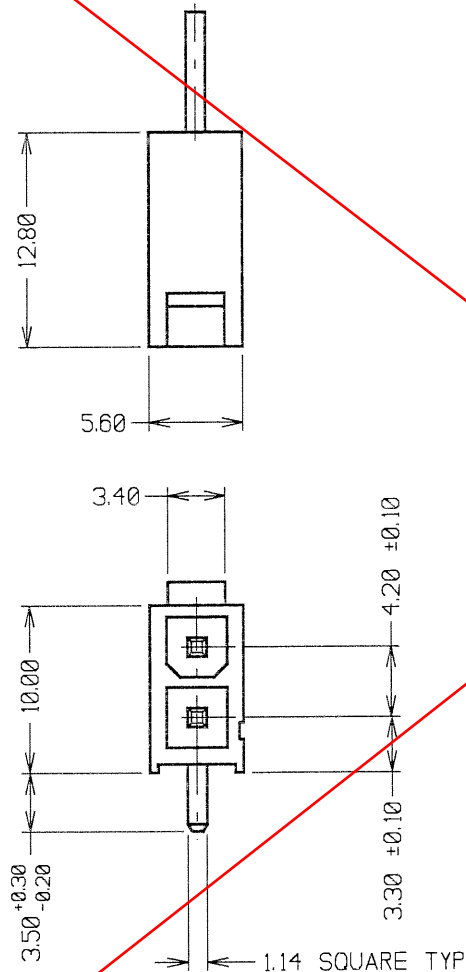
©

NOT TO SCALE

THIRD ANGLE PROJECTION

ALL DIMENSIONS IN mm

**OBSOLETE**



**SPECIFICATIONS:**

**MATERIALS:**

MOULDING - NYLON 66 UL94V-2 NATURAL  
CONTACTS = BRASS

**FINISH:**

CONTACTS - 2.0µ 100% TIN OVER 0.5µ NICKEL

**ELECTRICAL:**

CURRENT RATING - 9 AMPS

VOLTAGE RATING - 600V

DIELECTRIC WITHSTANDING = 1500V AC

CONTACT RESISTANCE = 10 MILLIOHMS MAX

INSULATION RESISTANCE = 1000 MEGOHMS MIN

**MECHANICAL:**

DURABILITY = 30 OPERATIONS

**ENVIRONMENTAL:**

TEMPERATURE RANGE = -40°C TO +105°C

FOR COMPLETE SPECIFICATION, SEE COMPONENT SPECIFICATION C033XX (LATEST ISSUE).

**NOTES:**

1. ALL TOLERANCES ARE ±0.35 UNLESS OTHERWISE STATED
2. RECOMMENDED HOLE SIZE =  $\varnothing 1.80 \pm 0.10$ mm

JMB	1	22.03.06	9108
NAME	ISS.	DATE	C/NOTE
APPROVED: <i>WSS</i>			
CHECKED: <i>WSS</i>			
DRAWN: JM BROOKES			
CUSTOMER REF.:			
ASSEMBLY ORG.:			

**HARWIN**

THIS DRAWING AND ANY INFORMATION OR DESCRIPTIVE MATTER SET OUT HEREON ARE CONFIDENTIAL AND COPYRIGHT PROPERTY OF THE HARWIN GROUP AND MUST NOT BE DISCLOSED, LOANED, COPIED OR USED FOR MANUFACTURING, TENDERING OR FOR ANY OTHER PURPOSE WITHOUT THEIR WRITTEN PERMISSION.

**TOLERANCES**  
X. = ±1mm  
X.X = ±0.25mm  
X.XX = ±0.10mm  
X.XXX = ±0.01mm  
ANGLES = ±5°  
UNLESS STATED

**MATERIAL:**

SEE ABOVE

FINISH: SEE ABOVE

S/AREA:

mm<sup>2</sup>

**TITLE:**

POWERFIT®  
4.2mm PITCH DIL MALE  
HORIZONTAL CONNECTOR

DRAWING NUMBER:

KF-N4200146

HARWIN USA  
TEL: 603 893 5376  
FAX: 603 893 5396  
mis@harwin.com

HARWIN Europe (UK)  
TEL: 023 9231 4545  
FAX: 023 9231 4590  
mis@harwin.co.uk

HARWIN Asia  
TEL: +65 6 779 4909  
FAX: +65 6 779 3868  
mis@harwin.com.sg

SHT  
2 OF  
2