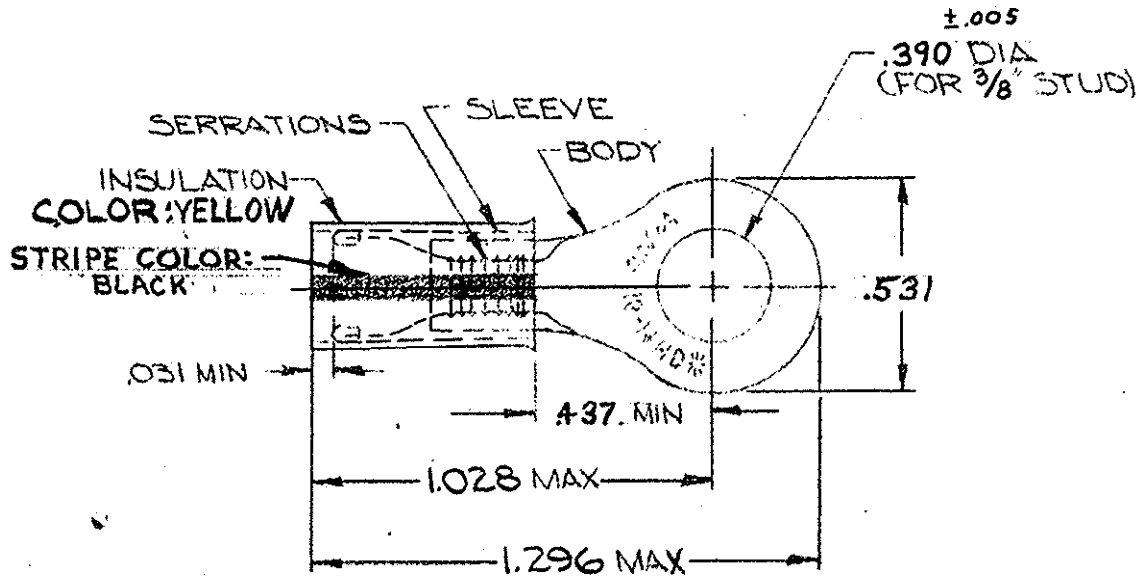


LTR	DESCRIPTION	DATE	DWN	APVD
F	REVISED PER ECO-14-015277	25FEB2015	NK	DR



- 1 TONGUE MATERIAL THK = .048<sup>±.002</sup>
- 2 FOR .150 TO .230 WIRE INSULATION DIA

2,500	WIRE TERMINAL ON TAPE	330896-2	SAME AS 330896
500	WIRE TERMINAL	330896	INSULATION: NYLON (MIL-M-20693) TYPE I. SLEEVE: COPPER (QQ-C-576) TIN PL (MIL-T-10727) BODY: COPPER (QQ-C-576) TIN PL (MIL-T-10727)
QTY	DESCRIPTION	PART NO.	MATERIAL & FINISH

UNLESS OTHERWISE SPECIFIED DIMENSIONS ARE IN INCHES  
TOLERANCES ON:  
DECIMALS ±.008  
ANGLES ± 5°

MATERIAL  
SEE TABLE

CONTRACT NO. ---#---

DR. *Stens/Kautz* 1-31-69


CHK. *R. Wolfe* 2-17-69

APPD. *Swabel* 2-25-69

REL. *Am. Engineering* 2/26/69

DSGN APPD

OTHER APPD



TE Connectivity

NAME: WIRE TERMINAL PIDG - RING TONGUE WIRE SIZE: 16-14 H.D.

SIZE	CODE IDENT NO.	NUMBER	REV
A	00779	C-330896	F

SCALE: NTS

SHEET 1 OF 1