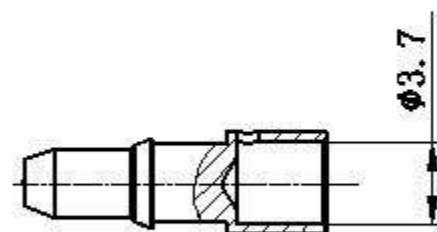
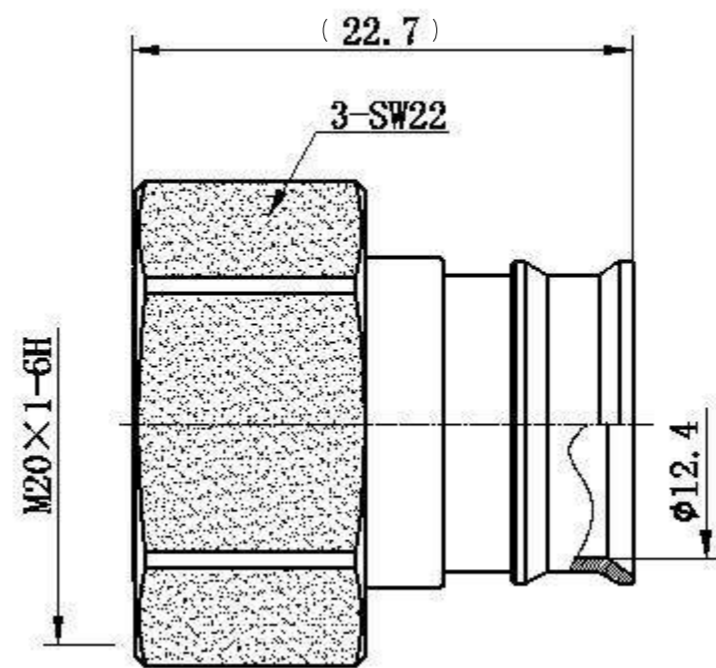
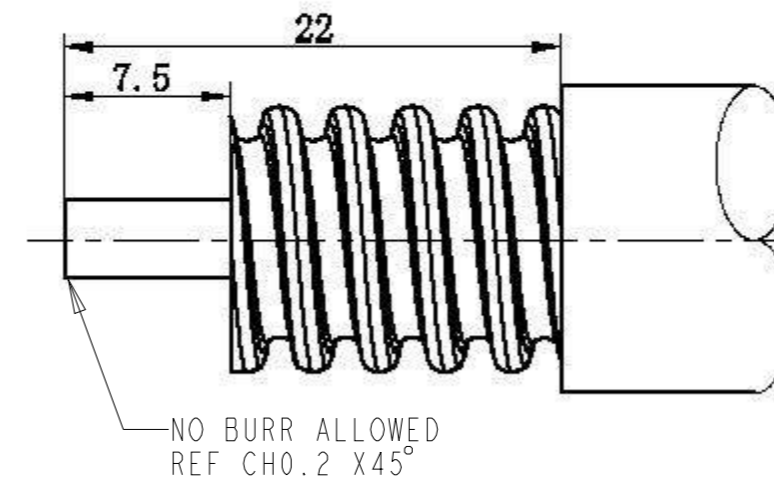


ELECTRICAL	MECHANICAL	ENVIRONMENTAL
IMPEDANCE <u>50 Ohm</u> FREQUENCY RANGE <u>DC to 6GHz</u> INSERTION LOSS: <u>Max. 0.05*SQRT(F) dB</u> VSWR: <u>Max. 1.15@0-3GHz</u> <u>Max. 1.20@3-6GHz</u> DIELECTRIC WITHSTAND VOLTAGE: <u>Max. 2500 V RMS</u> INSULATION RESISTANCE <u>Min. 5000 Mohms</u> PIM3: <u>Max. -160dBc @2x20W, 900MHz, 1800MHz,</u> <u>2100MHz tested with cable</u>	MATING CYCLES: <u>MIN. 100 CYCLES</u> RECOMMENDED TORQUE: <u>5Nm</u> CABLE PULLING: <u>500N MIN.</u> CABLE TORSION: <u>5Nm MAX.</u>	TEMPERATURE RANGE: <u>-40°~+85°C</u> SALT SPRAY: <u>96H</u> INTERFACE SEAL: <u>IP68(1m, 24h) MATED</u> PANEL SEAL: <u>N/A</u>

P	LTR	DESCRIPTION	DATE	DWN	APVD



RECOMMENDED CABLE DIMENSION



NOTE:

1. INTERFACE ACCORDING TO IEC 61169-54
2. CENTER CONTACT IS SPARE PART, AND WILL BE PACKAGED SEPARATELY.

P/N	PART NAME	MATERIAL	PLATING
2081967-1	CENTER CONTACT	BRASS	SILVER
	OUTER CONTACT	BRASS	WHITE BRONZE
	INSULATOR	PTFE	
	O-RING	SILICONE RUBBER	
	OTHERS	BRASS	NICKEL

THIS DRAWING IS A CONTROLLED DOCUMENT.		DWN JZ	10MAR2020														
DIMENSIONS: mm		CHK RZ	10MAR2020														
TOLERANCES UNLESS OTHERWISE SPECIFIED:		APVD RS	10MAR2020	NAME 4.3-10 STRAIGHT PLUG, SCREW FOR 1/2 SUPERFLEX CABLE SOLDER TYPE													
<table border="1"> <tr><td>0 PLC</td><td>±0.3</td></tr> <tr><td>1 PLC</td><td>±0.2</td></tr> <tr><td>2 PLC</td><td>±0.10</td></tr> <tr><td>3 PLC</td><td>±0.1000</td></tr> <tr><td>4 PLC</td><td>±0.1000</td></tr> <tr><td>ANGLES</td><td>±</td></tr> </table>		0 PLC	±0.3	1 PLC	±0.2	2 PLC	±0.10	3 PLC	±0.1000	4 PLC	±0.1000	ANGLES	±	PRODUCT SPEC 108-115175		SIZE A3	
0 PLC	±0.3																
1 PLC	±0.2																
2 PLC	±0.10																
3 PLC	±0.1000																
4 PLC	±0.1000																
ANGLES	±																
MATERIAL SEE TABLE		APPLICATION SPEC 408-160010		CAGE CODE 00779	DRAWING NO C-2081967												
FINISH SEE TABLE		WEIGHT 26g		RESTRICTED TO -													
CUSTOMER DRAWING				SCALE 1:1	SHEET 1 OF 2												
				REV A													

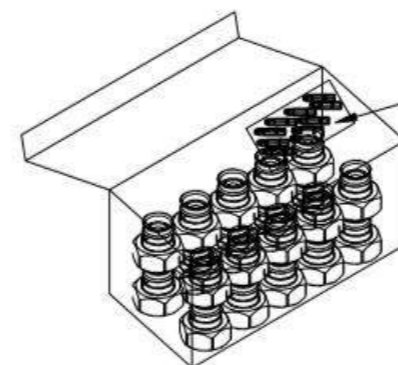
REVISIONS

P	LTR	DESCRIPTION	DATE	DWN	APVD



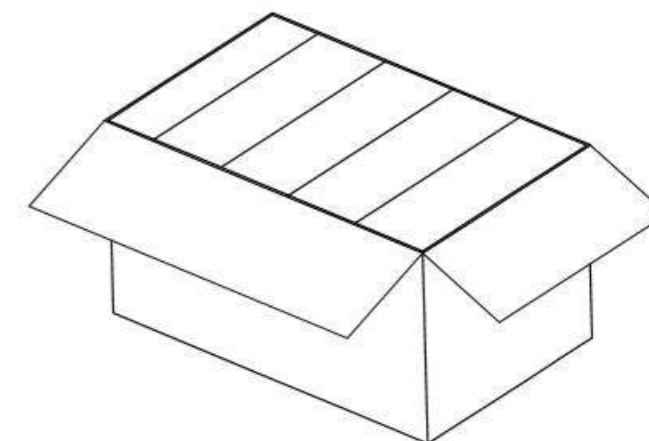
VACUUM PACKING BAG

VACUUM PACKING (5PCS/BAG)

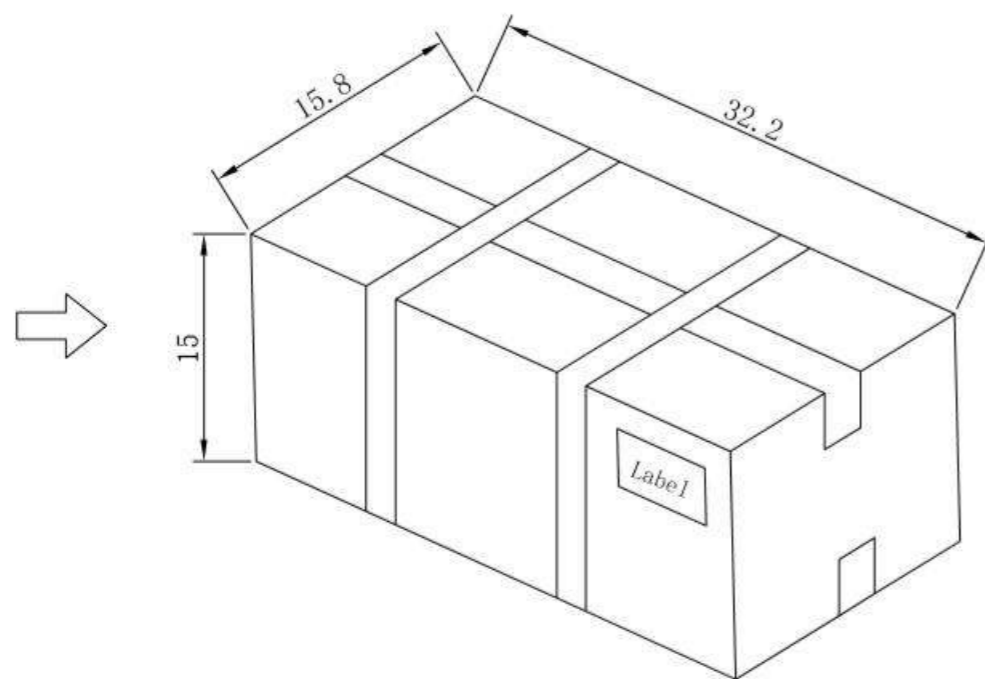


SPARE PARTS (20PCS/BAG)

INNER BOX (20PCS/BOX)



OUTER BOX (200PCS/BOX)

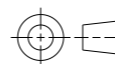


PACKAGE

(BOX SIZE ONLY FOR REFERENCE, UNIT: CM)

THIS DRAWING IS A CONTROLLED DOCUMENT.

DIMENSIONS:
mm



TOLERANCES UNLESS OTHERWISE SPECIFIED:

0 PLC	±0.3
1 PLC	±0.2
2 PLC	±0.10
3 PLC	±0.1000
4 PLC	±0.1000
ANGLES	±

MATERIAL
SEE TABLE

FINISH
SEE TABLE

DWN 10MAR2020

CHK JZ

CHK RZ

APVD 10MAR2020

RS

PRODUCT SPEC

108-115175

APPLICATION SPEC

408-160010

WEIGHT

26g



NAME
4.3-10 STRAIGHT PLUG, SCREW
FOR 1/2 SUPERFLEX CABLE
SOLDER TYPE

SIZE	CAGE CODE	DRAWING NO	RESTRICTED TO
------	-----------	------------	---------------

A3	00779	C-2081967	-
----	-------	-----------	---

CUSTOMER DRAWING

SCALE 1:1 SHEET 2 OF 2 REV A