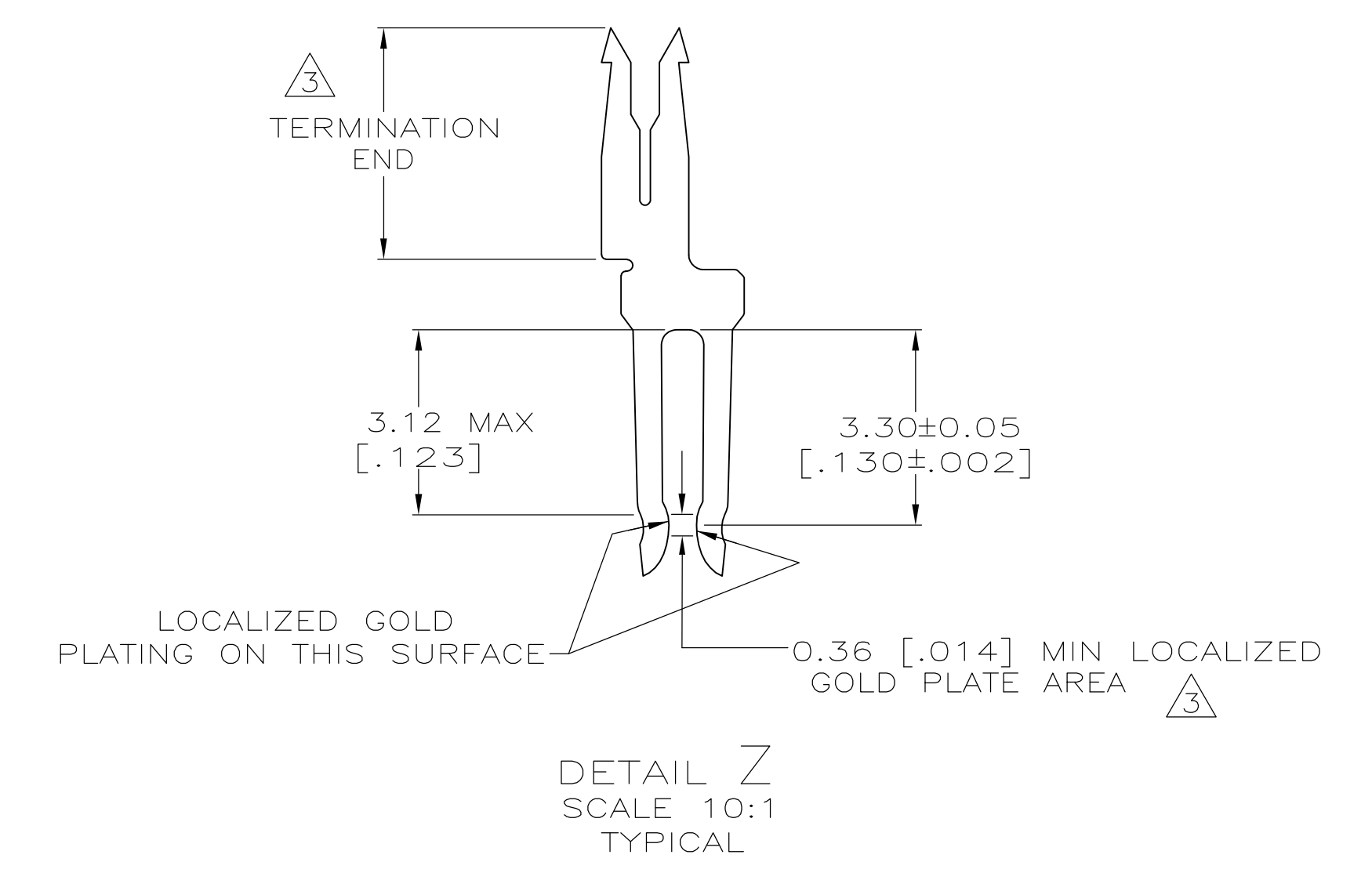
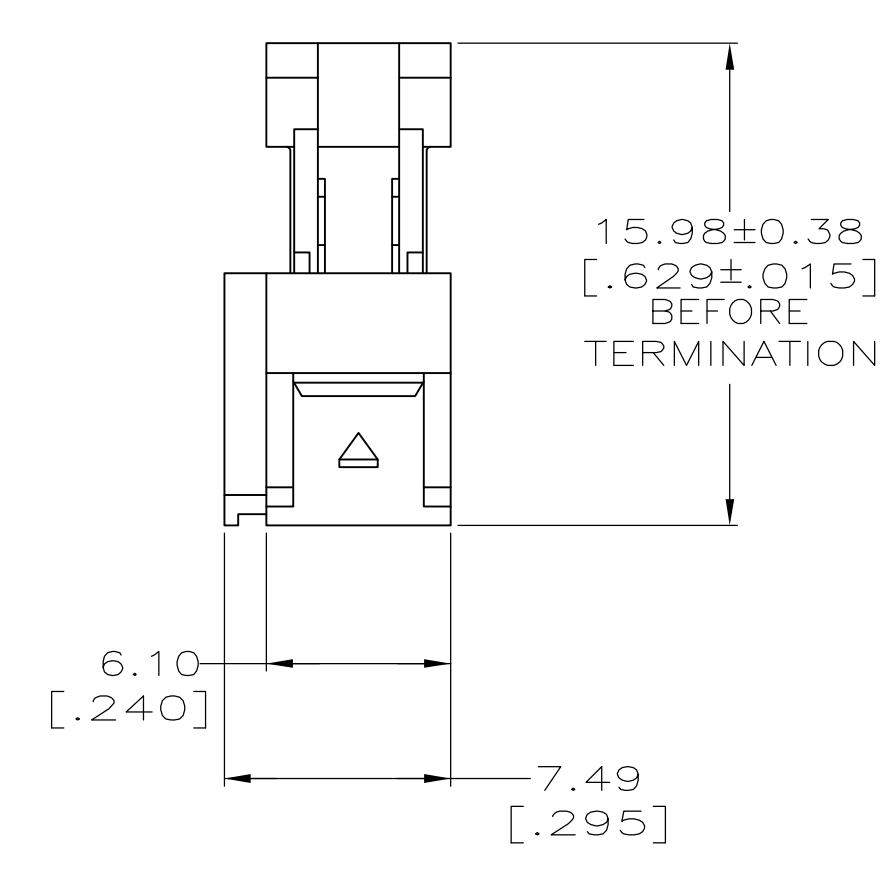
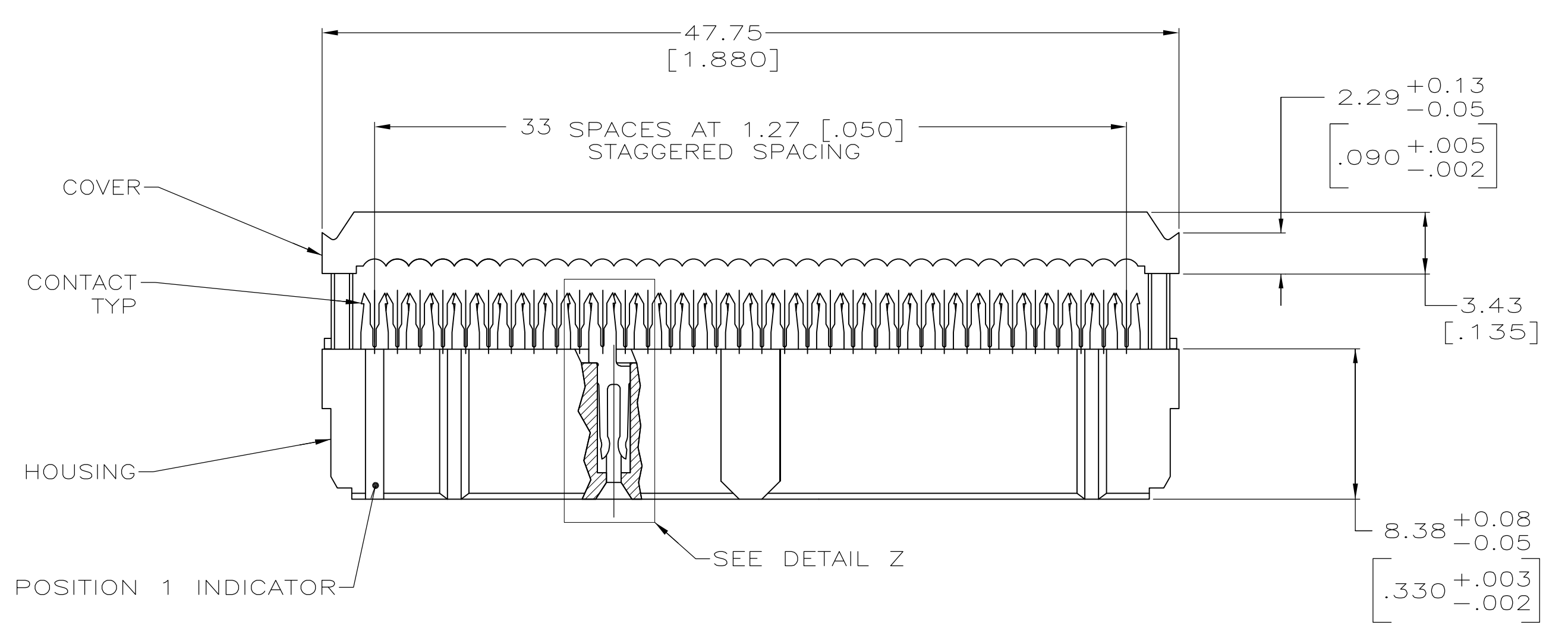
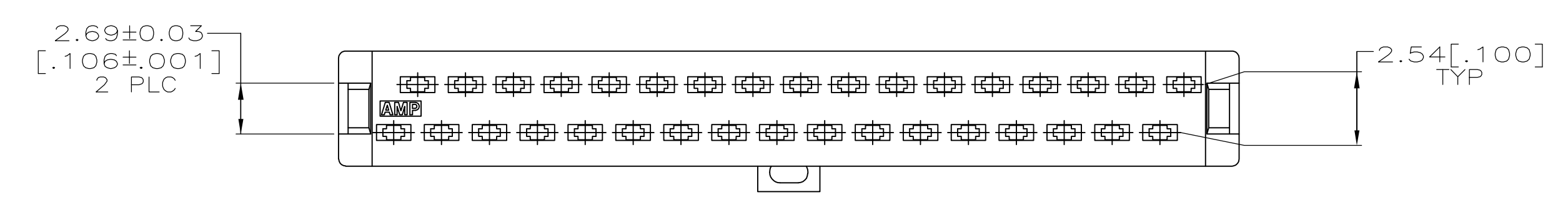
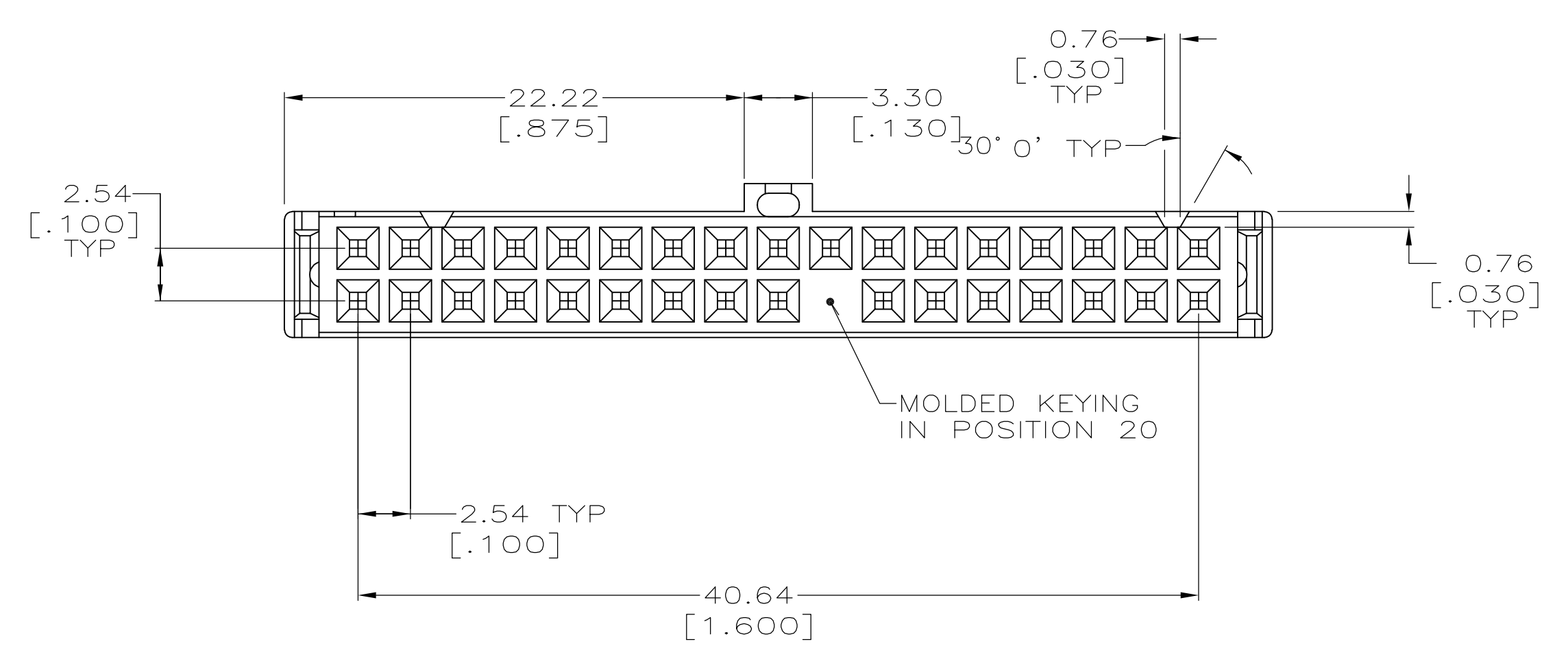


TERMINATED VIEW

- ⚠ MOLDED PARTS: POLYESTER, BLACK, UL RATED 94V-0.
- ⚠ CONTACTS: PHOSPHOR BRONZE PER QQ-B-750.
- ⚠ CONTACTS: PLATED WITH 0.76μm [.000030] MIN GOLD IN LOCALIZED GOLD PLATE AREA, 1.27μm [.000050] MIN TIN ON TERMINATION END, ALL OVER 1.27μm [.000050] MIN NICKEL ON ENTIRE CONTACT.
OR
GOLD FLASH OVER PALLADIUM-NICKEL PLATE 0.76μm [.000030] MIN TOTAL IN LOCALIZED GOLD PLATE AREA, 1.27μm [.000050] MIN TIN ON TERMINATION END, ALL OVER 1.27μm [.000050] MIN NICKEL ON ENTIRE CONTACT.



DETAIL Z
SCALE 10:1
TYPICAL



34	5111953-8
NO OF POSN	PART NUMBER

THIS DRAWING IS A CONTROLLED DOCUMENT.		DRN EJ MCMMASTER 10JUNE04	Tyco Electronics Corporation Harrisburg, PA 17105-3608	
DIMENSIONS: mm [INCHES]		CHK C ROHDE 10JUNE04	NAME M WALMSLEY 10JUNE04	
TOLERANCES UNLESS OTHERWISE SPECIFIED:		PRODUCT SPEC 108-40000		
0 PLC ± -		APPLICATION SPEC 114-40005		
1 PLC ± -		SIZE A1	CAGE CODE 00779	DRAWING NO 5111953
2 PLC ± 0.13 [.005]		RESTRICTED TO	-	
3 PLC ± -		CUSTOMER DRAWING		
4 PLC ± -		SCALE 4:1	SHEET 1 OF 1	REV B
ANGLES ± 0°30'				
FINISH SEE NOTES				