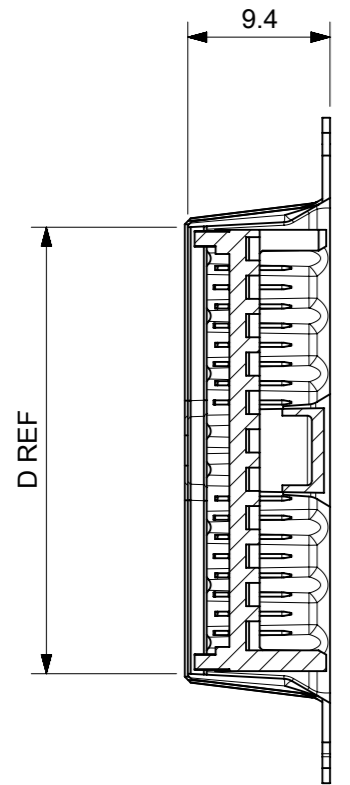
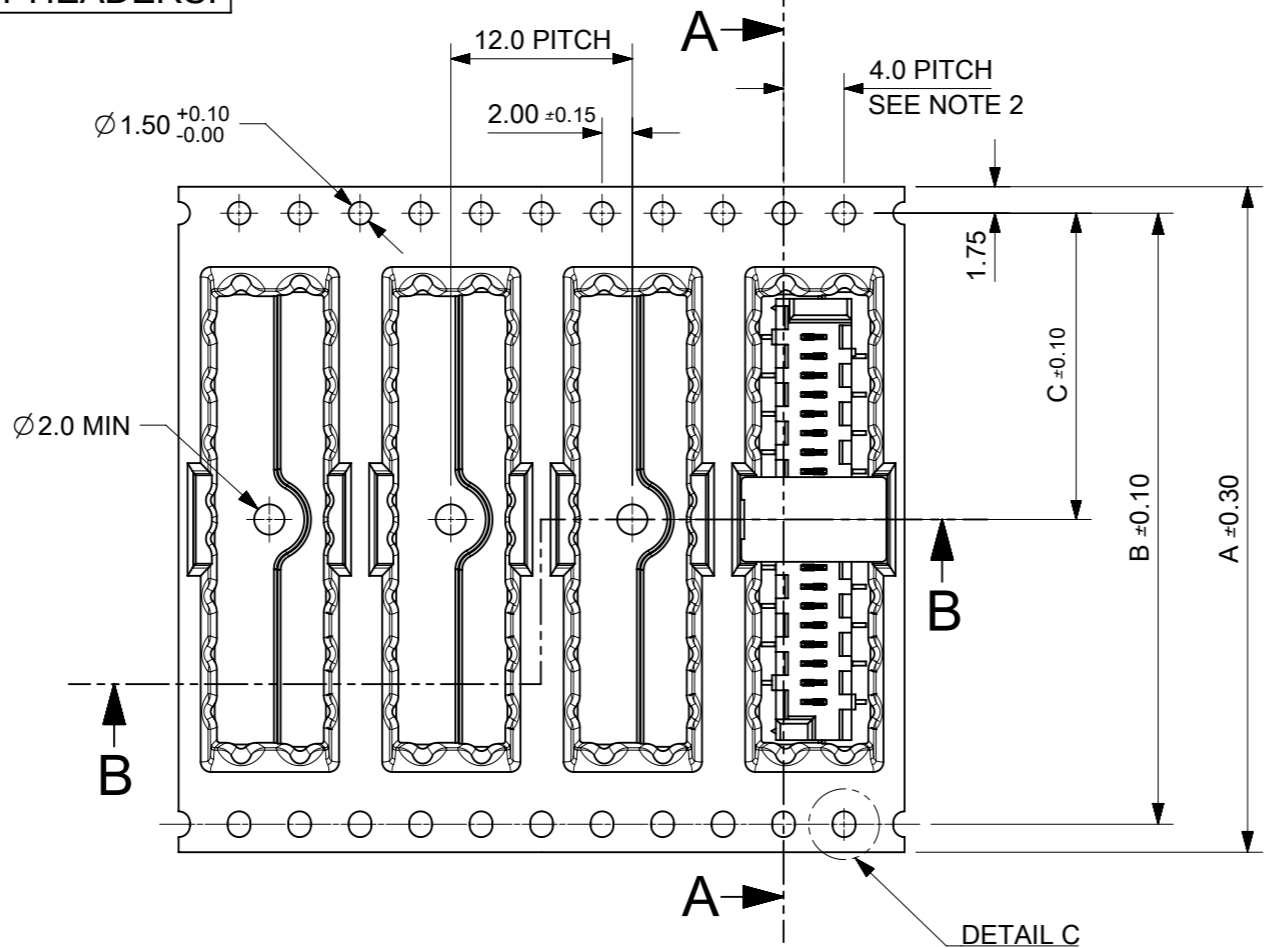


CARRIER TAPE FOR STANDARD SMT HEADERS.

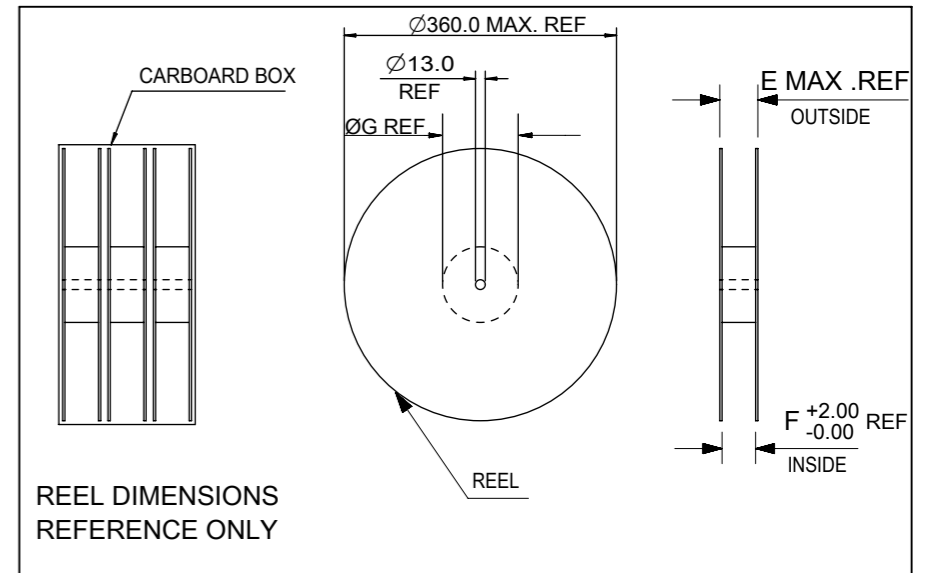


SECTION A-A



DETAIL C

PART NUMBER	NO. OF CKTS	DIM A	DIM B	DIM C	DIM D	DIM E	DIM F	DIM G	PIECES PER BOX	REELS PER BOX	PIECES PER REEL
90814-*220/*520	20	44.0	40.4	20.2	29.5	50.4	44.4	100.0	1800	3	600
90814-*218/*518	18										
90814-*216/*516	16										
90814-*214/*514	14										
90814-*212/*512	12										
90814-*210/*510	10										
90814-*208/*508	8										
90814-*206/*506	6										
90814-*204/*504	4										

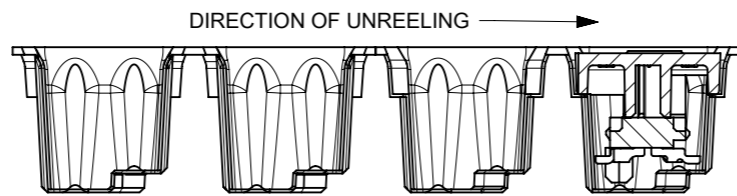
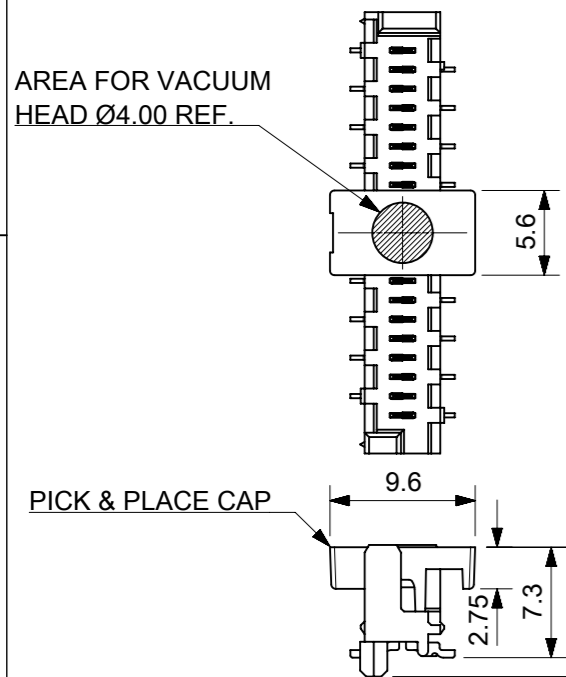


STANDARD SMT PICOFLEX COMPONENT & CAP DETAIL
PART NUMBERS 90814-*2**/*5**

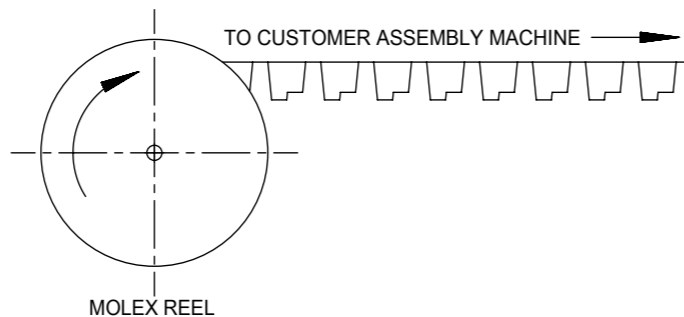
SEE DRAWING NO. SDA-90814 FOR COMPONENT DETAIL

AREA FOR VACUUM HEAD Ø4.00 REF.

PICK & PLACE CAP



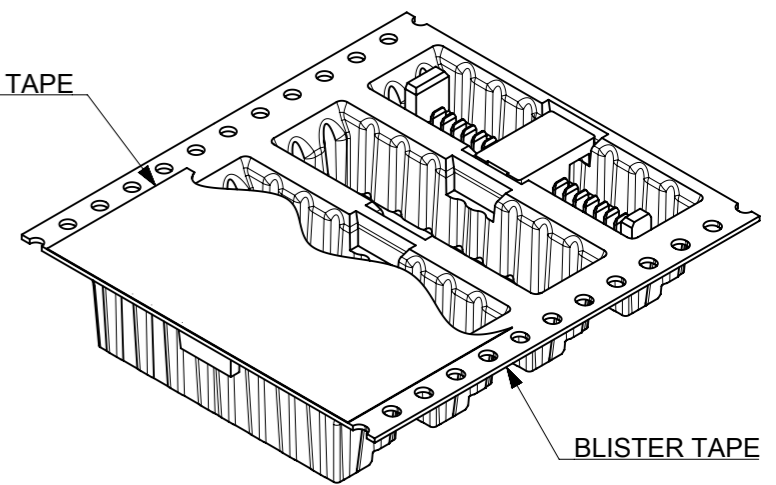
SECTION B-B



DETAIL C
SCALE 10:1

COVER TAPE

BLISTER TAPE



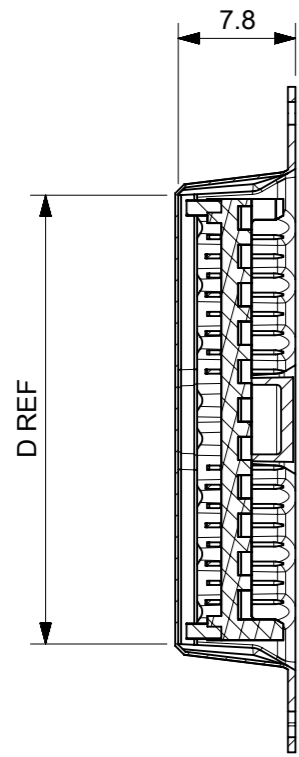
NOTES:

- MATERIAL:
CARRIER TAPE: VOLUME NON-CONDUCTIVE ANTISTATIC COATED POLYSTYRENE, 0.4 mm REF. THICK, CLEAR.
COVER TAPE: COLD SEAL POLYESTER, 0.06 mm REF. THICK, TRANSPARENT.
- PITCH TOLERANCE OVER ANY 10 PITCHES ±0.2 mm.
- ALL CAVITY WALLS HAVE DRAFT ANGLE UNLESS STATED OTHERWISE.
- ALL INTERNAL RADII R0.3 MAX.
- PEEL FORCE OF THE COVER TAPE IS 0.1 N TO 1.3 N AT MAXIMUM PEEL SPEED OF 300 mm/MIN, ±10%.
- REFERENCE TO IEC 60286-3.

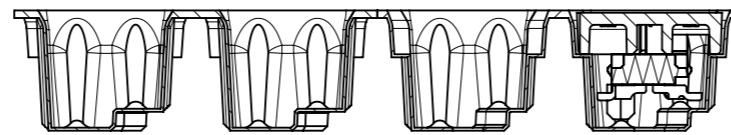
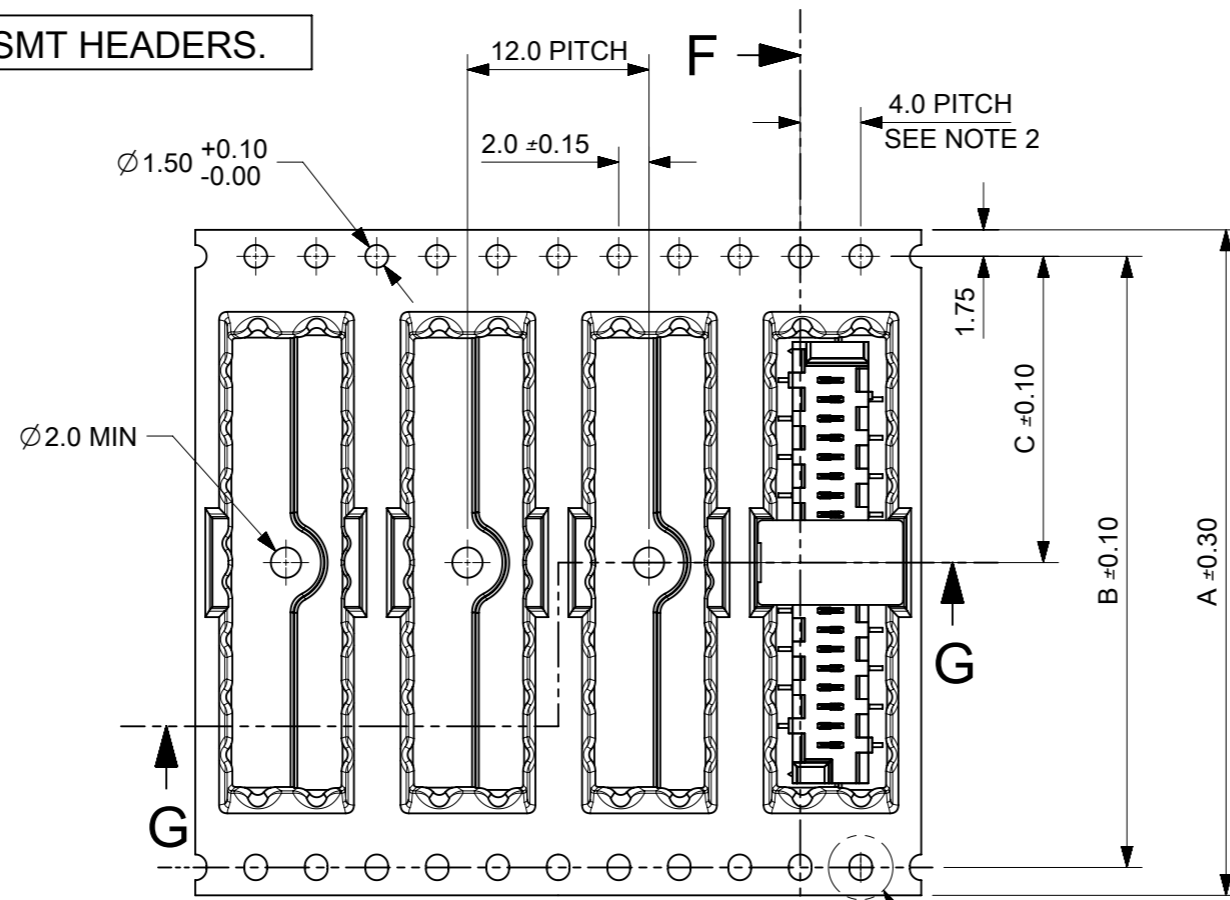
THIS DRAWING CONTAINS INFORMATION THAT IS PROPRIETARY TO MOLEX ELECTRONIC TECHNOLOGIES, LLC AND SHOULD NOT BE USED WITHOUT WRITTEN PERMISSION		CURRENT REV DESC: REVISED		molex	
DIMENSION UNITS	SCALE				
mm	1.5:1			PRODUCT CUSTOMER DRAWING	
GENERAL TOLERANCES (UNLESS SPECIFIED)		EC NO: 169568		DOCUMENT NUMBER	
ANGULAR TOL ± 2.0°		DRWN: BPMURPHY 2017/12/05		908149002	
4 PLACES ±		CHK'D: DSHEA 2018/04/13		DOC TYPE DOC PART REVISION	
3 PLACES ±		APPR: DBYRNES 2018/04/18		PSD 000 B	
2 PLACES ± 0.1		INITIAL REVISION:		MATERIAL NUMBER	
1 PLACE ± 0.2		DRWN: BPMURPHY 2017/09/25		CUSTOMER	
0 PLACES ±		APPR: DBYRNES 2017/11/17		GENERAL MARKET	
DRAFT WHERE APPLICABLE MUST REMAIN WITHIN DIMENSIONS		THIRD ANGLE PROJECTION	DRAWING	SERIES	SHEET NUMBER
			A3-SIZE	90814	1 OF 2

CARRIER TAPE FOR LOW PROFILE SMT HEADERS.

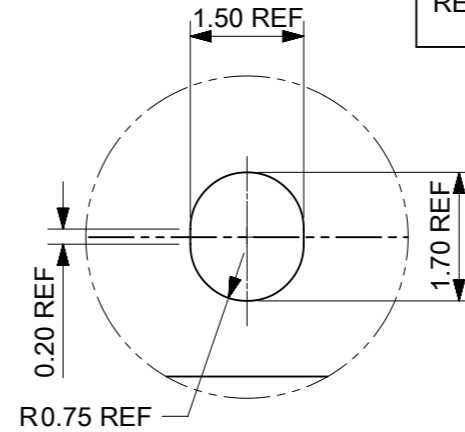
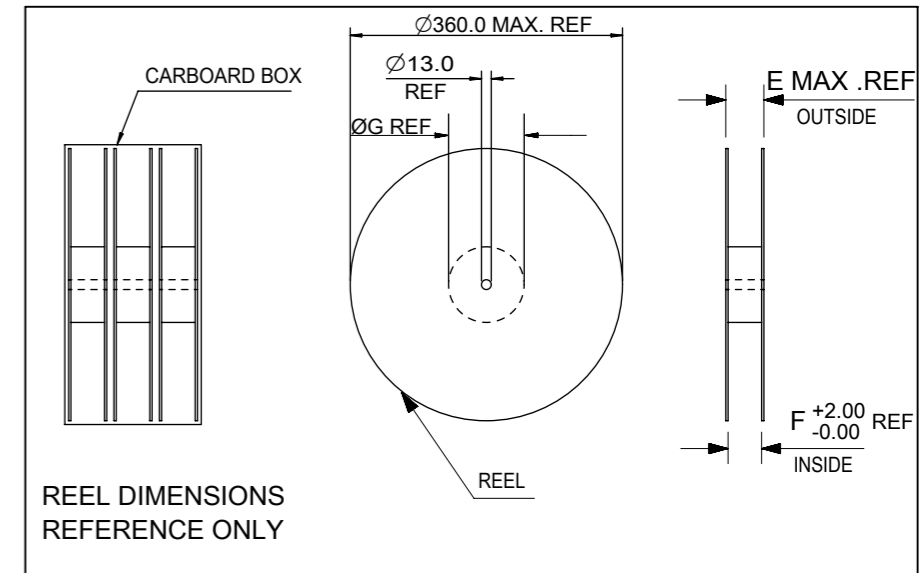
PART NUMBER	NO. OF CKTS	DIM A	DIM B	DIM C	DIM D	DIM E	DIM F	DIM G	PIECES PER BOX	REELS PER BOX	PIECES PER REEL
90814-*720/*920	20										
90814-*718/*918	18										
90814-*716/*916	16										
90814-*714/*914	14										
90814-*712/*912	12	44.0	40.4	20.2	29.5	50.4	44.4	100.0	1800	3	600
90814-*710/*910	10										
90814-*708/*908	8										
90814-*706/*906	6										
90814-*704/*904	4										



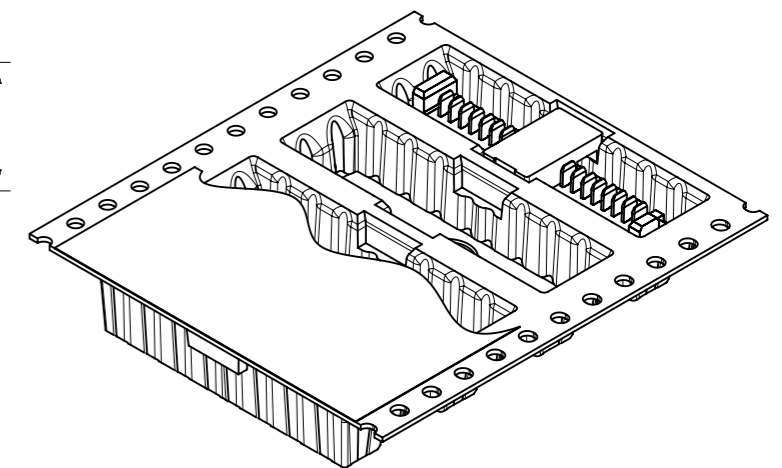
SECTION F-F



SECTION G-G

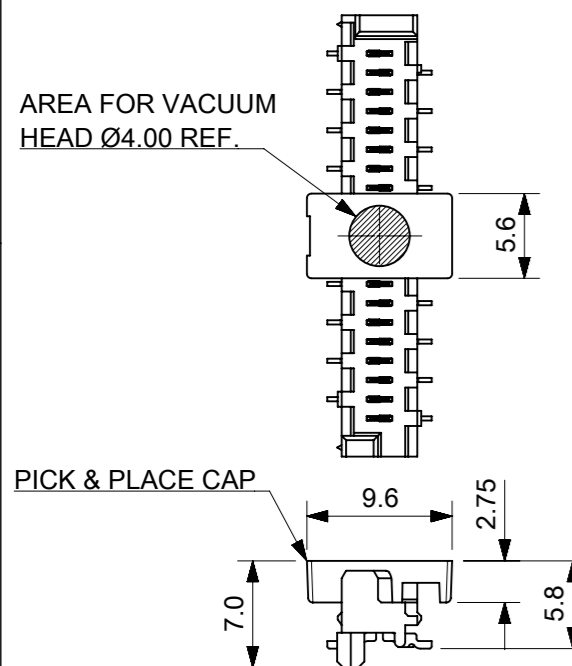


DETAIL H
SCALE 10:1



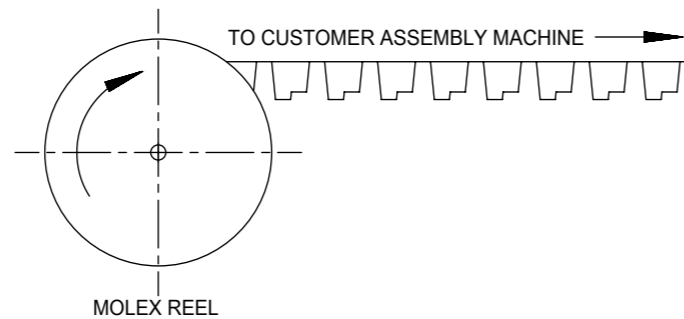
LOW-PROFILE SMT PICOFLEX COMPONENT & CAP DETAIL
PART NUMBERS 90814-*7**/*9**

SEE DRAWING NO. SDA-90814 FOR COMPONENT DETAIL



NOTES:

- MATERIAL:
CARRIER TAPE: VOLUME NON-CONDUCTIVE ANTISTATIC COATED POLYSTYRENE, 0.4 mm REF. THICK, CLEAR.
COVER TAPE: COLD SEAL POLYESTER, 0.06 mm REF. THICK, TRANSPARENT.
- PITCH TOLERANCE OVER ANY 10 PITCHES ±0.2 mm.
- ALL CAVITY WALLS HAVE DRAFT ANGLE UNLESS STATED OTHERWISE.
- ALL INTERNAL RADII R0.3 MAX.
- PEEL FORCE OF THE COVER TAPE IS 0.1 N TO 1.3 N AT MAXIMUM PEEL SPEED OF 300 mm/MIN, ±10%.
- REFERENCE TO IEC 60286-3.



DIMENSION UNITS		SCALE	CURRENT REV DESC: REVISED		
mm		1.5:1			
GENERAL TOLERANCES (UNLESS SPECIFIED)					
ANGULAR TOL	±	2.0°			
4 PLACES	±				
3 PLACES	±				
2 PLACES	±	0.1			
1 PLACE	±	0.2			
0 PLACES	±				
DRAFT WHERE APPLICABLE MUST REMAIN WITHIN DIMENSIONS					
THIRD ANGLE PROJECTION					
DRAWING					
SERIES					
MATERIAL NUMBER					
CUSTOMER					
SHEET NUMBER					
EC NO: 169568					
DRWN: BPMURPHY			2017/12/05		
CHK'D: DSHEA			2018/04/13		
APPR: DBYRNES			2018/04/18		
INITIAL REVISION:					
DRWN: BPMURPHY			2017/09/25		
APPR: DBYRNES			2017/11/17		
DOCUMENT NUMBER			908149002		
DOC TYPE			PSD		
DOC PART			000		
REVISION			B		
SEE TABLE			GENERAL MARKET		
2 OF 2					



- NOTES:
- 1) MATERIAL: HOUSING: NYLON (PA) GLASS FILLED. UL94 V-0, NATURAL (BEIGE)
TERMINAL - CARTRIDGE BRASS 0.28 REF THICK
 - 2) PLATING:
TIN: TIN (Sn) 3-5 MICROMETRE OVER 1.27 MICROMETRE MIN NICKEL(Ni).
GOLD : UNDERPLATED 1.27µm MIN NICKEL
3-5µm TIN SELECTIVE
0.76µm MIN. SELECTIVE GOLD
 - 3) MATES WITH MOLEX 90327 PART SERIES.
 - 4) ALL SMT TAILS TO LIE WITHIN A COPLANARITY BAND OF 0.0 - 0.10 REF. FROM EACH OTHER.
 - 5) FOR TAPE AND REEL PACKAGING SEE 908149001 PSD AND 908149002 PSD.
FOR TUBE PACKAGING SEE PK-90814-001
 - 6) PCB PEGS ARE OPTIONAL.
 - 7) PCB LAYOUT SHOWN ON SHEET 2.
 - 8) PRODUCT SPECIFICATION: PS-99020-0011
 - 9) FOR RECOMMENDED REFLOW PROFILES, REFER TO PS-99020-0011 APPENDIX B

INSPECTION NUMBERS USED ON SHEET 1: 1-50
LAST INSPECTION NUMBER: 16

90814 - * * *
CIRCUIT SIZE

	PCB PEGS	TUBE PACKED	TAPE & REEL PACKED	POLARIZING PEG HEIGHT DIMN. E	
0	YES	YES	NO	6.40	STANDARD
2	YES	NO	YES	6.40	PROFILE
3	NO	YES	NO	6.40	REFLOW
5	NO	NO	YES	6.40	NOTE 9
6	NO	YES	NO	4.10	LOW
7	NO	NO	YES	4.10	PROFILE
8	YES	YES	NO	4.10	REFLOW
9	YES	NO	YES	4.10	NOTE 9

0= 3-5 MICROMETRE TIN VERSION
3= 0.76µm GOLD PLATING

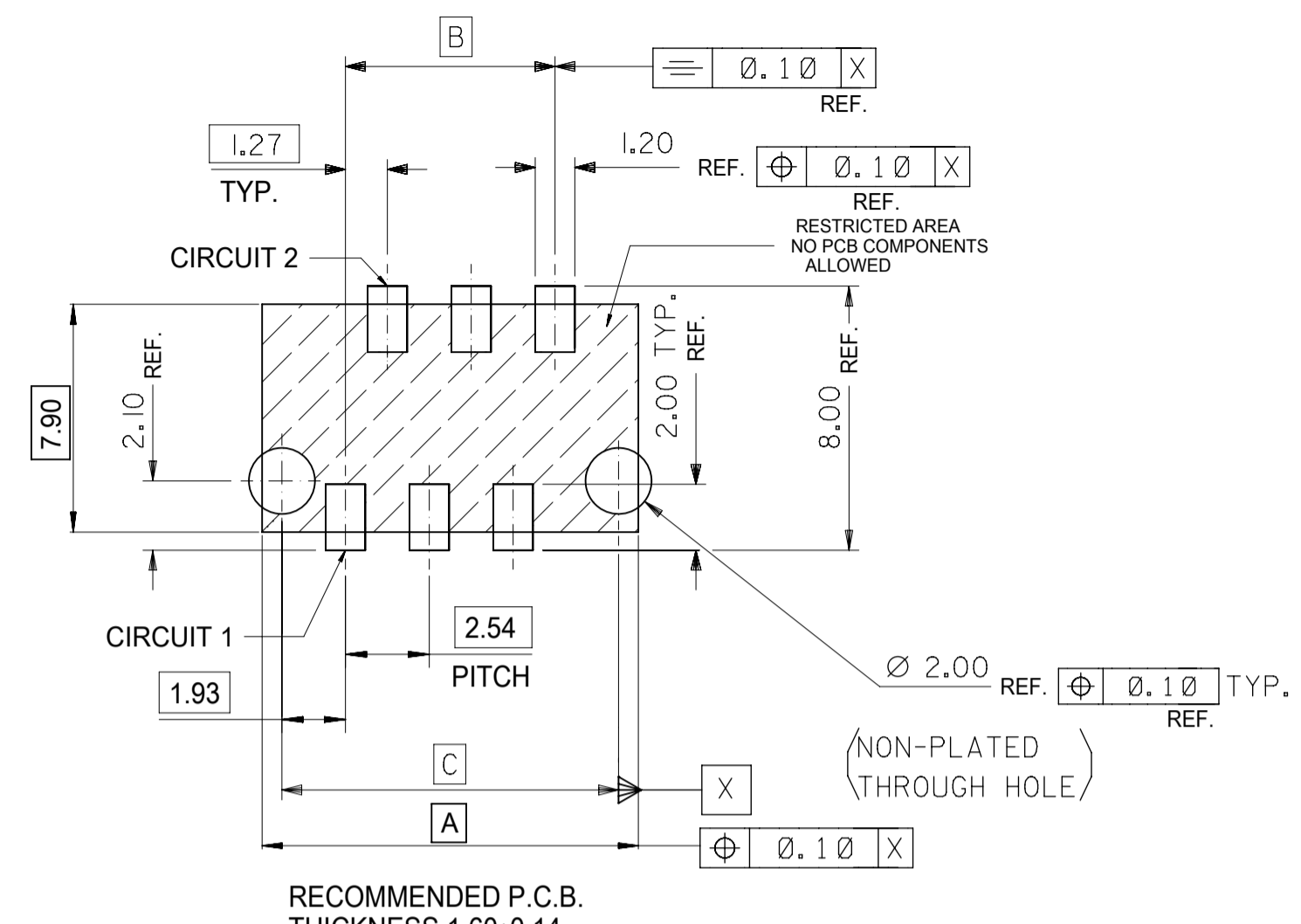
90814-**-26	26	36.80	31.75	35.60	14	YES
90814-**-24	24	34.26	29.21	33.06	15	YES
90814-**-22	22	31.72	26.67	30.52	16	YES
90814-**-20	20	29.18	24.13	27.98	18	YES
90814-**-18	18	26.64	21.59	25.44	20	YES
90814-**-16	16	24.10	19.05	22.90	22	YES
90814-**-14	14	21.56	16.51	20.36	25	YES
90814-**-12	12	19.02	13.97	17.82	28	YES
90814-**-10	10	16.48	11.43	15.28	32	YES
90814-**-08	8	13.94	8.89	12.74	38	YES
90814-**-06	6	11.40	6.35	10.20	46	YES
90814-**-04	4	8.86	3.81	7.66	60	YES
PART NO.	NUMBER OF CKTS	DIMN. A	DIMN. B	DIMN. C	QUANTITY OF PARTS PER TUBE (-*0**/-*3**/-*6** & -*8** VERSIONS)	TOOLED

THIS DRAWING CONTAINS INFORMATION THAT IS PROPRIETARY TO MOLEX ELECTRONIC TECHNOLOGIES, LLC AND SHOULD NOT BE USED WITHOUT WRITTEN PERMISSION

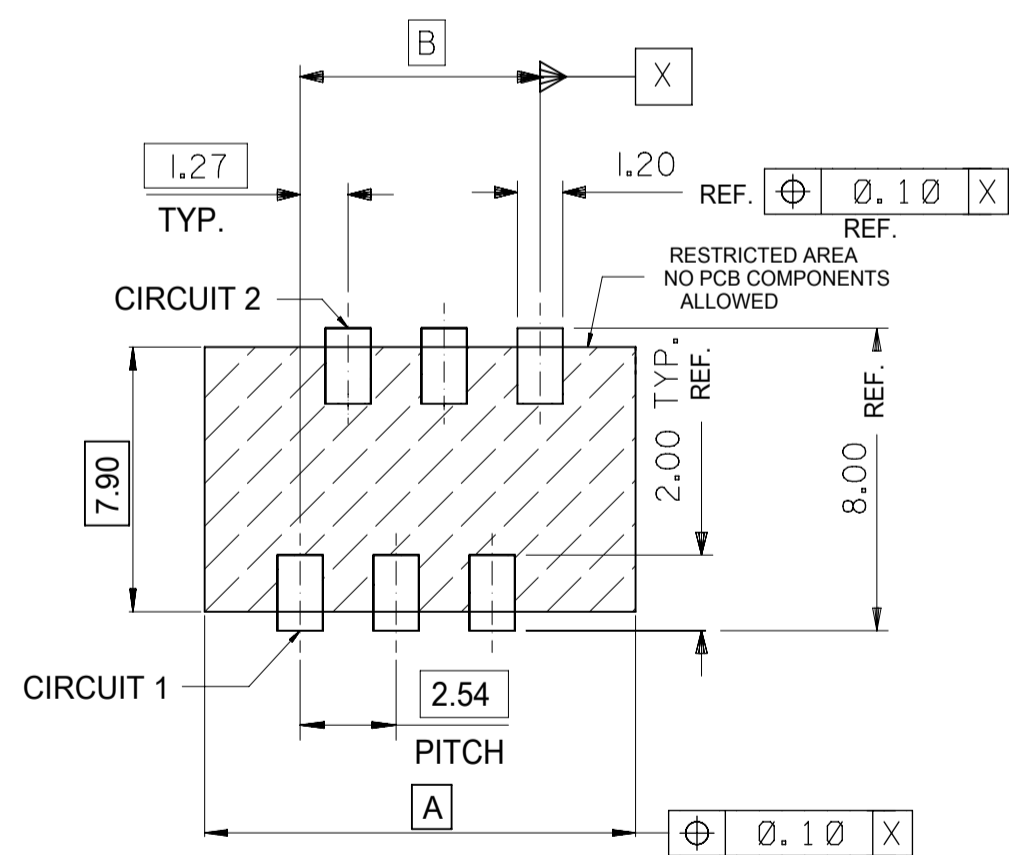
DIMENSION UNITS	SCALE	CURRENT REV DESC:		molex			
mm	5:1						
GENERAL TOLERANCES (UNLESS SPECIFIED)		EC NO: 738955		PICOFLEX SMT HEADER			
ANGULAR TOL ± 0.5°		DRWN: GOWTHP 2023/02/02					
4 PLACES ±		CHK'D: GOWTHP 2023/02/16		PRODUCT CUSTOMER DRAWING			
3 PLACES ±		APPR: ISHWARG 2023/02/20					
2 PLACES ± 0.1		INITIAL REVISION:		DOCUMENT NUMBER			
1 PLACE ±		DRWN: DMCNAMAR 2001/08/16					
0 PLACES ±		APPR: EFOLEN 2010/11/04		SDA-90814			
DRAFT WHERE APPLICABLE MUST REMAIN WITHIN DIMENSIONS		THIRD ANGLE PROJECTION					
		DRAWING		SERIES		REVISION	
		A2-SIZE		90814		AE1	
		MATERIAL NUMBER		CUSTOMER		SHEET NUMBER	
		SEE CHART		GENERAL MARKET		1 OF 2	



RECOMMENDED P.C.B. THICKNESS 1.60±0.14
 PCB LAYOUT FOR TRANSITION FIT WITH PCB PEGS
 HEADER VERSIONS 90814-xx0xx/-xx2xx/-xx8xx/-xx9xx,
 VIEWED FROM COMPONENT SIDE



RECOMMENDED P.C.B. THICKNESS 1.60±0.14
 PCB LAYOUT FOR CLEARANCE FIT WITH PCB PEGS
 HEADER VERSIONS 90814-xx0xx/-xx2xx/-xx8xx/-xx9xx,
 VIEWED FROM COMPONENT SIDE



PCB LAYOUT FOR HEADERS WITHOUT PCB PEGS
 HEADER VERSIONS 90814-xx3xx/-xx5xx/-xx6xx/-xx7xx,
 VIEWED FROM COMPONENT SIDE

90814-xx26	26	36.80	31.75	35.60
90814-xx24	24	34.26	29.21	33.06
90814-xx22	22	31.72	26.67	30.52
90814-xx20	20	29.18	24.13	27.98
90814-xx18	18	26.64	21.59	25.44
90814-xx16	16	24.10	19.05	22.90
90814-xx14	14	21.56	16.51	20.36
90814-xx12	12	19.02	13.97	17.82
90814-xx10	10	16.48	11.43	15.28
90814-xx08	8	13.94	8.89	12.74
90814-xx06	6	11.40	6.35	10.20
90814-xx04	4	8.86	3.81	7.66
PART NO.	NUMBER OF CKTS	DIMN. A	DIMN. B	DIMN. C

THIS DRAWING CONTAINS INFORMATION THAT IS PROPRIETARY TO MOLEX ELECTRONIC TECHNOLOGIES, LLC AND SHOULD NOT BE USED WITHOUT WRITTEN PERMISSION

DIMENSION UNITS	SCALE	CURRENT REV DESC:		
mm	5:1			
GENERAL TOLERANCES (UNLESS SPECIFIED)		EC NO: 738955		
ANGULAR TOL	± 0.5°	DRWN: GOWTHP	2023/02/02	
4 PLACES	±	CHK'D: GOWTHP	2023/02/16	
3 PLACES	±	APPR: ISHWARG	2023/02/20	PICOFLEX SMT HEADER PRODUCT CUSTOMER DRAWING
2 PLACES	± 0.1	INITIAL REVISION:		
1 PLACE	±	DRWN: DMCNAMAR	2001/08/16	DOCUMENT NUMBER
0 PLACES	±	APPR: EFOLEN	2010/11/04	SDA-90814
DRAFT WHERE APPLICABLE MUST REMAIN WITHIN DIMENSIONS		THIRD ANGLE PROJECTION	DRAWING	DOC TYPE
			A2-SIZE	PSD
		SERIES	90814	DOC PART
		MATERIAL NUMBER	SEE CHART	001
		CUSTOMER	GENERAL MARKET	REVISION
				AE1
				SHEET NUMBER
				2 OF 2