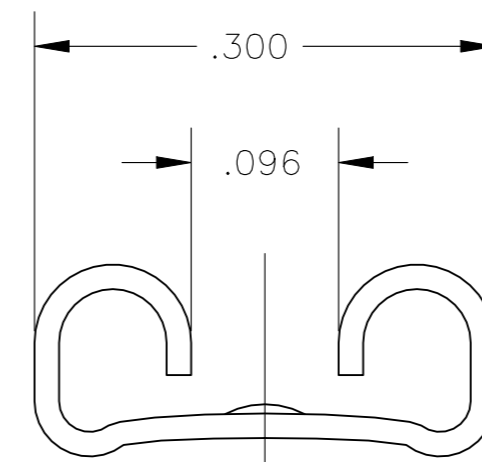
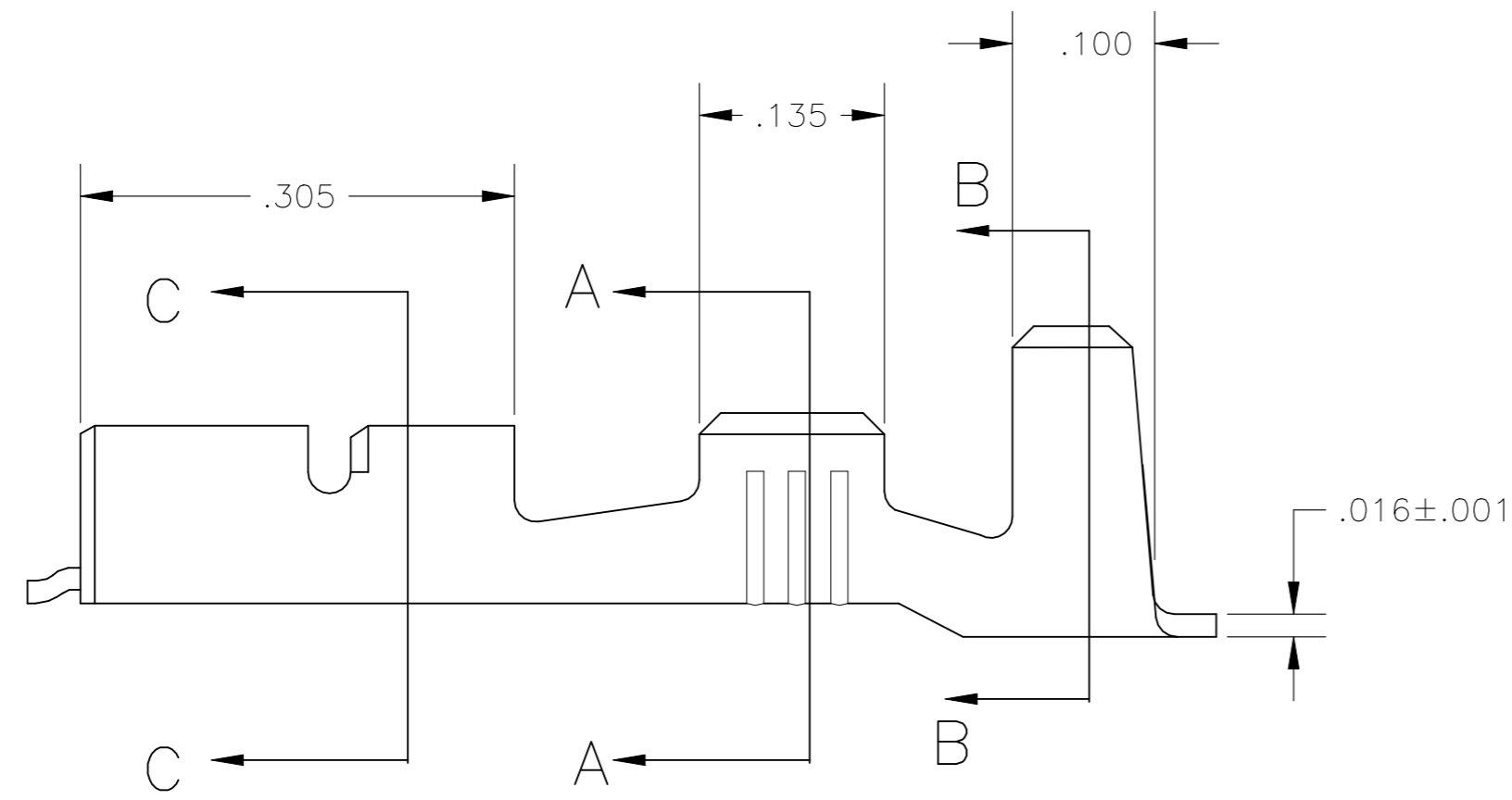
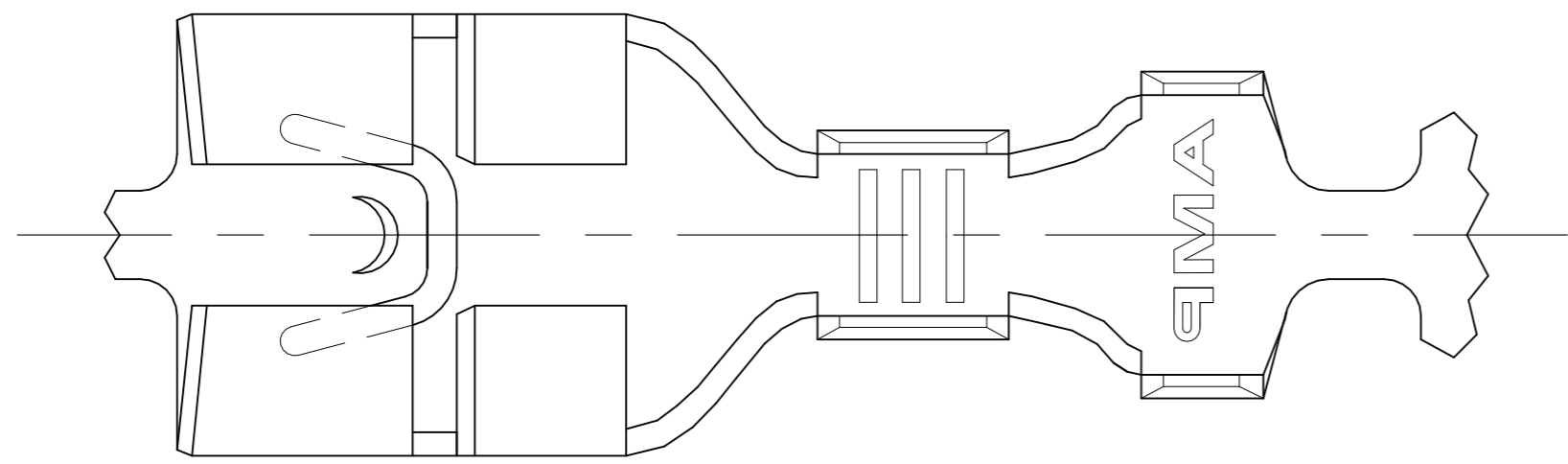
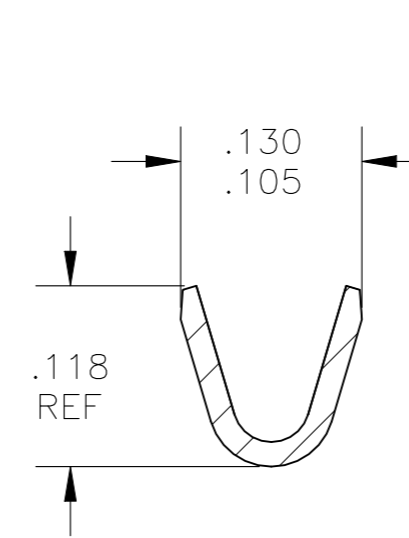


REVISIONS					
P	LTR	DESCRIPTION	DATE	DWN	APVD
B1		REVISED PER ECR-19-018140	24DEC2020	SS	EW

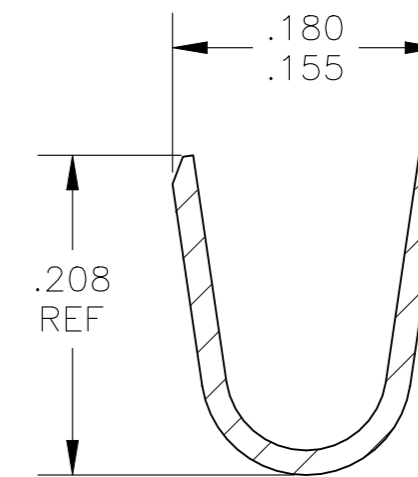
- 1 CONTINUOUS STRIP ON REELS
- 2 ACCEPTS #20-#16 AWG WIRE SIZE
- 3 INSULATION RANGE IS .090-.130 DIA
- 4 MATING TAB THK IS .032±.001.



SECTION C-C



SECTION A-A



SECTION B-B

OBSOLETE

1742950-1
PART NO

THIS DRAWING IS A CONTROLLED DOCUMENT.		DWN JR RUTH 25JUL06	TE TE Connectivity																	
DIMENSIONS: INCHES		CHK P DESANTIS 25JUL06																		
TOLERANCES UNLESS OTHERWISE SPECIFIED:		APVD P DESANTIS 25JUL06	RECEPTACLE, FASTON, .250 SERIES																	
<table border="0"> <tr><td>0 PLC</td><td>±</td><td>-</td></tr> <tr><td>1 PLC</td><td>±</td><td>-</td></tr> <tr><td>2 PLC</td><td>±</td><td>-</td></tr> <tr><td>3 PLC</td><td>±</td><td>.010</td></tr> <tr><td>4 PLC</td><td>±</td><td>-</td></tr> <tr><td>ANGLES</td><td>±</td><td>-</td></tr> </table>		0 PLC				±	-	1 PLC	±	-	2 PLC	±	-	3 PLC	±	.010	4 PLC	±	-	ANGLES
0 PLC	±	-																		
1 PLC	±	-																		
2 PLC	±	-																		
3 PLC	±	.010																		
4 PLC	±	-																		
ANGLES	±	-																		
MATERIAL BRASS		FINISH SEE TABLE	APPLICATION SPEC -	SIZE A2	CAGE CODE 00779	DRAWING NO C=1742950	RESTRICTED TO -													
CUSTOMER DRAWING			WEIGHT 0.000000	SCALE 8:1	SHEET 1 of 1	REV B1														