



Plenum N Male to SMA Male Low PIM Cable 36 Inch Length Using SPP-250-LLPL Coax Using Times Microwave Parts

RF Cable Assemblies Technical Data Sheet

PE3C6213-36

Configuration

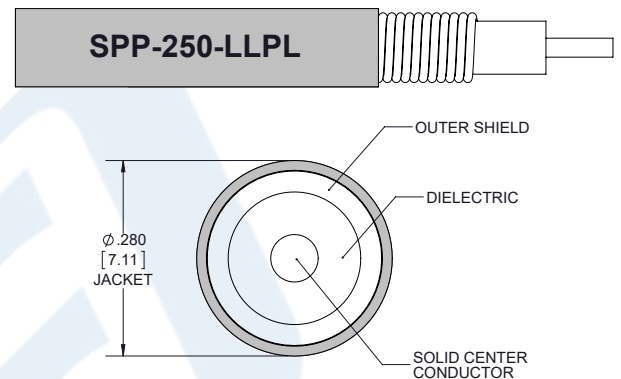
- Connector 1: TC-250-NM-LP
N Male
- Connector 2: TC-SPP250-SM-LP
SMA Male
- Cable: SPP-250-LLPL

Features

- Max Frequency 5.8 GHz
- Low PIM: -160 dBc Max
- Shielding Effectivity > 100 dB
- 76% Phase Velocity
- FEP Jacket
- 100% Tested with PIM Test Results Marked on Cable
- UL910 Plenum Rated Cable
- Lightweight and Extremely Flexible
- Low Loss with Excellent VSWR
- IP67 (when mated)
- Using Times Microwave Components

Applications

- General Purpose
- Laboratory Use
- Low PIM Applications
- Distributed Antenna Systems (DAS)
- Plenum Installations
- Multi-Carrier Communication Systems
- PIM Testing



Description

Pasternack's PE3C6213-36 type N male to SMA male 36 inch cable using SPP-250-LLPL coax is part of our full line of RF components available for same-day shipping. Pasternack's corrugated RF cable assemblies are ideal for applications where durability and high power are needed. This Pasternack type N to SMA cable assembly has a male to male gender configuration with 50 ohm corrugated SPP-250-LLPL coax. The PE3C6213-36 type N male to SMA male cable assembly operates to 5.8 GHz. Our low PIM design also offers excellent passive intermodulation performance with PIM levels better than -160 dBc. Times Microwave cable is used in each assembly and TMS components are used to form connections with the super flexible low PIM cable. These cable assemblies are expertly built to satisfy your specific need with high quality Times Microwave Systems manufactured parts.

Custom versions of most RF cable assemblies can be built and shipped same day. Custom cable assembly lengths can be obtained by specifying the desired length on the web site at time of order or by contacting a sales representative. Other available RF cable assembly value added services include connector orientation or clocking, heat shrink booting and custom labeling. RF testing can also be performed to document the electrical performance of your cable assembly.

Click the following link (or enter part number in "SEARCH" on website) to obtain additional part information including price, inventory and certifications: [Plenum N Male to SMA Male Low PIM Cable 36 Inch Length Using SPP-250-LLPL Coax Using Times Microwave Parts PE3C6213-36](#)



Plenum N Male to SMA Male Low PIM Cable 36 Inch Length Using SPP-250-LLPL Coax Using Times Microwave Parts

RF Cable Assemblies Technical Data Sheet

PE3C6213-36

Electrical Specifications

| Description | Minimum | Typical | Maximum | Units |
|-------------------------------|---------|--------------|---------|-----------------|
| Frequency Range | DC | | 5.8 | GHz |
| VSWR | | | 1.4:1 | |
| Velocity of Propagation | | 76 | | % |
| RF Shielding | 100 | | | dB |
| Passive Intermodulation | | -165 | -160 | dBc |
| Capacitance | | 27 [88.58] | | pF/ft [pF/m] |
| Inductance | | 0.067 [0.22] | | uH/ft [uH/m] |
| DC Resistance Inner Conductor | | 3 [9.84] | | Ω/1000ft [Ω/Km] |

Specifications by Frequency

| Description | F1 | F2 | F3 | F4 | F5 | Units |
|-----------------------|------|------|------|-----|------|-------|
| Frequency | 0.45 | 0.7 | 1 | 2.5 | 5.8 | GHz |
| Insertion Loss (Max.) | 0.34 | 0.39 | 0.43 | 0.6 | 0.85 | dB |

Electrical Specification Notes:

PIM test results vary between cables

The Insertion Loss data above is based on the performance specifications of the coax used in this assembly. The Insertion Loss includes an estimated insertion loss of 0.1*SQRT(FGHz) dB for the N male connector and 0.15 for the SMA male connector.

Mechanical Specifications

Cable Assembly

| Description | Minimum | Typical | Maximum | Units |
|------------------------------|---------|--------------|---------|---------|
| Length | | 36.0 [914.4] | | in [mm] |
| Jacket Diameter | | 0.28 [7.11] | | in [mm] |
| One Time Minimum Bend Radius | 1.25 | | | in |
| Bending Moment | | 0.8 | | lbs-ft |

Click the following link (or enter part number in "SEARCH" on website) to obtain additional part information including price, inventory and certifications: [Plenum N Male to SMA Male Low PIM Cable 36 Inch Length Using SPP-250-LLPL Coax Using Times Microwave Parts PE3C6213-36](#)



Plenum N Male to SMA Male Low PIM Cable 36 Inch Length Using SPP-250-LLPL Coax Using Times Microwave Parts

RF Cable Assemblies Technical Data Sheet

PE3C6213-36

Cable Characteristics

| Description | Specification |
|--------------------------------------|----------------------------------|
| Cable Type | SPP-250-LLPL |
| Impedance | 50 Ohms |
| Inner Conductor Type | Solid |
| Inner Conductor Material and Plating | Copper |
| Dielectric Type | PTFE |
| Number of Shields | 1 |
| Shield Layer 1 | Helically Corrugated Copper Tube |
| Outer Conductor Material and Plating | Copper |
| Outer Conductor Diameter | 0.25 in [6.35 mm] |
| Jacket Material | FEP, Blue |

Connector Characteristics

| Description | Connector 1 | Connector 2 |
|------------------------------------|-------------------------|-------------------|
| Type | N Male | SMA Male |
| Impedance | 50 Ohms | 50 Ohms |
| Contact Material and Plating | Phosphor Bronze, Silver | Brass, Silver |
| Contact Plating Specification | 196µ in | 196µ in |
| Dielectric Type | PTFE | PTFE |
| Body Material and Plating | Brass, Tri-Metal | Brass, Tri-Metal |
| Body Plating Specification | 118µ in | 118µ in |
| Coupling Nut Material and Plating | Brass, Tri-Metal | Brass, Tri-Metal |
| Coupling Nut Plating Specification | 118µ in | 118µ in |
| Torque | 9.74 in-lbs 1.1 Nm | 10 in-lbs 1.13 Nm |

Mechanical Specification Notes:

Environmental Specifications

| Description | Specification |
|-----------------------------|-------------------|
| Temperature Operating Range | -55 to +200 deg C |
| Temperature Storage Range | -55 to +200 deg C |
| Plenum Rating | UL910 |

Click the following link (or enter part number in "SEARCH" on website) to obtain additional part information including price, inventory and certifications: [Plenum N Male to SMA Male Low PIM Cable 36 Inch Length Using SPP-250-LLPL Coax Using Times Microwave Parts PE3C6213-36](#)



Plenum N Male to SMA Male Low PIM Cable 36 Inch Length
Using SPP-250-LLPL Coax Using Times Microwave Parts

RF Cable Assemblies Technical Data Sheet

PE3C6213-36

Compliance Certifications (see [product page](#) for current document)

Plotted and Other Data

Notes:

- Values at 25°C, sea level.

Typical Performance Data



Click the following link (or enter part number in "SEARCH" on website) to obtain additional part information including price, inventory and certifications: [Plenum N Male to SMA Male Low PIM Cable 36 Inch Length Using SPP-250-LLPL Coax Using Times Microwave Parts PE3C6213-36](#)



Plenum N Male to SMA Male Low PIM Cable 36 Inch Length
Using SPP-250-LLPL Coax Using Times Microwave Parts

RF Cable Assemblies Technical Data Sheet

PE3C6213-36

How to Order

Part Number Configuration:

PE3C6213

- **xx**

uu

Unit of Measure:
cm = Centimeters
<blank> = Inches
Length
Base Number

Example: PE3C6213-12 = 12 inches long cable
PE3C6213-100cm = 100 cm long cable

Plenum N Male to SMA Male Low PIM Cable 36 Inch Length Using SPP-250-LLPL Coax Using Times Microwave Parts from Pasternack Enterprises has same day shipment for domestic and International orders. Our RF, microwave and millimeter wave products maintain a 99.4% availability and are part of the broadest selection in the industry.

Click the following link (or enter part number in "SEARCH" on website) to obtain additional part information including price, inventory and certifications: [Plenum N Male to SMA Male Low PIM Cable 36 Inch Length Using SPP-250-LLPL Coax Using Times Microwave Parts PE3C6213-36](https://www.pasternack.com/n-male-sma-male-spp250llpl-cable-assembly-pe3c6213-36-p.aspx)

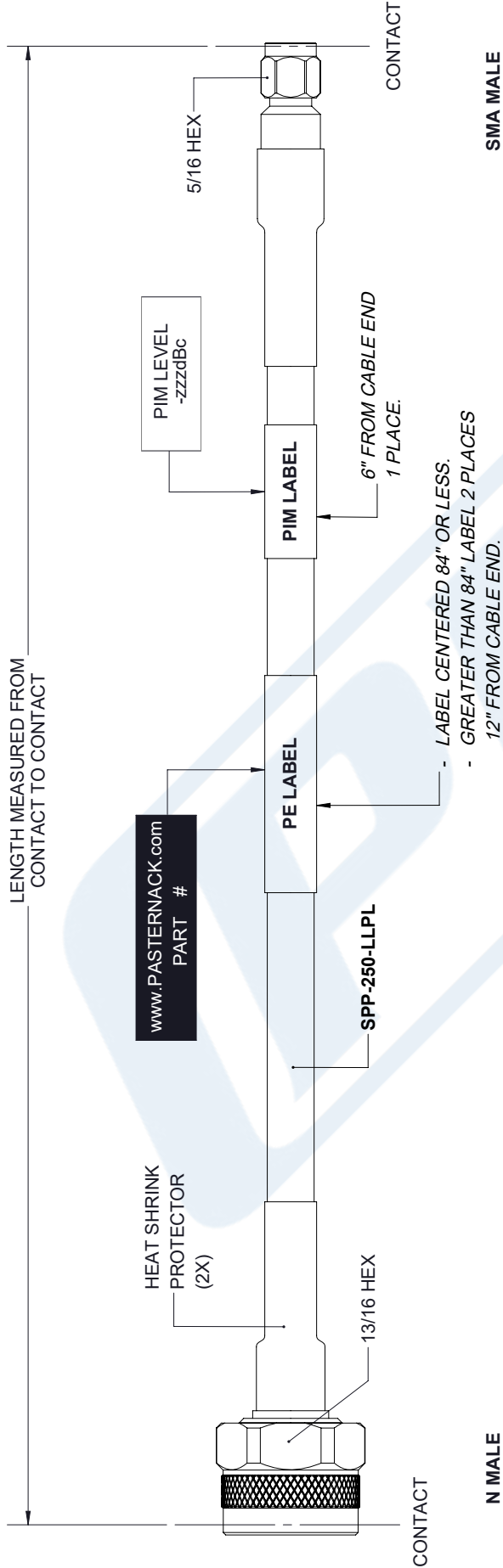
URL: <https://www.pasternack.com/n-male-sma-male-spp250llpl-cable-assembly-pe3c6213-36-p.aspx>

The information contained in this document is accurate to the best of our knowledge and representative of the part described herein. It may be necessary to make modifications to the part and/or the documentation of the part, in order to implement improvements. Pasternack reserves the right to make such changes as required. Unless otherwise stated, all specifications are nominal. Pasternack does not make any representation or warranty regarding the suitability of the part described herein for any particular purpose, and Pasternack does not assume any liability arising out of the use of any part or documentation.

PE3C6213-36 CAD Drawing

Plenum N Male to SMA Male Low PIM Cable 36 Inch Length Using SPP-250-LLPL Coax Using Times Microwave Parts

| REVISIONS | | | |
|-----------|-----------------|----------|----------|
| REV. | DESCRIPTION | DATE | APPROVED |
| A | INITIAL RELEASE | 04/09/19 | S.ELLIS |



N MALE

SMA MALE

| | |
|--|-----------|
| UNLESS OTHERWISE SPECIFIED LEADING DIMENSIONS ARE INCHES DIMENSIONS IN [] ARE MILLIMETERS | |
| TOLERANCES: | FRACTIONS |
| X±.2 | [5.08] |
| .XX±.01 | [.25] |
| .XXX±.005 | [.13] |
| ALL DIMENSIONS SHOWN ARE FOR REFERENCE ONLY. | |
| THIRD-ANGLE PROJECTION | |

PE PASTERNAK
an INFINITO brand

Pasternack Enterprises, Inc.
P.O. Box 16759, Irvine, CA 92623.
Phone: 1,949,261,1920 | 1,866,727,8376
Fax: 1,949,261,7451
www.pasternack.com | e-mail: sales@pasternack.com

THE INFORMATION AND DESIGN IN THIS DOCUMENT IS THE PROPERTY OF PASTERNAK CORPORATION. ALL RIGHTS RESERVED.

SHEET 1 OF 1
SCALE N/A

SIZE A CAGE 53919 DRAWN BY K.DANG PART NUMBER PE3C6213 REV A

THESE COMMODITIES, TECHNOLOGY OR SOFTWARE WERE EXPORTED FROM THE UNITED STATES IN ACCORDANCE WITH THE EXPORT ADMINISTRATION REGULATIONS. DIVERSION CONTRARY TO U.S. LAW PROHIBITED.