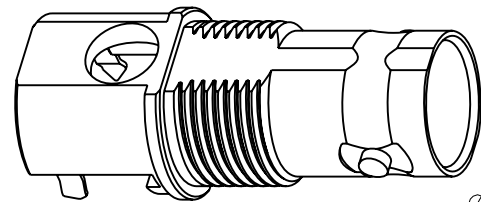


NOTES:

1. MATERIALS AND FINISH:
 HOUSING - BRASS, NICKEL PLATING
 CONTACT - PHOSPHOR BRONZE, GOLD PLATING
 LEG - 301 1/2 STAINLESS STEEL, PASSIVATED
 INSULATOR - PTFE, NATURAL

2. ELECTRICAL:
 A. IMPEDANCE: 75 OHM
 B. FREQUENCY RANGE: DC-3 GHz
 C. VSWR: 1.15 MAX.
 D. DIELECTRIC WITHSTANDING VOLTAGE: 1500 VRMS. MIN.

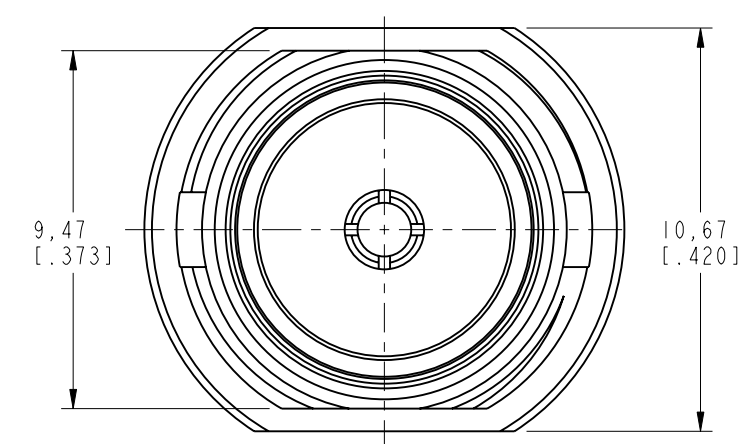
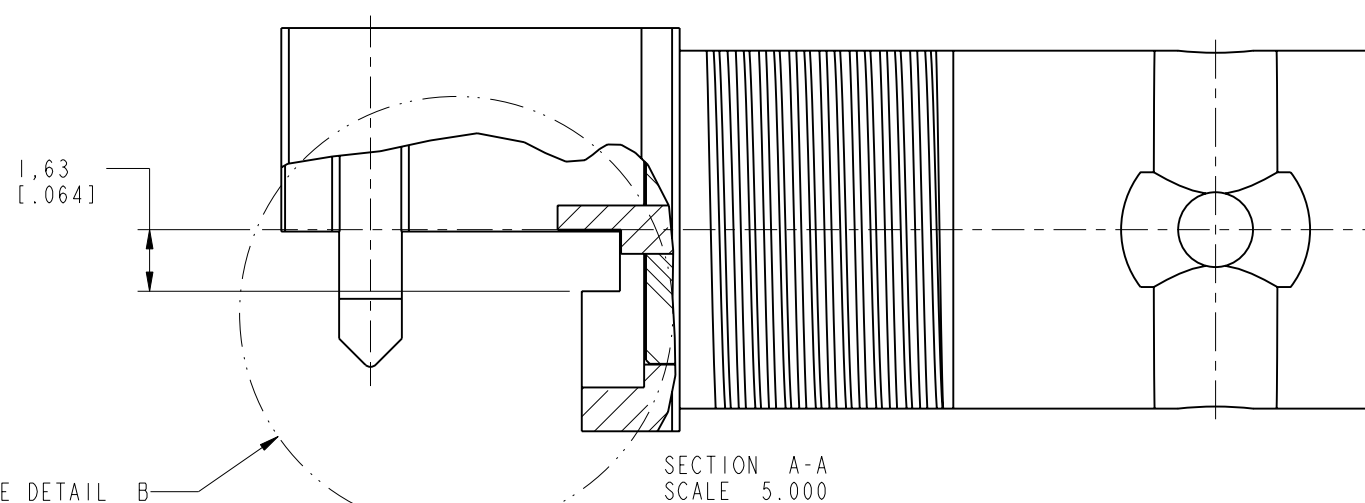
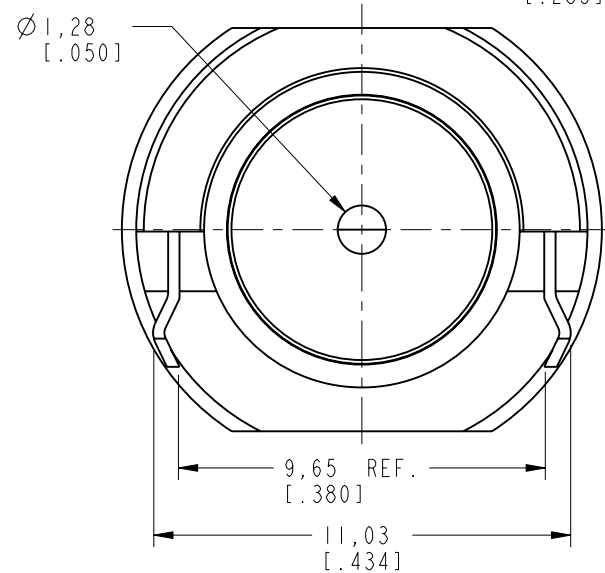
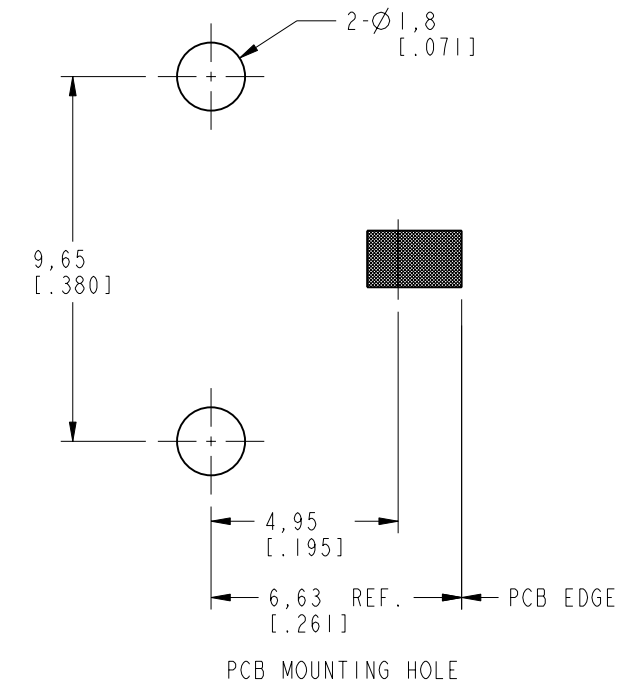
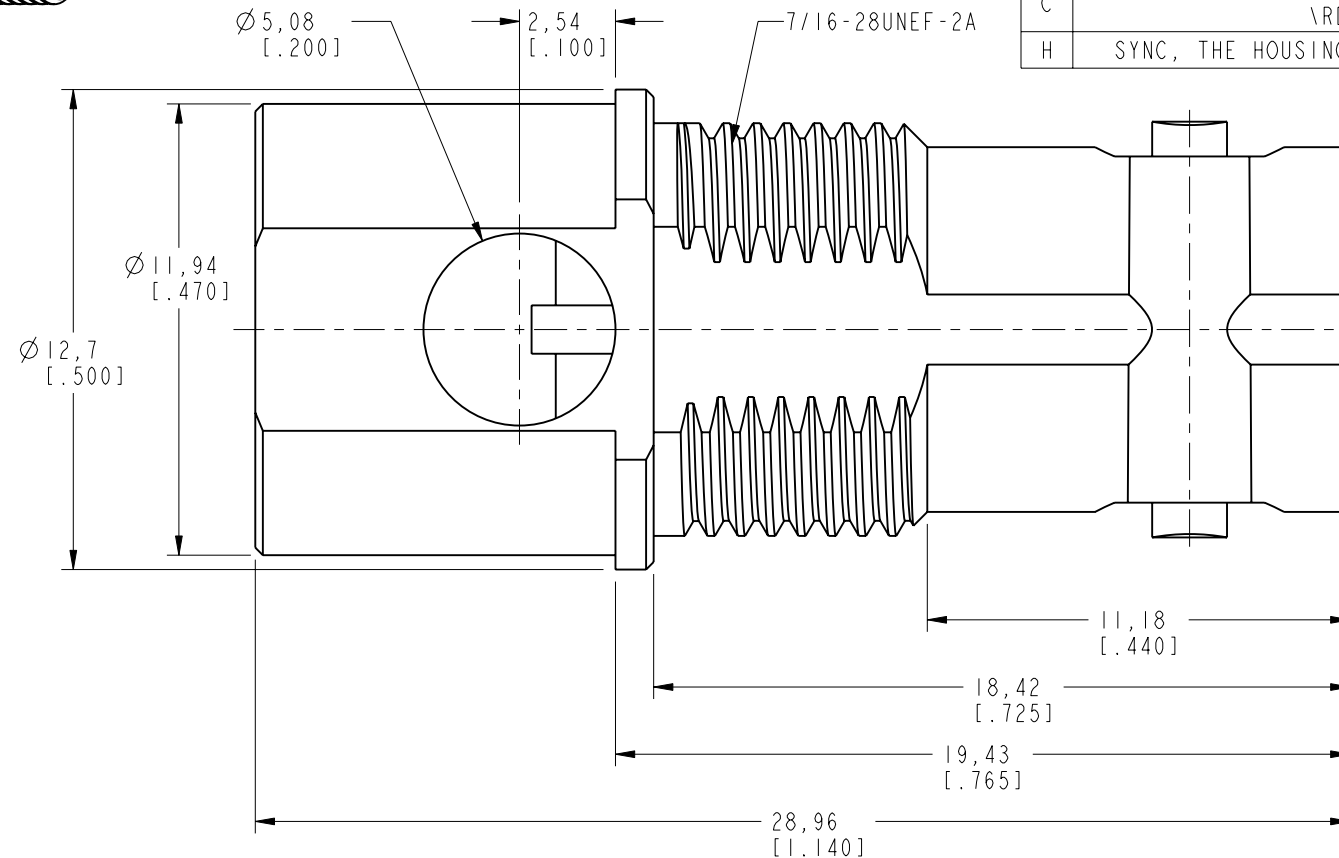
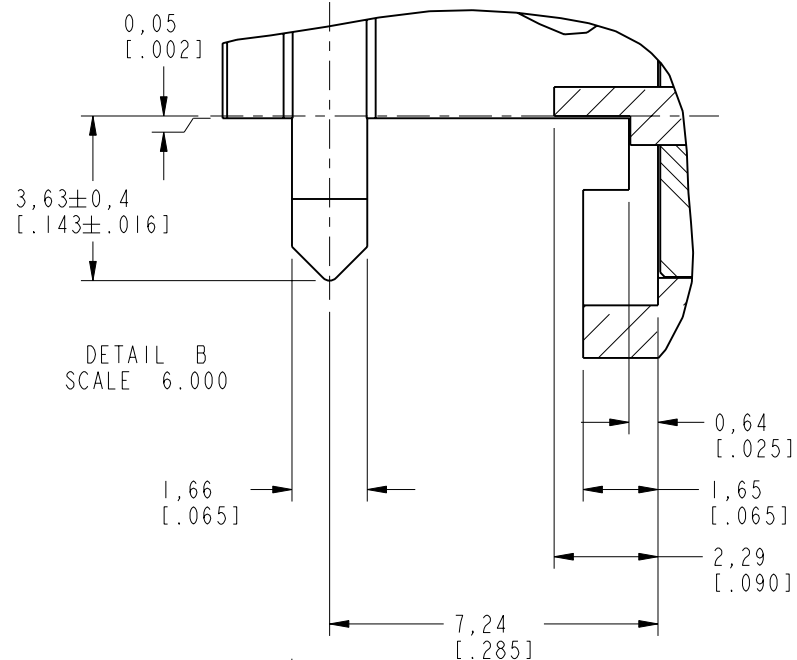
3. MECHANICAL:
 A. DURABILITY: 500 CYCLES MIN.
 B. TEMPERATURE RANGE: -65°C TO +165°C



THIRD ANGLE PROJ.

REVISIONS

REV	DESCRIPTION	DATE	ECO	APPR
NC	INITIAL RELEASE	28-Jan-08	----	SH
A	ADD "75 OHM" TO PART DESCRIPTION	16-Jan-07	----	SH
B	REVISE MOUNTING SLOT DIMENSIONS	31-Mar-09	----	SH
C	ADD A DIMENSION TOLERANCE CONTROL FOR CONTACT ARD-DMI4082201J9	02-Sep-14	2801	SH
H	SYNC, THE HOUSING WAS CHANGED ARD-DMI7011701M	08-Feb-17	02883	SH



CUSTOMER OUTLINE DRAWING

ALL OTHER SHEETS ARE FOR INTERNAL USE ONLY

UNLESS OTHERWISE SPECIFIED, DIMENSIONS ARE IN METRIC AND TOLERANCES ARE:
 <0.5mm ±0.05mm 0.5 - 6mm ±0.1mm 6 - 30mm ±0.2mm 30 - 120mm ±0.3mm ANGLES ±1°

NOTICE - These drawings, specifications, or other data (1) are, and remain the property of Amphenol corp. (2) must be returned upon request; and (3) are confidential and not to be disclosed to any person other than those to whom they are given by Amphenol Corp. the furnishing of these drawings, specifications, or other data by Amphenol Corp., or to any other person to anyone for any purpose is not to be regarded by implication or otherwise in any manner licensing, granting rights to permitting such holder or any other person to manufacture, use or sell any product, process or design, patented or otherwise, that may in any way be related to or disclosed by said drawings, specifications, or other data.

MATERIAL	-
REFERENCE	
CONFIGURATION LEVEL:	In Work
FINISH	

DRAWN	M. ZHANG	DATE	08-Feb-17
ENGINEER	C. WANG	DATE	30-Jan-08
APPROVED	S. HSIEH	DATE	08-Feb-17
CAD FILE			

TITLE	
BNC PCB MOUNT RECEPT, JACK (FOR 75 OHM)	
SCALE: 2.0:1.0	SHEET 2 OF 2
DWG SIZE B	REV H

Amphenol RF	
www.amphenolrf.com	
DRAWING NO. B625IRI-001-NT3G-75	
ITEM NO. 016251ACK00NA7F	
PART NO. 112730-10	