

1

2

3

4

5

6

7

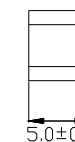
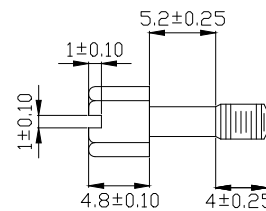
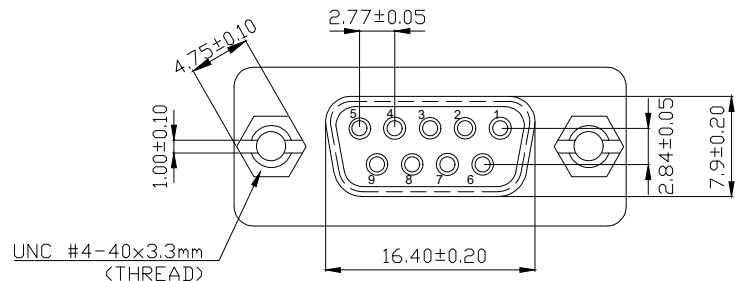
A

UNC #4-40 Hexscrew

UNC #4-40 Hexnut

A

B



B

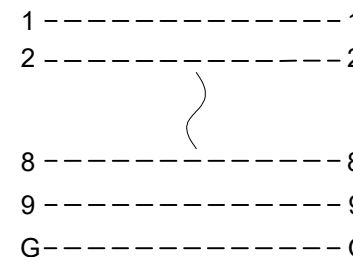
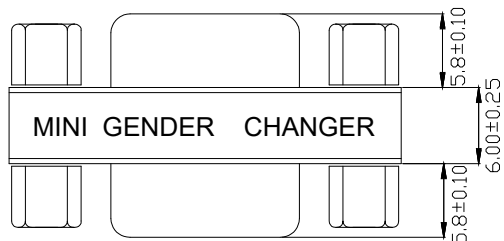
C

DGC 09 F/F GENDER CHANGER

PIN OUT:9Female

9Female

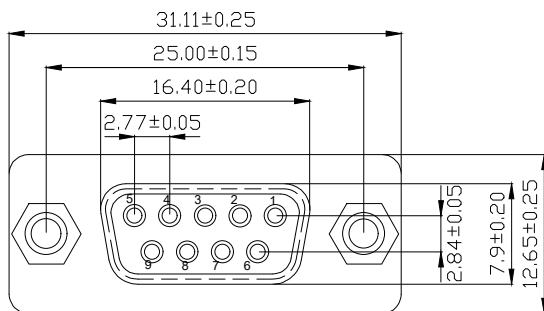
C



D

D

E



Label: Yellow color with black character
 One side: MINI GENDER CHANGER
 The other side: U.S.A. PATENT 5199906 GENDER CHANGER
 SPECIFICATION
 INSULATOR : PBT Glass fibre reinforced UL94 V0(blue)
 CONTACT : Brass
 CONTACT PLATING: Glod plated over nickel
 SHELL: Tin plated Shell

E

F

F

G

G

RoHS compliant

Unit:mm

Scale	Free
TOLERANCE	
X.X	±0.20
X.XX	±0.15
X.XXX	±0.05

						Date	Name	Description:
					Drawn	23.08.2018	Winnie	
					Approved	23.08.2018	Winnie	ASSMANN WSW-No.
								AB411

H

H

DIM	TOL	ⓐ	Drawn	23.08.2018	Winnie
Angle	TOL	Id.	Modification	Date	Name



Drawing-No.	ASS 8196 CO	rev00
Customer-No.	SHEET 1 / 1	

1

2

3

4

5

6

7