

Ratings

Voltage: 150 V
Temperature: -40~70 °C

Conductor

Conductor count: 10
Gauge: 32 AWG 0.04 mm²
Material: Tinned copper strands
Strand size: $\phi 0.05 \times 19$
Resistance at 20 °C: 590 Ω /km Max

Insulator

Material: HDPE
Color: black, white, red, yellow, blue, green, orange, purple, gray, brown
Diameter: $\phi 0.55 \pm 0.10$ mm
Nominal thickness: 0.15 mm
Resistance at 20 °C: 100 M Ω /km Min

Wrap

Material: cotton paper

Filler

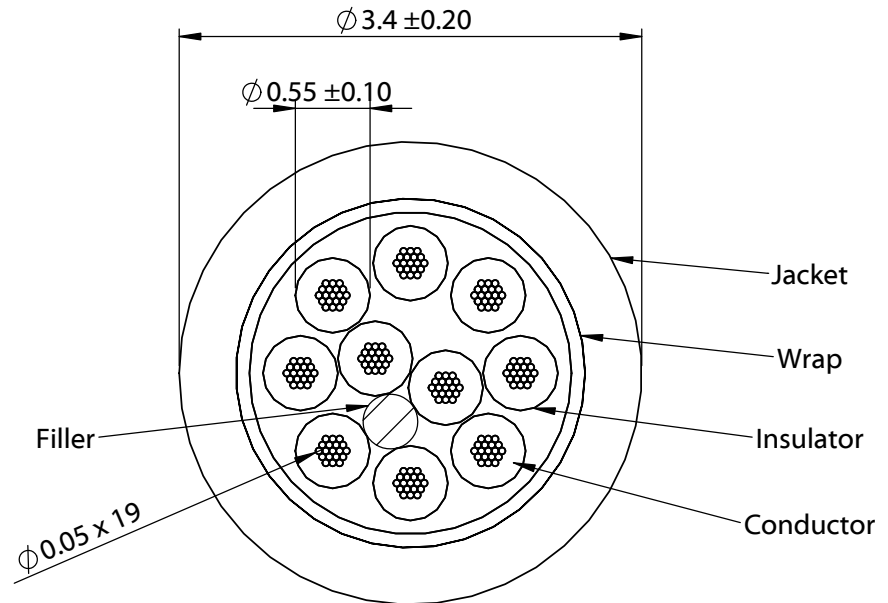
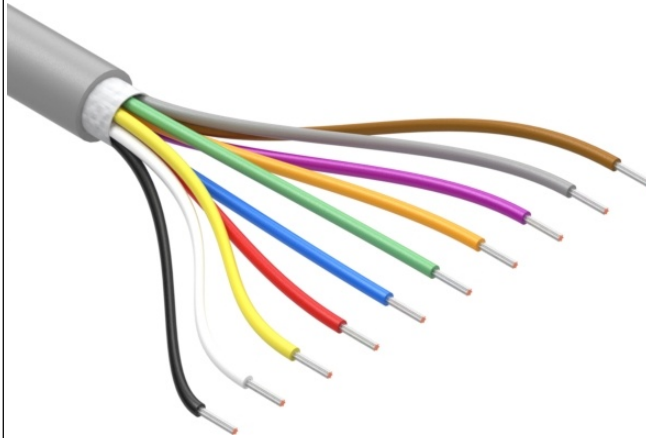
Material: aramid fiber

Outer jacket

Material: TPU
Color: gray
Diameter: $\phi 3.4 \pm 0.20$ mm
Nominal thickness: 0.50 mm

Tests

Tensile strength: 15 kgf min
Dielectric test: 1500 V dc for 1 minute without breakdown
Bend test at 200 g, $\pm 60^\circ$, 30 cycles /min: 15,000 cycle minimum



Revision:	Date:	Description:
A	9/9/2022	Initial release

Prepared:
PB
Digitally signed by PB
Date: 2022.09.12
12:27:06 -07'00'

Verified:
MP
Digitally signed by MP
Date: 2022.09.20
09:58:02 -07'00'

Dimensions are in millimeters.
Tolerances:
X: ± 0.5 mm
X.X: ± 0.3 mm
X.XX: ± 0.05 mm

Notes:

RoHS compliant
Jacket meets ISO 10993 Biological Compatibility
Phthalate and halogen free
Function test: no open, no short, no intermittent

Description:
Wire, 10C TS, 32 AWG, 150V, 70C, 3.4 mm, TPU, 75A, gray, WBL

TENSILITY

tel 1.541.323.3228 800 877.670.7118
fax 1.541.323.4202 web tensility.com

Size:	Part number:
A	30-02773
Scale: 18:1	Sheet 1 of 1