

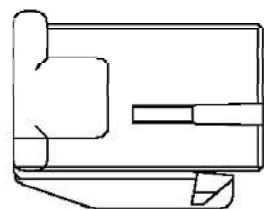
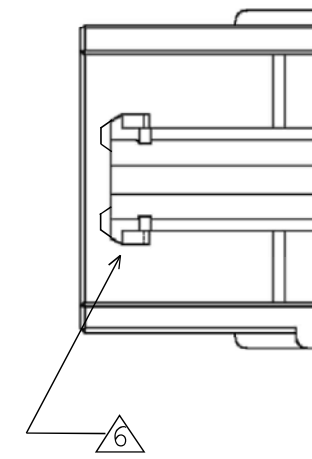
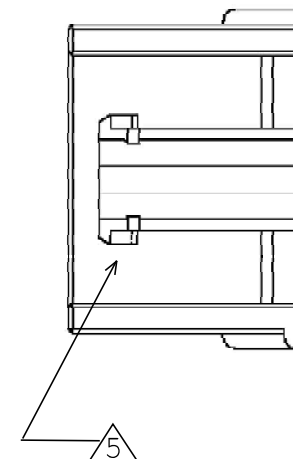
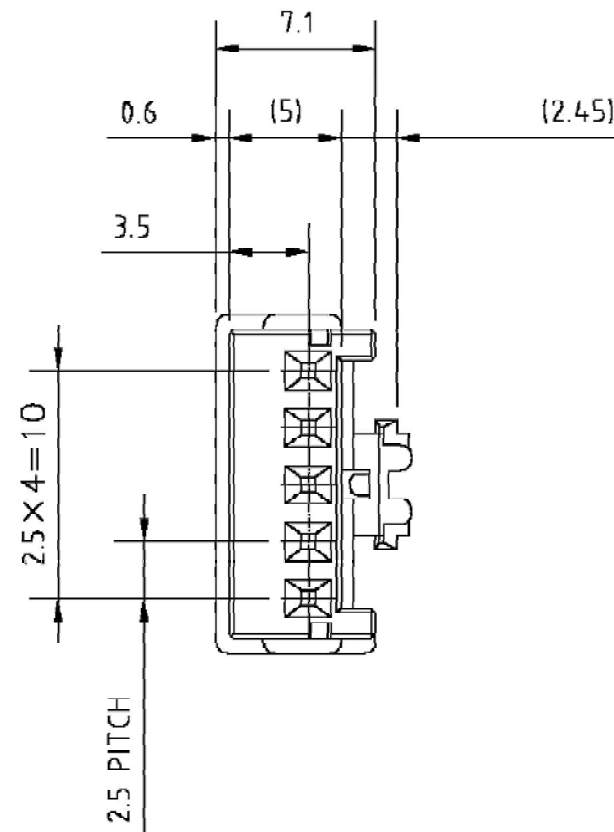
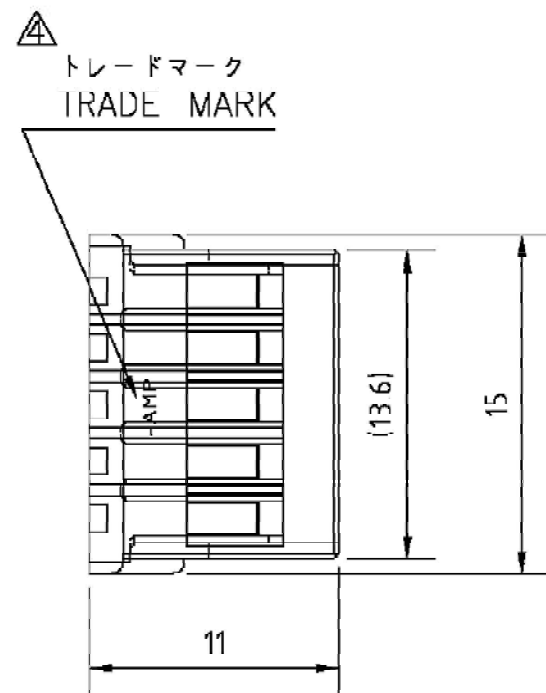
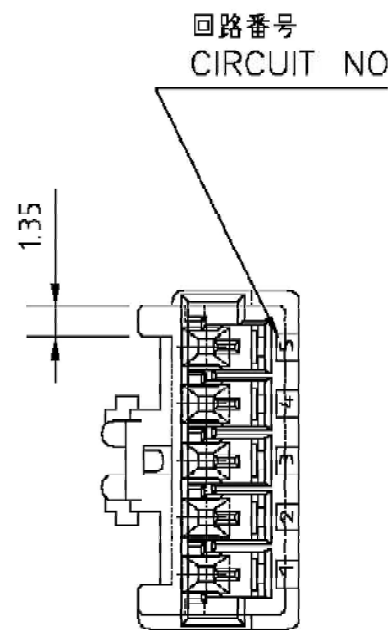
THIS DRAWING IS UNPUBLISHED.

RELEASED FOR PUBLICATION

© COPYRIGHT

ALL RIGHTS RESERVED.

LOC	DIST	REVISIONS					
J	-	P	LTR	DESCRIPTION	DATE	DWN	APVD
		E		REVISED PER ECR-20-100231	16JUL20	MM	DZ



注記;

- ▲ 材料; 66ナイロン (UL94V-0)
- ▲ 製品規格; 108-5459
- ▲ 取付適用規格; 114-5203
- ▲ 表1参照
- 5. 取扱説明書; 411-5771

NOTES;

- ▲ MATERIAL; 66 NYLON (UL94V-0)
- ▲ PRODUCT SPEC; 108-5459-8
- ▲ APPLICATION SPEC; 114-5203
- ▲ SEE TABLE 1
- 5. INSTRUCTION SHEET; 411-5771
- 6. PART 5-917689-1 COMPLY WITH GLOW WIRE REQUIREMENT FOR PARTS OF NON-METALLIC MATERIAL SUPPORTING A CURRENT CARRYING CONNECTION DETAILED IN IEC 60335-1, SECTION 30(GWT)

表1 TABLE 1

トレードマーク TRADE MARK	生産場所 MANUFACTURING PLACE
- AMP OR AMP	日本 JAPAN
- +AMP OR AMP	中国 CHINA(PRC)

▲ 5	自然色 NATURAL	5-917689-1	5
▲ 6	青 BLUE	917689-6	5
▲ 6	赤 RED	917689-2	5
▲ 6	自然色 NATURAL	917689-1	5
	色調 COLOR	型番 PART NO.	極数 POS.

THIS DRAWING IS A CONTROLLED DOCUMENT.		DWN Y. NOGUCHI 12MAY95		
		CHK Y. KASHIWA 12MAY95		
		APVD Y. KASHIWA 12MAY95	NAME 名称	
DIMENSIONS: 単位 MM		PRODUCT SPEC 製品規格		2.5mm シグナルダブルロック 5極 プラグハウジング 2.5mm SIGNAL DBL-LOCK 5P PLUG HOUSING
TOLERANCES UNLESS OTHERWISE SPECIFIED: 一般公差		APPLICATION SPEC 取付適用規格		
		SEE NOTE		SIZE
MATERIAL 材料		WEIGHT		CAGE CODE
▲ SEE NOTE		FINISH 仕上		DRAWING NO 番号
		CUSTOMER DRAWING		A3 00779
		SCALE 尺度 3-1		SHEET 1 OF 1
		RESTRICTED TO		REV E