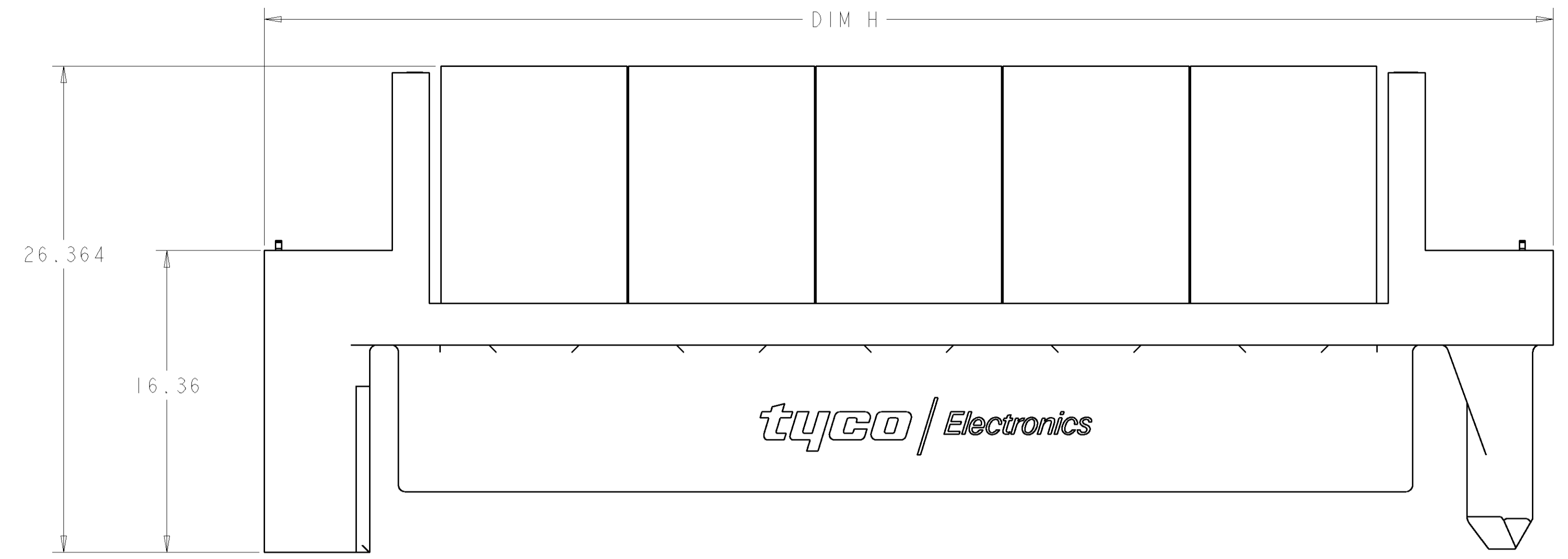
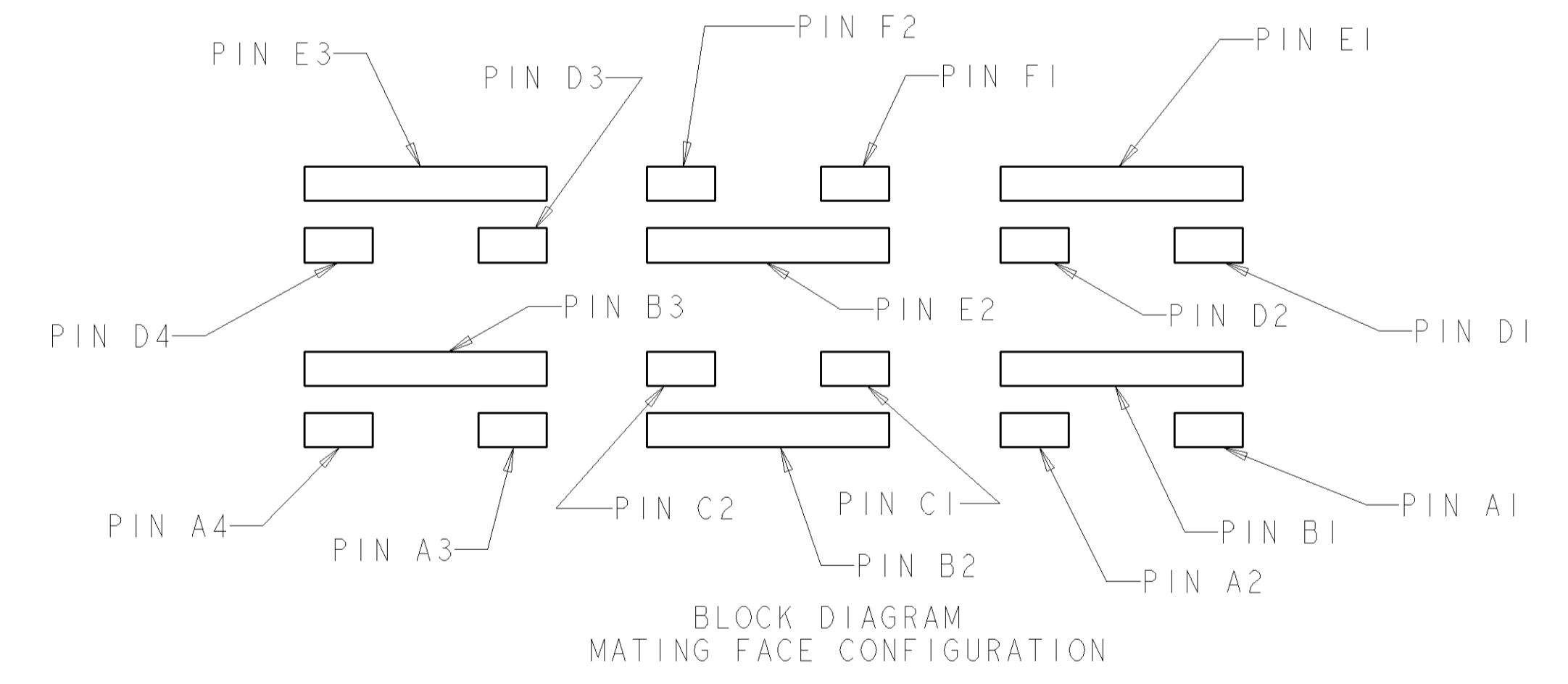
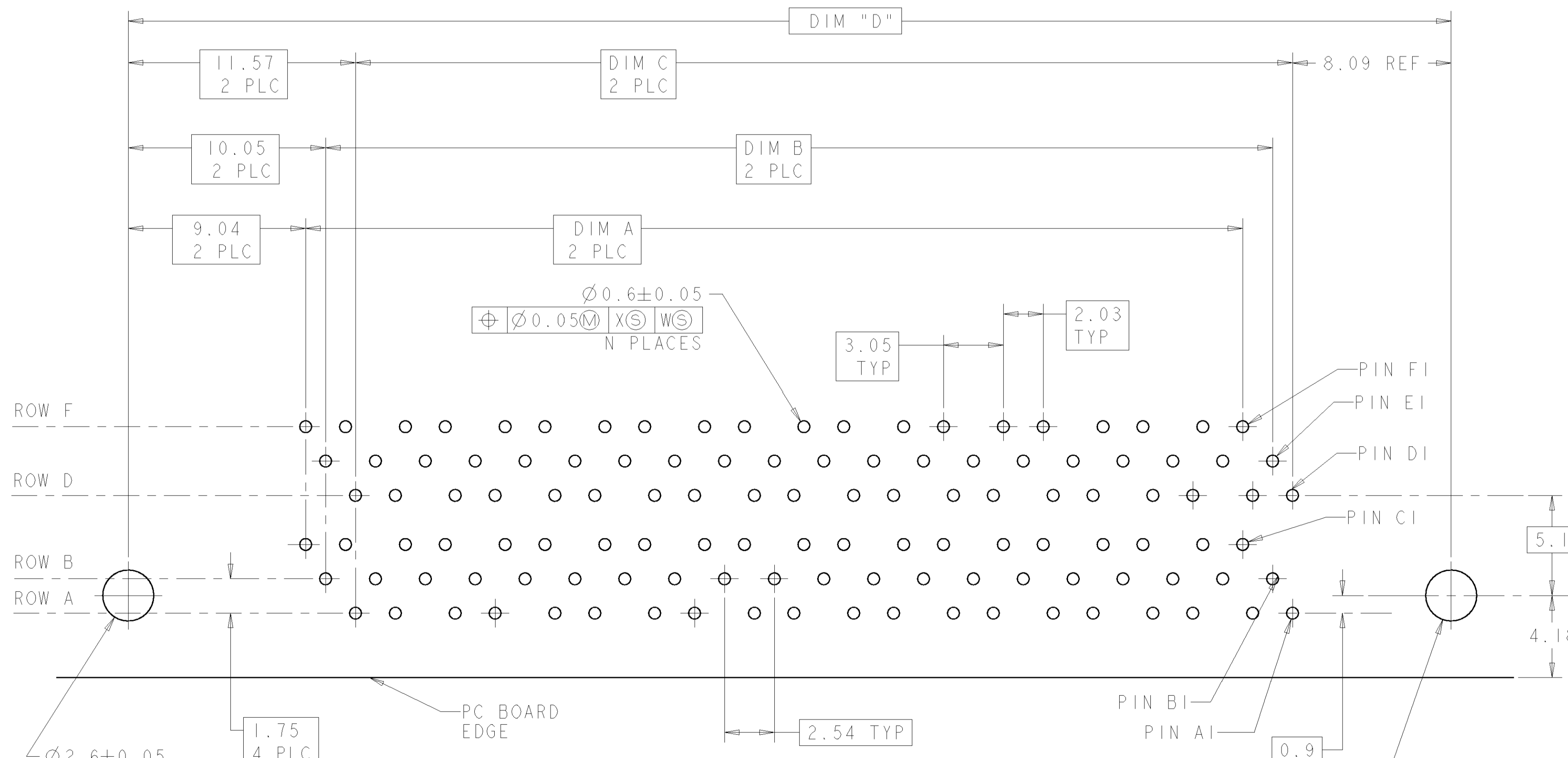
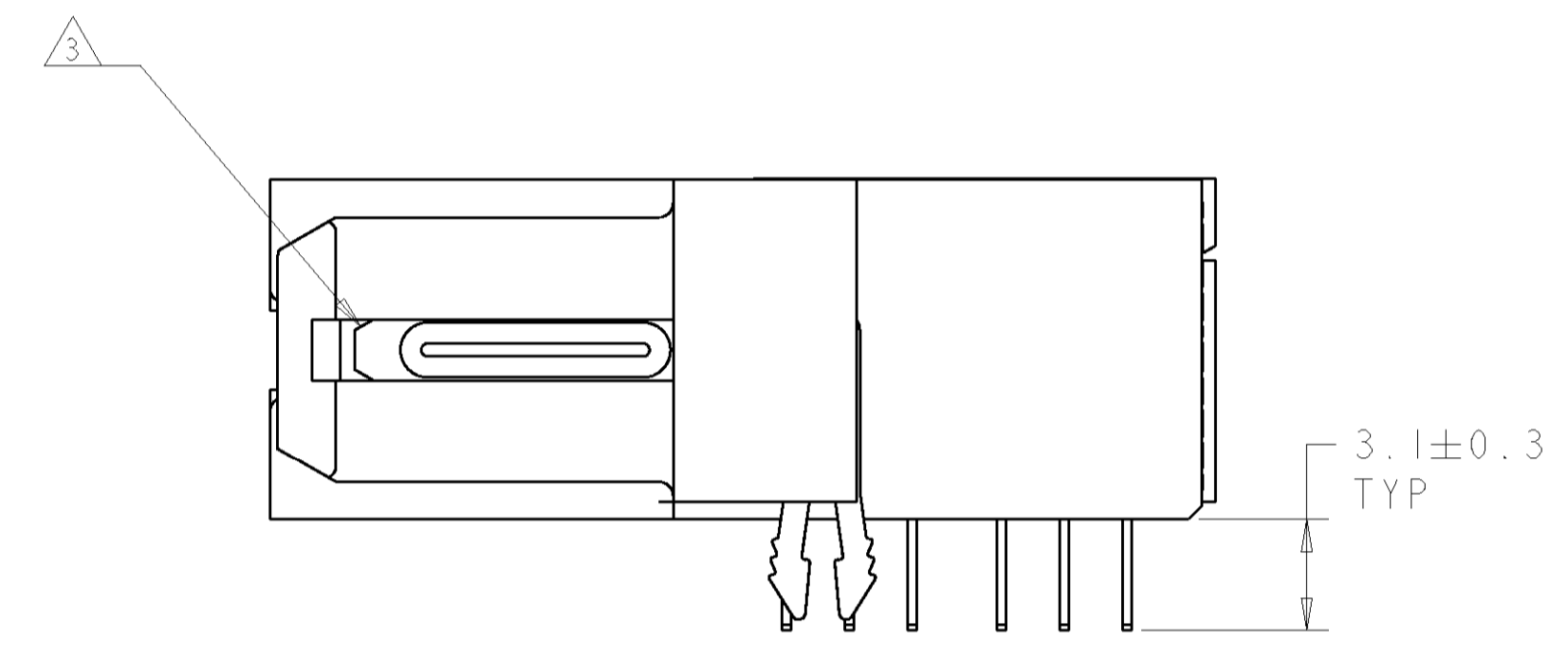
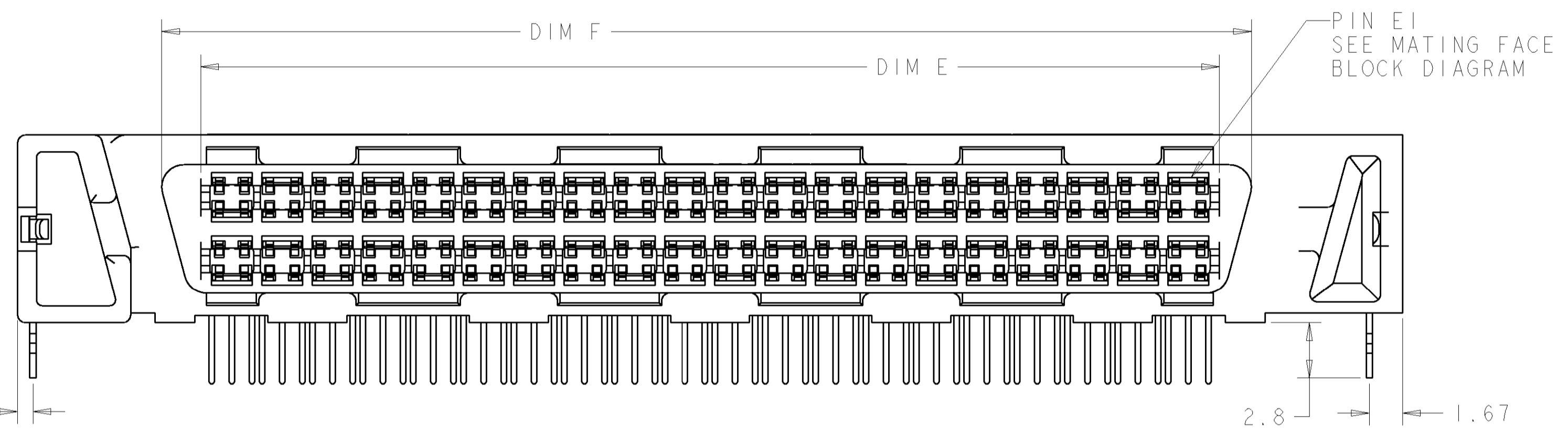


LOC	DIST	REVISIONS			
P	LTR	DESCRIPTION	DATE	BY	APPD
A		RELEASED	30NOV2005	EDB	EDB
A1		REVISED PER ECO-09-025699	08DEC09	KK	AEG



- △ MATERIAL:  
HOUSING AND ORGANIZER: POLYESTER, NATURAL  
CONTACTS: COPPER ALLOY  
BOARDLOCKS: BRASS
- △ PLATING:  
BOARDLOCKS: 2.0µm MIN. TIN OVER 1.00µm MIN NICKEL  
CONTACTS: 0.76µm MIN GOLD IN CONTACT AREA, 2.54µm MIN TIN IN TERMINATION AREA, BOTH OVER 1.27µm MIN NICKEL.
- △ CONTACT ENGAGING SEQUENCE: BOARDLOCK (ESD), GROUND, SIGNAL
- 4. DATE CODE MAY BE MARKED ON EITHER END.
- 5. ROWS A, C, D, AND F ARE SIGNAL CONTACTS  
ROWS B AND E ARE GROUND CONTACTS.
- △ CONNECTOR SIZE CAN ACCOMMODATE INDICATED QUANTITY OF DIFFERENTIAL PAIRS.
- 7. COMPONENT HAS NOT PASSED VERIFICATION TESTING.
- △ OBSOLETE PARTS: OBSOLETE CIS STREAMLINING PER D.RENAUD/D.SINISI



	N	H DIM	F DIM	E DIM	D DIM	C DIM	B DIM	A DIM	DIFF PAIRS	PART NO.
△ OBSOLETE	216	110.50	95.62	92.04	108.05	88.39	88.90	88.39	72	<del>6367130-7</del>
	96	59.70	44.82	41.24	57.25	37.59	38.10	37.59	32	<del>6367130-6</del>
	72	49.54	34.66	31.08	47.09	27.43	27.94	27.43	24	<del>6367130-5</del>
△ OBSOLETE	192	100.34	85.46	81.88	97.89	78.23	78.74	78.23	64	6367130-4
	168	90.18	75.30	71.72	87.73	68.07	68.58	68.07	56	6367130-3
	144	80.02	65.14	61.56	77.57	57.91	58.42	57.91	48	<del>6367130-2</del>
	120	69.86	54.98	51.40	67.41	47.75	48.26	47.75	40	6367130-1

RECOMMENDED PC BOARD FOOTPRINT  
 COMPONENT SIDE SHOWN  
 SCALE 6:1

DIMENSIONS: mm 		TOLERANCES UNLESS OTHERWISE SPECIFIED: 0 PLC ± 1 PLC ±0.3 3 PLC ±0.13 4 PLC ± ANGLES 40°±0.5°		DWN E BRIANT 30NOV2005 CHK E BRIANT 30NOV2005 APVD M WALMSLEY 30NOV2005 PRODUCT SPEC 108-1985 APPLICATION SPEC 114-13068 WEIGHT - CUSTOMER DRAWING		AMP Tyco Electronics Harrisburg, PA 17105-3608 NAME Z-DOK CONNECTOR ASSEMBLY, RECEPTACLE, ESD CONTACTS SIZE CAGE CODE DRAWING NO. RESTRICTED TO A1 00779 C-6367130 - SCALE 4:1 SHEET 1 OF 1 REV A1	
-----------------------	--	--	--	--	--	---	--