

**ONLY FOR REFERENCE**

# Standard Spec Sheet

Mitsumi Model Name	<b>SOU-244HST</b>
Mitsumi Model No.	<b>R 66 7799</b>
Operating Force/ Boss	<b>2.4N / With</b>
Pcs/Reel	<b>5,000</b>

This specification is only for reference. If you have any questions for the details, please contact SW engineering division.

For your adopting the products, the formal supply specification will be provided.

## **MITSUMI ELECTRIC CO.,LTD.**

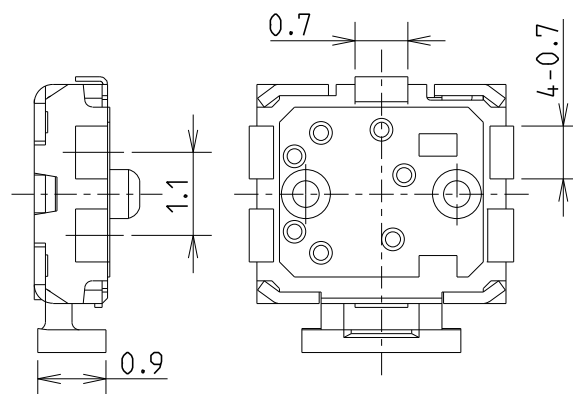
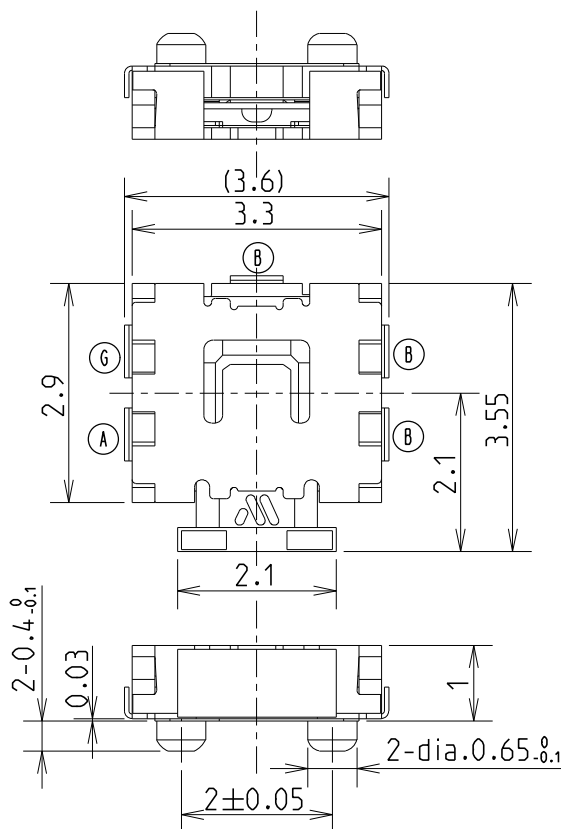
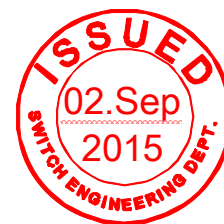
2-11-2, Tsurumaki, Tama-shi. Tokyo 206-8657 Japan.

SWITCH ENGINEERING SECTION

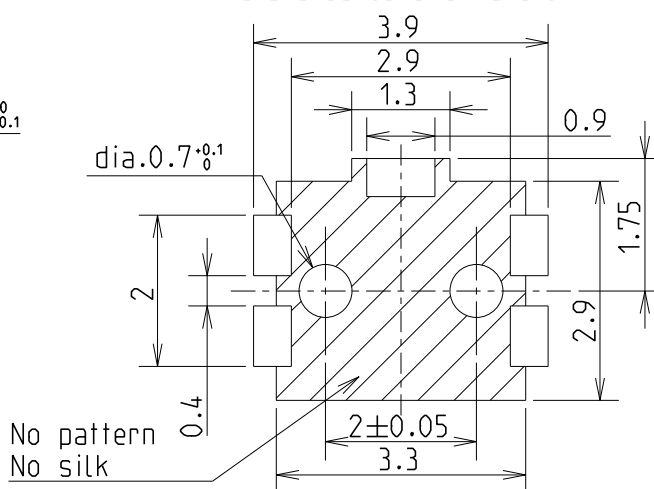
1049, Tateiwa, Iizuka-shi. Fukuoka 820-8533 Japan.

00 66LL File no.	Product specification Tactile Switches SOU-244HST	Approved Sep.02.'15 SW eng. Hirahata	Checked Sep.02.'15 SW eng. Kawaguchi	Drawn Sep.02.'15 SW eng. Tanaka
Customer's name	Customer's parts no.	General specification	Issued Sep.02 '15	
-	-	S66-1785		

- 1)The items specified in this Product specification are prior to General specification.
- 2) The items not specified in this Product specification, General specification is applied.



Reference land dimension

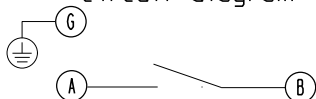


No pattern  
No silk

The thickness of solder stencil : 100µm

Operating force	2.4+/-0.7 N
Return force	0.2 N min.
Travel	0.2+/-0.1 mm
Contact resistance	1.0 ohm max.
Max. rating	50 mA 12 V DC (Resistive load)
Operating life	100,000 cycles

Circuit diagram



We do not guarantee an electrical contact between ⑥ terminal and cover. But an insulation distance between them is designed to be shortest. So, ⑥ terminal can be used as an earth terminal.

RoHS compliant  
(2011/65/EU)

Environmental classification	G
Parameter sheet result	N
Development class	3

Rev.				Third angle projection	Scale 10:1	Tolerance +/--0.15	Ass'y dwg no. 66-9712U
QA process flow chart	Product inspection standard	Model code	Code	Indent.no.	File no.		
Q66-0642	166-8428	1435	R	66	7799	00	

1785

General specification  
Tactile switches  
**SOU series**

Approved Apr. 20, '15 SW eng. Hirahata	Checked Apr. 20, '15 SW eng. Kawaguchi	Drawn Apr. 20, '15 SW eng. Higaki
Released	Apr. 20, 2015	

1. General

1.1. Application

This specification is applied to side click type tactile switch named SOU series.

1.2. Operating temperature range: -40 to +60 deg-C

1.3. Storage temperature range: -25 to +85 deg-C (Product level)  
-20 to +50 deg-C (Taped condition)

1.4. Test conditions

Normal temperature; 5 to 35 deg-C, normal humidity; 45 to 85% RH.

If any doubt arises from judgement, tests and measurements shall be conducted under the following conditions.

Temperature 20+/- 2deg-C, humidity 65+/-5% RH, and air pressure 86 to 106 kPa.

2. Appearance and Construction

2.1. Dimensions: Specified on Product specifications.

2.2. Materials: Refer to Table-1.

2.3. Appearance: There shall be no defects that affect the performance of the products such as crack, scratch, dirt, discoloration, and contamination.

There may be rare occasions when any substance such as a white stain attaches to the top of cover, but this substance is a constituent of quick-drying grease which doesn't affect the performance of switch.

2.4. Cross section view:

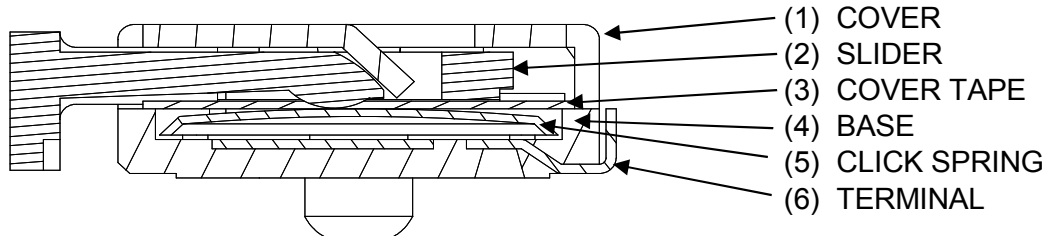


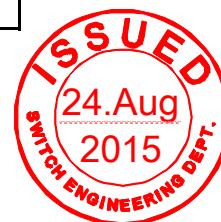
Fig. 1: Cross section of product

Table-1

Components	Material	Note
(1) COVER	Stainless steel	
(2) SLIDER	Nylon 46	
(3) COVER TAPE	Polyimide	
(4) BASE	6T Nylon	
(5) CLICK SPRING	Stainless steel	Ni + Ag plated
(6) TERMINAL	Phosphor bronze	Ag plated

3. Rating

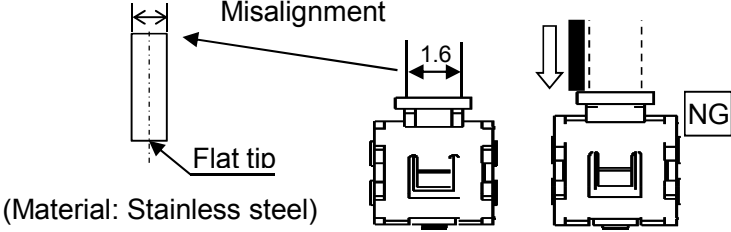
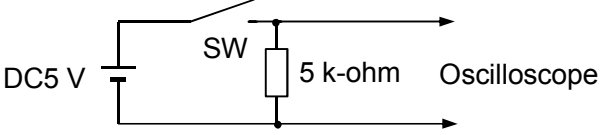

Specified on Product specification.

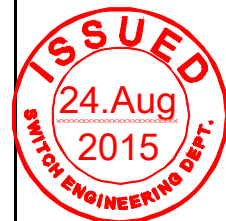


Revision				
	Δ01 x 1	Aug.20,'15	Modification.	Nakashima

Code Division File No.  
**S 66 1785**

## 4. Electric Characteristics

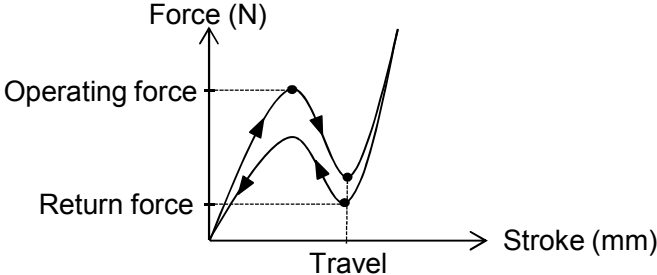
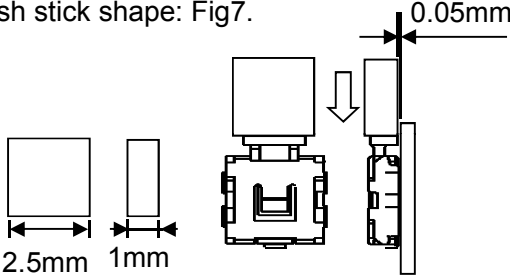
Item	Test conditions	Criteria
4.1. Contact resistance	Measurements shall be made under the conditions shown in Fig. 3. 1) Load: 1.5 to 2 times of the specified standard operating force. 2) Measurement conditions: Contact resistance meter at 20 mV Max. and 50mA Max. Max. 4.0 mm dia. Push direction  (Material: Stainless steel) Fig. 2: Push rod      Fig. 3: Measurement conditions	Specified on Product specifications.
4.2. Insulation resistance	Measurements shall be made under the following conditions. 1) Applied voltage: 100 V, DC 2) Duration: 1 min. 3) Applied position: Between terminals, between terminal and cover.	10 M-ohm Min.
4.3. Withstanding voltage	Measurements shall be made under the following conditions. 1) Applied voltage: 100 V, AC (50/60 Hz) 2) Duration: 1 min. 3) Leak current: 2 mA 4) Applied position: Between terminals, between terminal and cover.	There shall be no damage and breakdown.
4.4. Bounce	Measurements shall be made under the conditions shown in Fig. 3. Bounce time at "ON" and "OFF" shall be measured under the following conditions. 1) Circuit: Refer to Fig. 4. 2) Frequency of operation: 3 to 4 times/sec.  Fig. 4: Circuit  Fig. 5: Bounce	ON bounce: 10 ms Max.  OFF bounce: 10 ms Max.

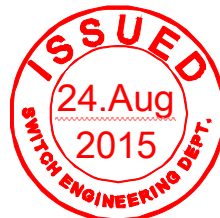


File number

1785

## 5. Mechanical Characteristics

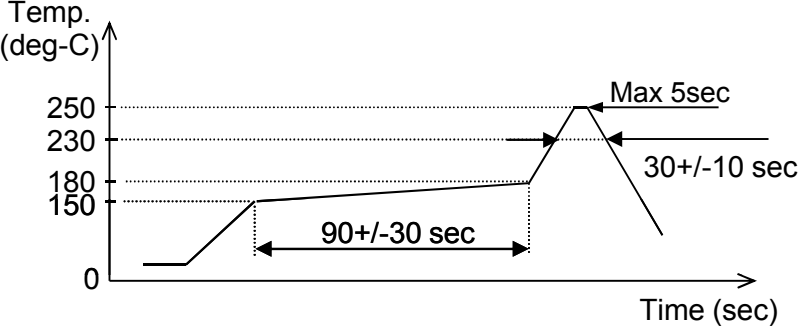
Item	Test conditions	Criteria
5.1. Operating force 5.2. Return force 5.3. Travel	Measurements shall be made under the conditions shown in Fig. 3 just after striking 10 times lightly. 1) Measurement speed: 0.5 mm/sec. 2) Limit load to apply: 1.5 to 2 times of the specified standard operating force.  Fig. 6: Force-Stroke curve	Specified on Product specifications.
5.4. Stopper strength	Measurements shall be made under the conditions shown in Fig. 3 and at returned condition. Load: 50 N Duration: 15 sec. Push stick shape: Fig7.  Fig. 7: Shear strength test	There shall be no electrical and mechanical abnormality.
5.5. Vibration resistance	Measurements shall be made after testing under the following conditions. 1) Vibration frequency range: 10 to 55 Hz 2) Amplitude: 1.5 mm (peak-to-peak) 3) Sweep ratio: 10-55-10 Hz in approx. 1 min. 4) Frequency sweep mode: Logarithmic or Liner sweep 5) Direction of vibration: 3 orthogonal directions including the direction of operation. 6) Duration: 2 hr each (6 hr in total)	There shall be no electrical and mechanical abnormality.
5.6. Impact resistance	Measurements shall be made after testing under the following conditions. 1) Acceleration: 735 m/s <sup>2</sup> 2) Duration: 6 msec 3) Test direction: 6 directions 4) Number of test: 3 times per direction (18 times in total)	There shall be no electrical and mechanical abnormality.



File number

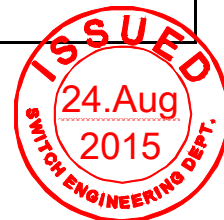
1785

## 5. Mechanical Characteristics

Item	Test conditions	Criteria
5.7. Solderability	Measurements shall be made under the following conditions. 1) Solder temperature: 230 +/- 5 deg-C 2) Dipping time: 3 +/- 0.5 sec. 3) Composition of solder: Sn-3.0Ag-0.5Cu 4) Soldering flux: Rosin 25%, Alcohol 75%	More than 75% of dipped part shall be covered with solder.
5.8. Soldering heat resistance	1) Hand soldering 1-1) Temperature of soldering iron tip: 350 +/- 5 deg- C 1-2) Soldering time: 3 +1/-0 seconds 1-3) The soldering iron should be applied to the terminals. 1-4) Excessive load should not be applied. 1-5) Power of the soldering iron should not exceed 15 W.  2) Reflow soldering 2-1) Heating method: Far-infrared radiation heating 2-2) Temperature profile: As shown in below. 2-3) Allowable soldering time: 2 times Max.   <p style="text-align: center;">Fig. 8: Reflow soldering profile</p> <p>The condition mentioned above is a temperature on the PWB surface on which parts are mounted. There are cases where board's temperature greatly differs from switch's surface temperature, depending on board's material, size, thickness, etc. Please care, therefore, should be used not to allow switch's surface temperature to exceed 250°C.</p>	There shall be no abnormality such as marked looseness, drop-off, and assured 4. Electrical Characteristics.  Operating force: Item 5.1.

## 5.9. Precautions for soldering

- 1) Do not overheat when you solder with soldering iron.
- 2) Do not wash the product with solvent or the like.
- 3) Safeguard the switch assembly against flux penetration from its top side.
- 4) The soldering conditions will be different depending on reflow soldering machines. Conditions of soldering shall be confirmed under actual production conditions.
- 5) Reflow soldering shall be performed in shorter time and at lower temperature. Otherwise click ratio may be decreased.
- 6) Please use the proper amount of solder in order to prevent the flux penetration into the switch.
- 7) Please do not apply soldering flux to the terminals and mounting surface of PWB/FPC.
- 8) Note that if the load is applied to the terminals during soldering it might cause deformation and defects in electrical performance.



File number

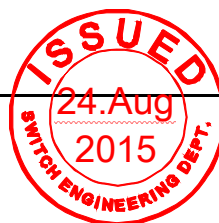
1785

## 6. Durability

Item	Test conditions	Criteria
6.1. Operating life	<p>Measurements shall be made after testing under the following conditions.</p> <ol style="list-style-type: none"> <li>1) Electrical load: Rated load or no load.</li> <li>2) Rate of operation: 2 cycles/sec.</li> <li>3) Depression: The maximum value of specified operating force.</li> <li>4) Cycles of operation: Specified on the product specification.</li> <li>5) Pusher: Material Stainless steel, dia 4.0 Tip: flat shape</li> </ol>	<p>Contact resistance: 10 ohm Max.</p> <p>Insulation resistance: 10 M-ohm Min.</p> <p>Withstanding voltage: Item 4.3.</p> <p>Bounce (ON/OFF): 20 msec Max.</p> <p>Operating force: Within +/-30% of specified initial value.</p> <p>Travel: Item 5.3.</p>

## 7. Environmental

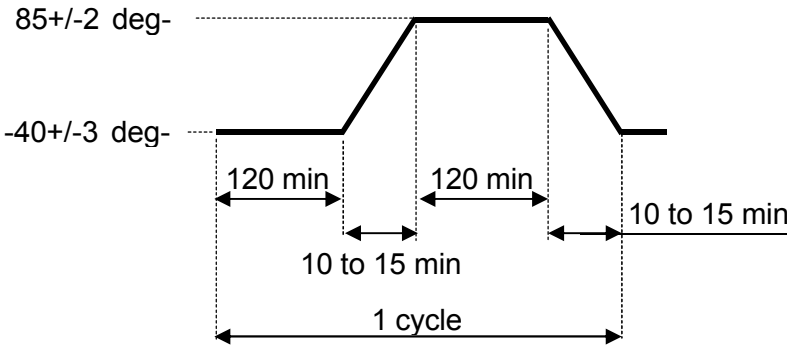
Item	Test conditions	Criteria
7.1. Humidity resistance	<p>Following the test set forth below the sample shall be left in normal temperature and humidity conditions for 1 hr before measurements are made.</p> <p>Water drops shall be removed.</p> <ol style="list-style-type: none"> <li>1) Temperature: 60+/-3 deg-C</li> <li>2) Humidity: 90 to 96% RH</li> <li>3) Duration: 96+/-5 hr</li> </ol>	<p>Contact resistance: 1 ohm Max.</p> <p>Insulation resistance: 10 M-ohm Min.</p>
7.2. Heat resistance	<p>Following the test set forth below the sample shall be left in normal temperature and humidity conditions for 1 hr before measurements are made.</p> <ol style="list-style-type: none"> <li>1) Temperature: 85+/-3 deg-C</li> <li>2) Duration: 96+/-5 hr</li> </ol>	<p>Withstanding voltage: Item 4.3.</p> <p>Bounce (ON/OFF): 20 msec Max.</p>
7.3. Cold resistance	<p>Following the test set forth below the sample shall be left in normal temperature and humidity conditions for 1 hr before measurements are made.</p> <p>Water drops shall be removed.</p> <ol style="list-style-type: none"> <li>1) Temperature: -40+/-3 deg-C</li> <li>2) Duration: 96+/-5 hr</li> </ol>	<p>Operating force: Within +/-30% of specified initial value.</p> <p>Travel: Item 5.3.</p>



File number

1785

## 7. Environmental

Item	Test conditions	Criteria
7.4. Temperature cycling	<p>Following continuous 5 cycles of the temperature cycling test set forth below, the sample shall be left in normal temperature and humidity conditions for 1hr before measurements are made.</p>  <p>Fig. 9: Temperature cycling test conditions</p>	<p>Contact resistance: 1 ohm Max.</p> <p>Insulation resistance: 10 M-ohm Min.</p> <p>Withstanding voltage: Item 4.3.</p> <p>Bounce (ON/OFF): 20 msec Max.</p> <p>Operating force: Within +/-30% of specified initial value.</p> <p>Travel: Item 5.3.</p>

## 8. Use Condition

8.1. Operating temperature range: Refer to the item 1.2.  
(Temperature range which the product is ON and OFF electrically.)  
There shall be no freezing and condensation.

## 8.2. Using environment

- 1) Do not expose the products to corrosive gas such as sulfur gas and salty wind.
- 2) Visible dust must be cleared.
- 3) As the switch may deform and change its quality, please do not apply excessive force to the switch.

## 9. Storage Condition

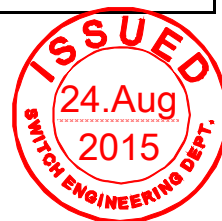
9.1. Storage temperature range: Refer to the item 1.3. There shall be no freezing and condensation.

## 9.2. Environment

- 1) Do not expose the products to corrosive gas such as sulfur gas, and salty wind.
- 2) Visible dust must be cleared.
- 3) Please do not apply excessive load to the products to avoid deformation and deterioration.

## 9.3. Storage method

- 1) Products shall be packed in an airtight plastic bag and stored in cool place avoiding direct sunshine.
- 2) Do not stack too many switches for strafe. Shall be free from high temperature and high humidity.
- 3) The operating part of the switch should be free position in storage.
- 4) Do not store the products in the state of applying load on it's operation area.
- 5) Products should be used within six months after the date of delivery.



File number

1785



## 10. Precautions in Use

- 10.1. Do not clean the products with a solvent or the like.
- 10.2. Do not use the products with beyond the rated current and voltage.
- 10.3. Do not apply excessive load to the terminals and the operating part.
- 10.4. Larger static load than specified and/or shock shall not be applied to the operating part.
- 10.5. The stress shall be not applied to the upper face of the switch.
- 10.6. The switch will be broken, if you give larger stress than specified while operating.  
Take most care not to give both upward and downward stress to the switch when you operate it.
- 10.7. As the switch may be broken, please do no apply a load of more than 5N to the switch bosses.
- 10.8. After mounting the products on PWB/FPC, please do not stack too many PWB/FPC in order to avoid excessive load to the switch mounted area.
- 10.9. The dimensions of a pattern on PWB/FPC shall refer to the recommended dimensions in Product specifications.
- 10.10. Use of organic acid flux shall be avoided because it may cause corrosion of the switch. Please make sure the type of flux before you use it.
- 10.11. As this switch is designed for reflow soldering, if you place it at the edge of PWB for convenience, then flux may get into the sliding part of the switch during automatic dip soldering after being mounted, so do not apply auto dip after being mounted.
- 10.12. If the switch is given stress from the side, the cover may drop off and it may result in damages to switch functions. Therefore, please handle it with extreme care.
- 10.13. The operating part should be moved to the appointed position in order to ensure proper operation.
- 10.14. Do not give stress to the upper face of the switch while operating and use the switch under given stress.
- 10.15. If you use this product in one of the following environmental conditions, progress of sulfuration and oxidization on the contact part (silver) will be accelerated, which may cause contact failure.  
Therefore, be careful about the operation environment.
  - 1) Around a sulfarate hot spring where sulfide gas is generated.
  - 2) In case this product is always used in a place where exhaust gas from automobiles exist.
- 10.16. If you push the edge of the operating part, (refer to Fig.3) the switch might not operate properly. Therefore, pressure to the operating part shall be applied to the whole surface equally and avoid the pressured to the specific one portion.
- 10.17. Unless provided for otherwise, the products have been designed and manufactured for application in equipment and devices which are sold to end users in the market, including audio-visual equipment, electrical home appliances, office machines, information and communication equipment, and amusement equipment.  
The products are not intended for use in, and must not be used for, any application for nuclear equipment, driving equipment for aerospace or any other unauthorized use. With the exception of the abovementioned prohibited applications, please contact us (MITSUMI) and/or evaluate the total system regarding applicability for applications involving high levels of safety and liability such as medical equipment, burglar alarm equipment, disaster prevention equipment and undersea equipment. Please also incorporate fail-safe design, protection and redundant circuitry, malfunction protection, and/or fire protection into the complete system to ensure safety and reliability of the total system.
- 10.18. If you intend to use the products for automotive, please let us know beforehand.



File number

1785

## 11. MANUFACTURING LOCATION

< Sales Section >

MITSUMI ELECTRIC CO.,LTD.  
2-11-2 Tsurumaki, Tama-shi, Tokyo, Japan

< Management Section >

MITSUMI ELECTRIC CO.,LTD., Kyushu Business Division  
1049 Tateiwa, Izuka-shi, Fukuoka, Japan

< Manufacturing Section >

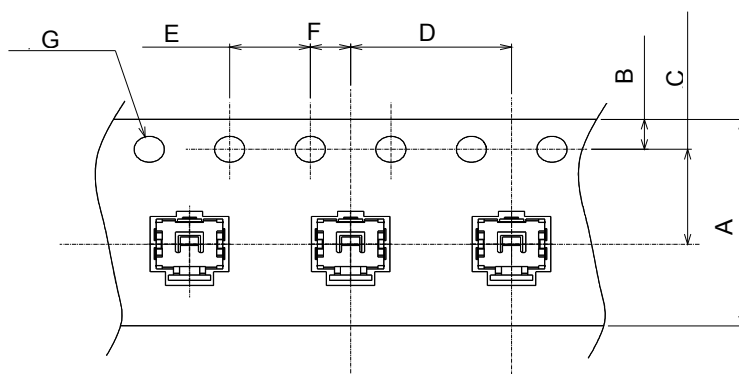
QINGDAO MITSUMI ELECTRONICS CO.,LTD.  
No.2, Dayangzhou Road, Qingdao West Coast Export Processing Zone, Qingdao city,  
Shandong Province, People's Republic of China

## 12. Packing Specification

12.1. Dimensions of carrier tape are as shown below.

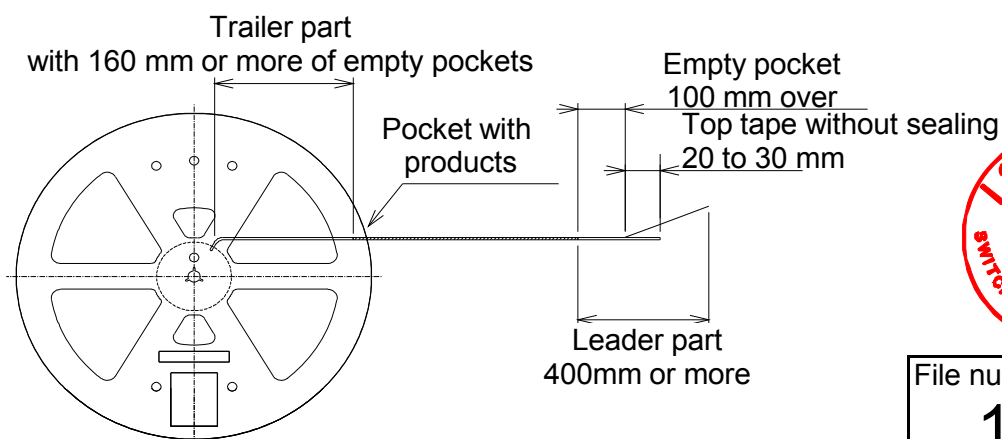
12.2. Taping rule

- 1) Tape winding direction is in clockwise.  
(When pulling the tape toward, feeding holes should be located on the right side.)
- 2) Feeding holes shall not be covered with the cover tape.  
The cover tape shall not be run off the edge of the carrier tape.
- 3) 160 mm or more from the end of trailer tape part shall be empty.
- 4) The leader part shall be 400 mm or more and it should include 100 mm of empty part.  
The leader part shall have 20 to 30 mm of un-sealed cover tape.
- 5) The top tape of the leader part shall be stuck on the side of the reel by 30 to 50 mm using adhesive tape.
- 6) Peeling strength of cover tape from carrier tape is 0.1 to 1.3 N at 165 to 180 deg.
- 7) Switch shall be packed in single direction.
- 8) 5,000 switches shall be packed in a reel.
- 9) Bar-code label and Mitsumi label shall be stuck on the side of the reel.
- 10) The products shall free drop from the reversed carrier tape without cover tape after pressing at 0.1 to 0.2 N force.



A	B	C	D	E	F	G
12	1.75	5.5+/-0.1	8	4+/-0.1	2+/-0.1	1.5 dia +0.1/-0

Fig. 10 Carrier tape dimensions

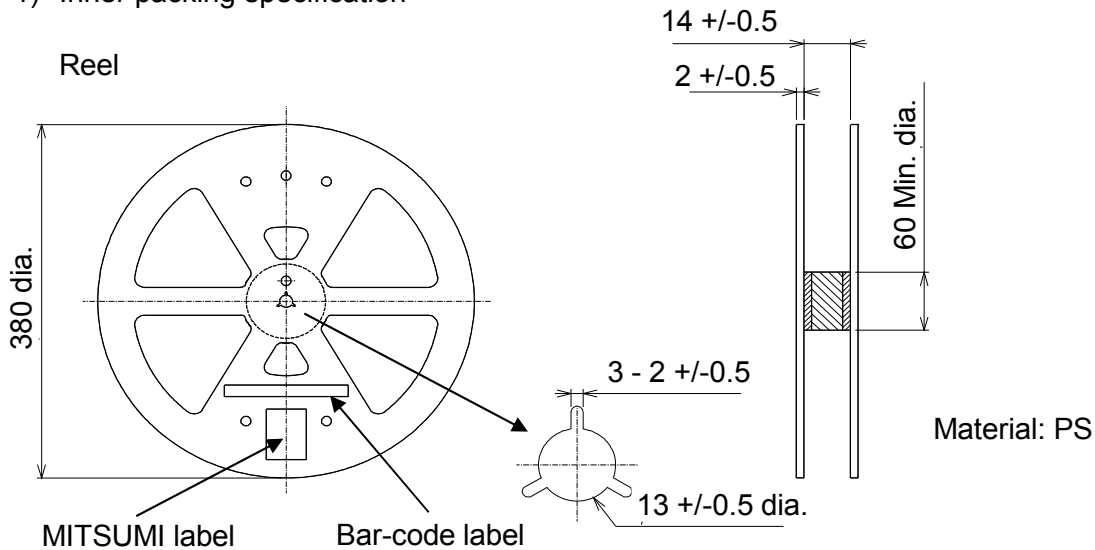


File number

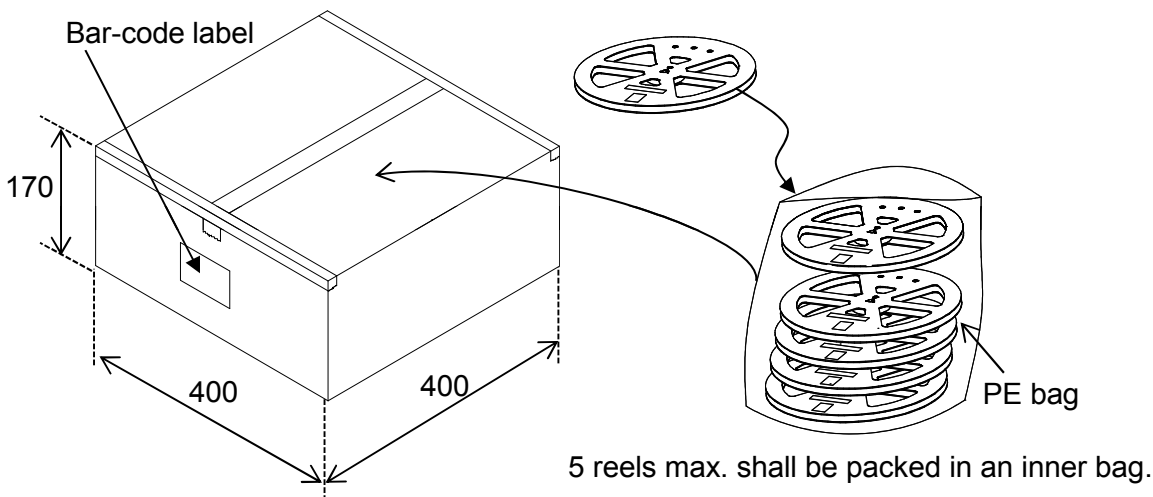
1785

### 13. Packing Specification

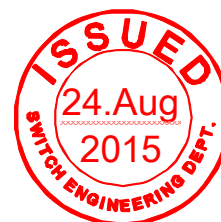
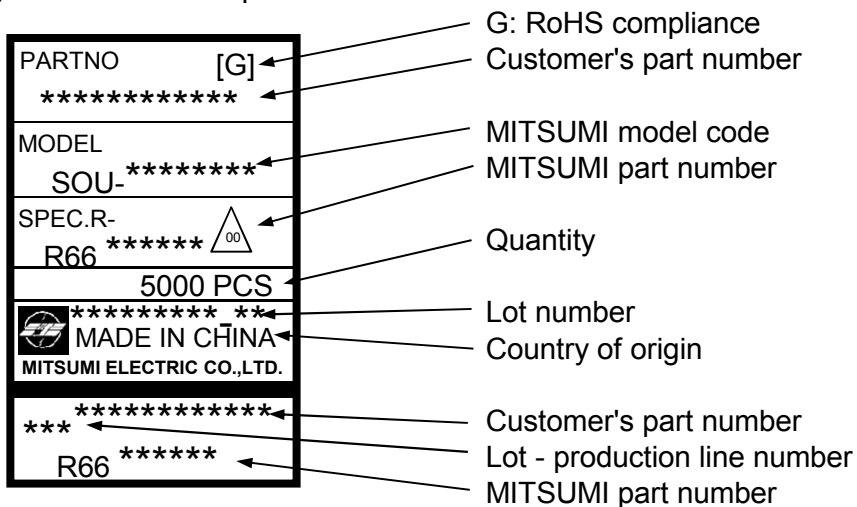
#### 1) Inner packing specification



#### 2) Outer box specification



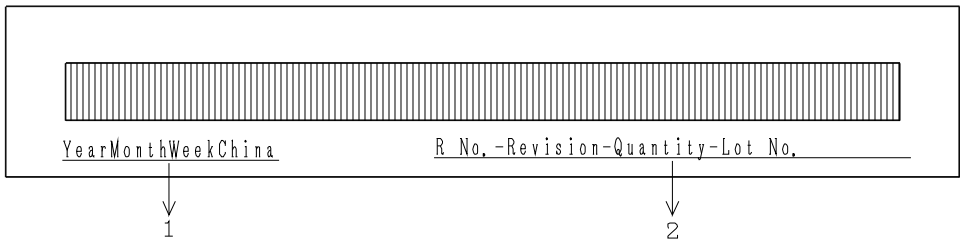
#### 3) MITSUMI label specification



File number  
**1785**

### 13. Packing Specification

#### 4) Bar code label



Bar code label description :

1. Example : 7 O V E

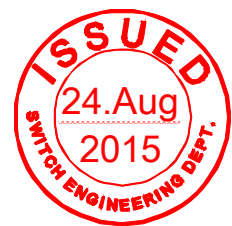
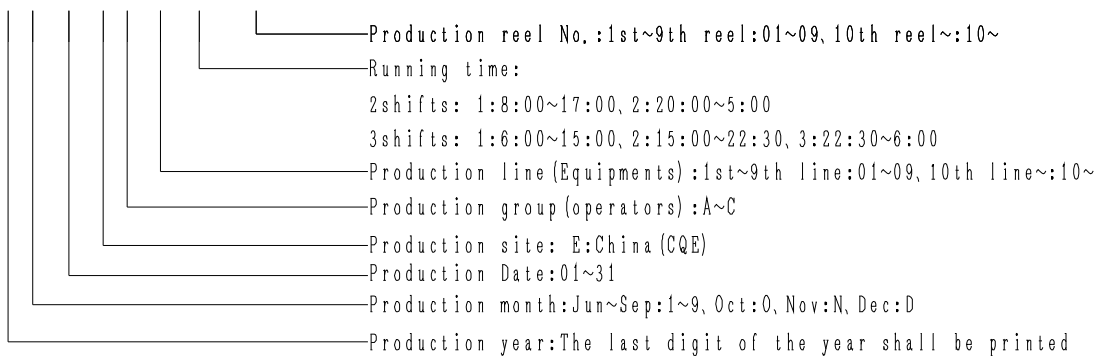


2. Example : R 6 6 3 9 2 2 - 1 1 - 0 1 0 0 0 0 - 7 0 0 4 E A 0 1 1 - 0 1



Lot No. description

7 0 0 4 E A 0 1 1 - 0 1



File number  
**1785**