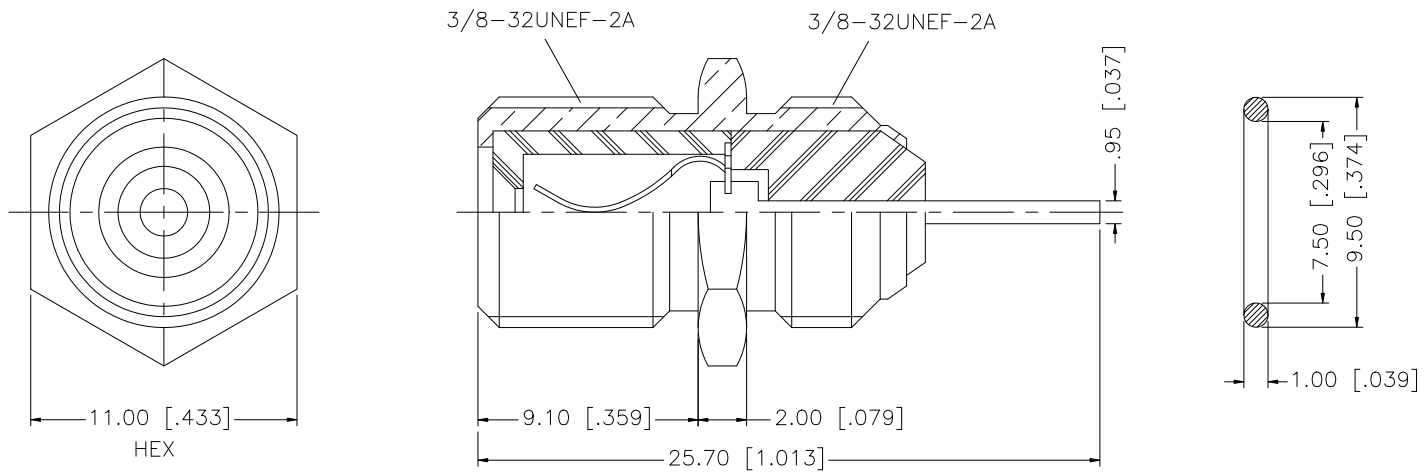
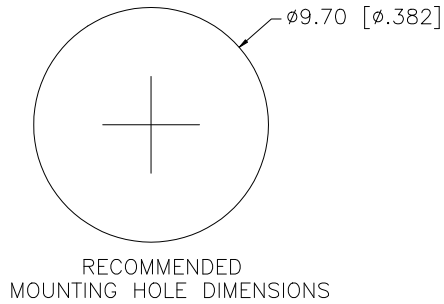


REV.	DATE	DESCRIPTION
A	01/25/99	ADD MOUNTING HOLE DIMENSION
B	06/14/07	UPDATE DRAWING FORMAT



QTY	FINISH	MATERIAL	DESCRIPTION
1	NICKEL	BRASS	BODY
1	NATURAL	P.P	INSULATOR
1	BRIGHT TIN	BRASS	CONTACT PIN
1	NATURAL	DELRIN	INSULATOR
1	BLACK	N.B.R.	GASKET

UNLESS OTHERWISE SPECIFIED DIMENSIONS ARE IN MILLIMETERS. DIMENSIONS IN [ ] ARE IN INCHES AND FOR CUSTOMER REFERENCE ONLY.

UNLESS OTHERWISE SPECIFIED TOLERANCES FOR MILLIMETERS ARE:  
0.5 - 8mm ± 0.20mm  
8 - 30mm ± 0.40mm  
30 - 120mm ± 0.50mm

UNLESS OTHERWISE SPECIFIED TOLERANCES FOR INCHES ARE:  
.020 - .315 = ± 0.007"  
.315 - 1.180 = ± 0.015"  
1.180 - 4.724 = ± 0.020"

DO NOT SCALE DRAWING

APPROVALS	DATE
DRAWN G.R.S.	06/14/07
CHECKED	
ISSUED	
SHEET 1 OF 1	
CAD FILE	C:/222/222144.DWG

<b>Amphenol Connex</b>			
PART DESCRIPTION			
F STRAIGHT RECEPTACLE - EXTENDED CONTACT			
PART NO. 222144			
DWG. NO.	222144.DWG	REV. B	SCALE NA