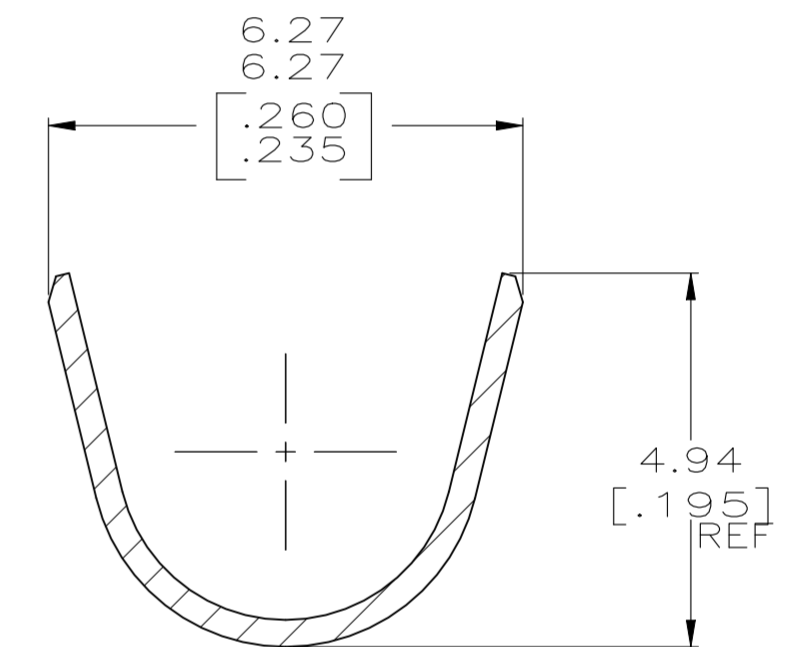
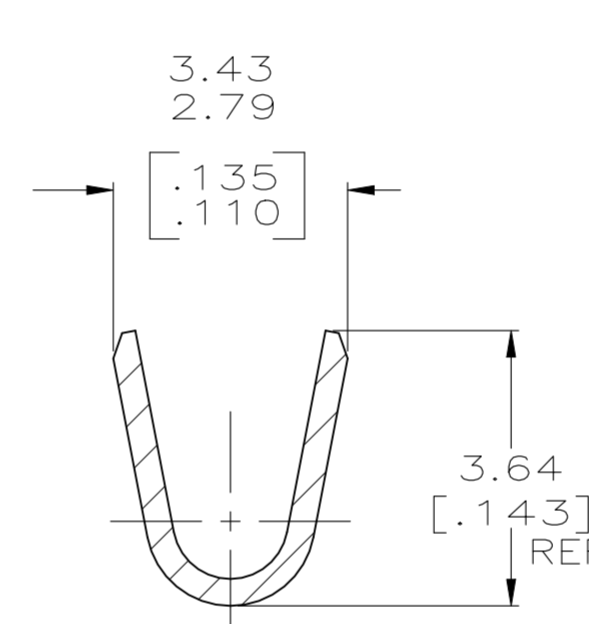
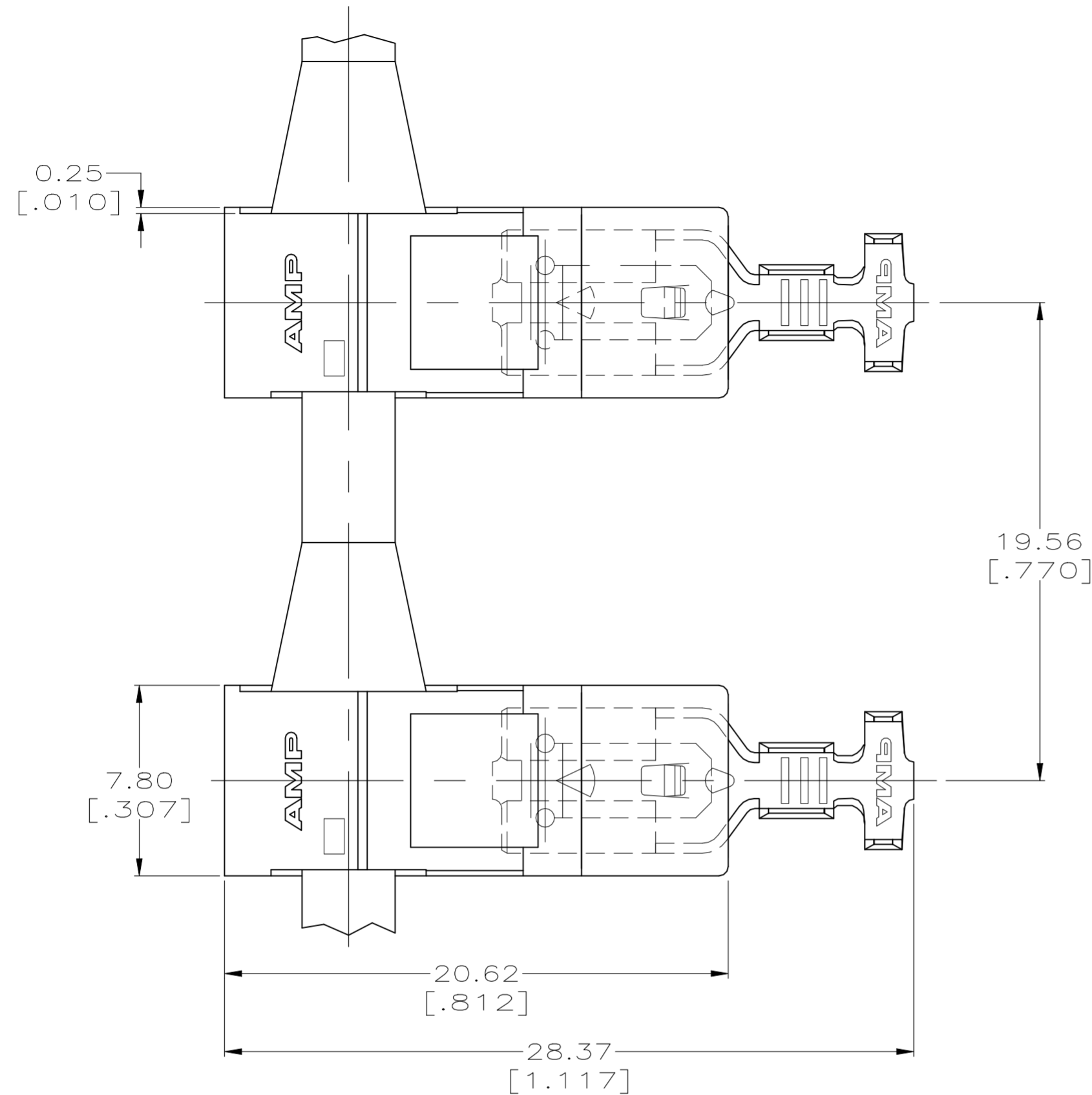


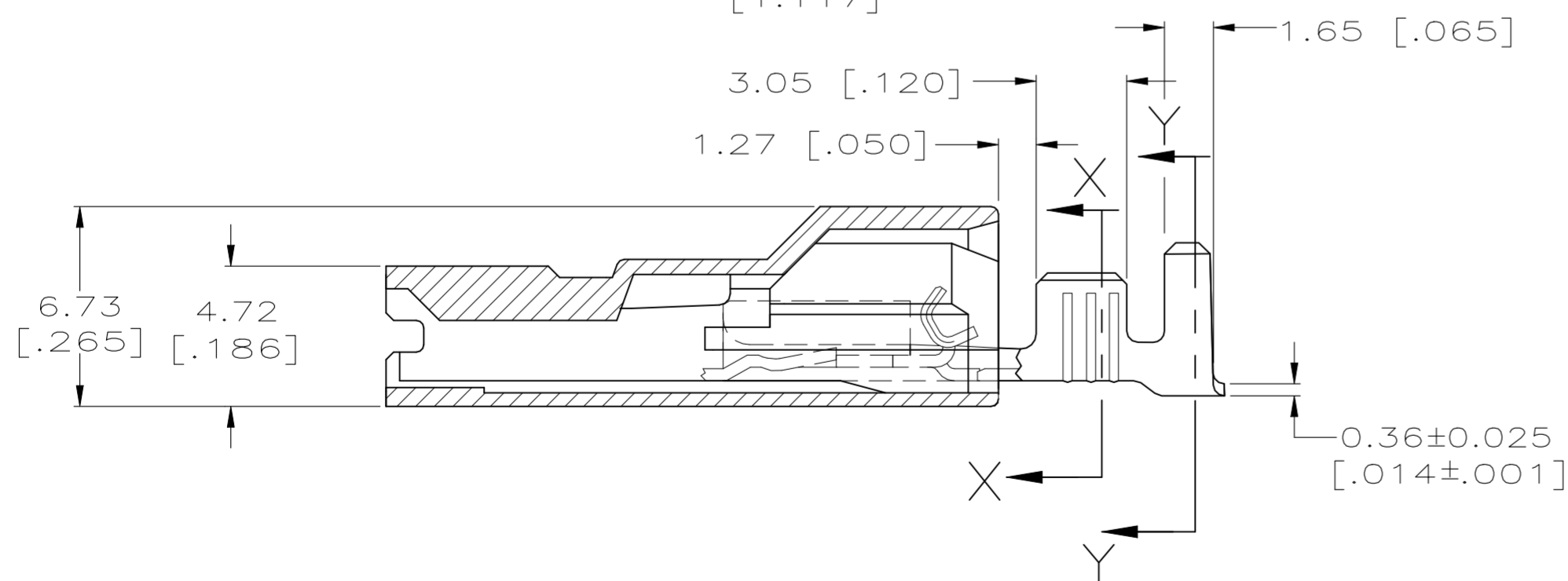
REVISIONS					
P	LTR	DESCRIPTION	DATE	DWN	APVD
E1		REVISED PER ECR-22-160893	14DEC2022	DB	BW

- 1 WIRE SIZE IS [#18-#14] AWG.
- 2 INSULATION RANGE IS 2.79-4.57[.110-.180] DIA.
2.79-3.56 [.110-.140] DIA - CRIMP WIDTH 4.57 [.180], F TYPE
3.56-4.57 [.140-.180] DIA - CRIMP WIDTH 4.57 [.180], O TYPE
- 3 MATING TAB THK TO BE 0.51±0.025[.020±.001]



SECTION X-X
SCALE 10:1

SECTION Y-Y
SCALE 10:1



TIN PLATE	521271-2
-	521271-1
PLATING	PART NO.

THIS DRAWING IS A CONTROLLED DOCUMENT.		DWN	24FEB00		TE Connectivity
DIMENSIONS:		CHK	24FEB00		
mm [INCHES]		APVD	24FEB00		
TOLERANCES UNLESS OTHERWISE SPECIFIED:		PRODUCT SPEC			
0 PLC	± -	APPLICATION SPEC		NAME	ASSEMBLY, RECEPT, POSI-LOCK, ULTRA-POD, 4.75 [.187] SERIES
1 PLC	± -			SIZE	A2
2 PLC	± 0.25 [.010]			CAGE CODE	00779
3 PLC	± -			DRAWING NO	C=521271
4 PLC	± -			RESTRICTED TO	-
ANGLES	± -	WEIGHT	0.000000	SCALE	5:1
MATERIAL	TERMINAL - BRASS	FINISH	TERMINAL - SEE TABLE	SHEET	1 OF 1
HOUSING - 6/6 NYLON, V2	HOUSING - NATURAL			REV	E1
		CUSTOMER DRAWING			