

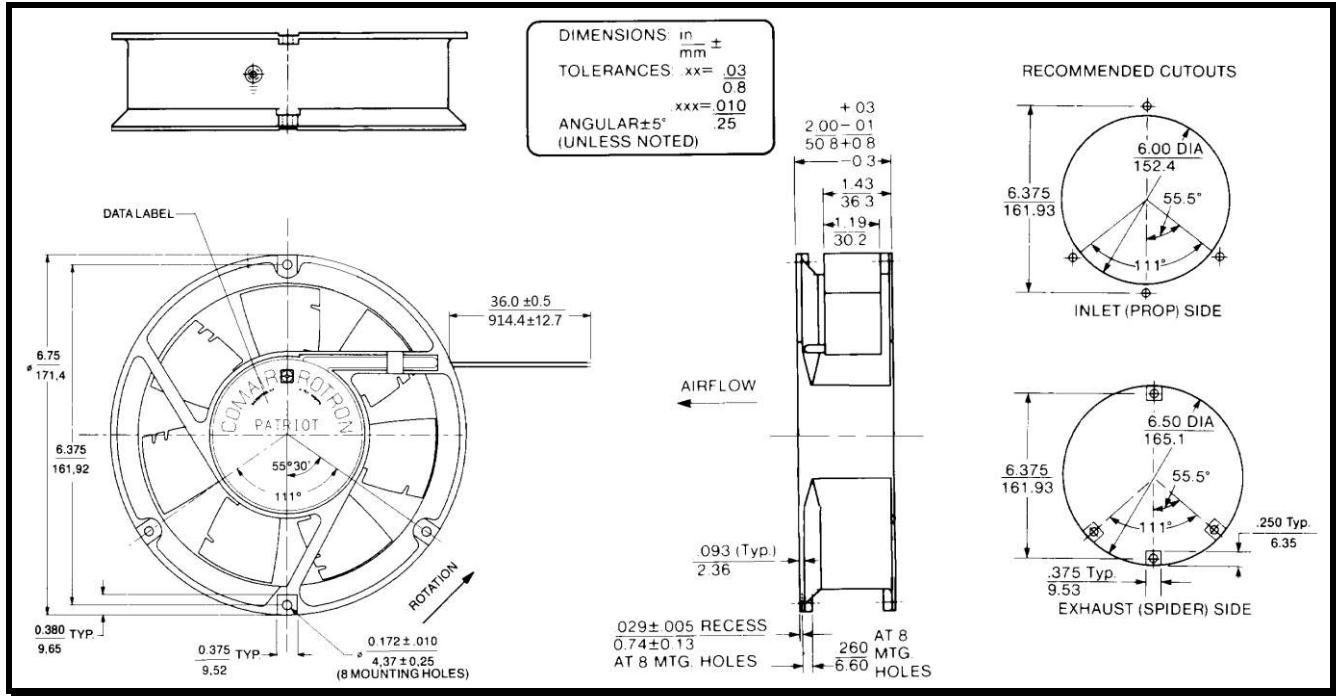
SPECIFICATIONS



Model Number: PQD24Z3E2X-E3
Part Number: 17001195A

Rev: 00
Jun 12, 2018

Mechanical Drawing:



Motor:

Nominal Voltage	= 24 vdc
Operating Voltage Range	= 16 – 32 vdc
Nominal Running Current	= 1.30 amps
Locked Rotor Current	= 3.00 amps
Running Power	= 31.2 watts
Average Speed	= 4500 rpm
Bearings	= Ball
Air Flow	= 305 CFM
Max. Static Pressure	= 1.37" H ₂ O
Acoustic	= 60.4 dBA

Construction:

Venturi: Die-Cast Aluminum, Black
 Propeller: Polycarbonate, Black, UL 94V-0

Termination:

12" ± 1" (304.8 ± 25.4mm)	22AWG UL1061 Leadwires
Red	= Power(+)
Black	= Return(-)
Blue/White	= Tach output
Yellow	= PWM control

Additional Features:

Brushless DC Motor	
Soft Start Inrush Current	
Electronic Locked Rotor Protection	
Polarity Protected	
Automatic Restart Capability	
Operating Temperature:	-10°C to 70°C
Storage Temperature:	-40°C to 85°C
Environmental Protection:	Type 3(IP68)

TACHOMETER:

Output:	Open Collector
I _c :	20 mA max.
V _{cc} :	32 Vdc max.
Pulses per Revolution:	2
Isolated:	No

Speed Control:

PWM:	200 ~ 2 KHz, Open Collector
<10% Duty:	Off
10%~95% Duty:	Linear Ramp
>95% Duty or Open Lead Wire:	Full Speed

Agency Approvals:

UL, CUL, CE

PQ Curve:

