

4

3

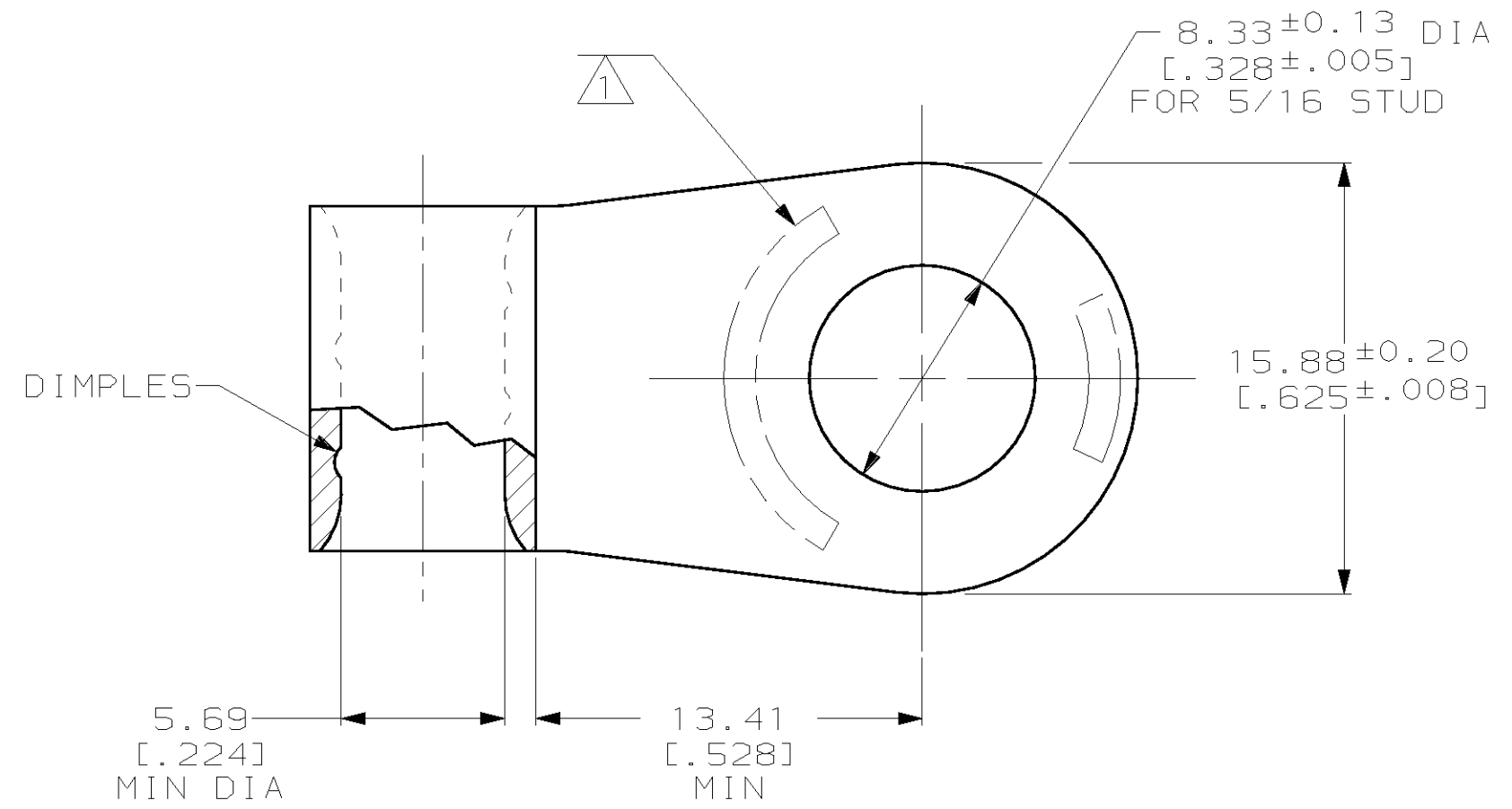
2

1

THIS DRAWING IS UNPUBLISHED. RELEASED FOR PUBLICATION, 19 .

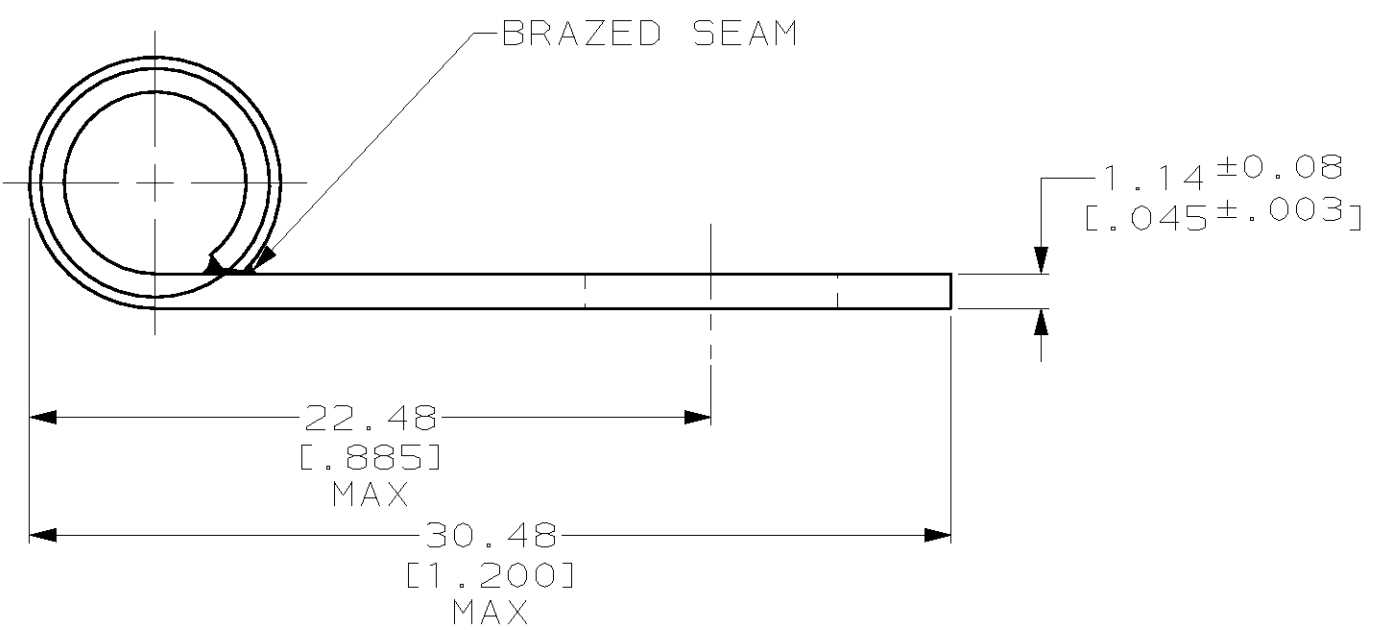
© COPYRIGHT 19 BY AMP INCORPORATED. ALL RIGHTS RESERVED.

LOC	DIST	REVISIONS			
P	LTR	DESCRIPTION	DATE	DWN	APVD
G	14	C	REVISED PER 0L20-0223-97	100CT97	DKS MJS



AMP WIRE RANGE	UL E13288 Listed
6 AWG SOLID OR STRANDED	6 AWG STRANDED
SF LR7189 Certified	MILITARY P/N AND CLASS
6 AWG SOLID OR STRANDED	NOT APPLICABLE

1 STAMP AMP 6W* 23-30 APPROX AS SHOWN



321056
AMP
PART NUMBER

AMP INCORPORATED
CUSTOMER SERVICE SYSTEMS

FOR ADDITIONAL PRODUCT INFORMATION OR COPIES OF DRAWINGS AND TECHNICAL DOCUMENTS: PRODUCT INFORMATION CENTER 1-800-522-6752

FOR APPLICATION TOOLING INFORMATION: TOOLING ASSISTANCE CENTER 1-800-722-1111

FOR ORDER ENTRY: 1-800-526-5142

RECOMMENDED OPERATING TEMPERATURE: 170°C MAX

VOLTAGE RATING: NOT APPLICABLE

WIRE CROSS SECTIONAL AREA RANGE: 10.5-16.8mm² [20,800-33,100] CIR MILS SOLID OR STRANDED

THIS DRAWING IS A CONTROLLED DOCUMENT FOR AMP INCORPORATED. IT IS SUBJECT TO CHANGE AND THE CONTROLLING ENGINEERING ORGANIZATION SHOULD BE CONTACTED FOR THE LATEST REVISION.

DIMENSIONS:	TOLERANCES UNLESS OTHERWISE SPECIFIED:
mm [INCHES]	
	0 PLC ±-
	1 PLC ±-
	2 PLC ±0.20 [.008]
	3 PLC ±-
	4 PLC ±-
ANGLES ±-	

MATERIAL: COPPER PER ASTM B-152 ANNEALED

FINISH: TIN PLATE 0.00254 [.000100] MIN THK PER ASTM B-545

DWN: DK SCHRUM 100CT97	AMP Incorporated Harrisburg, PA 17105-3608
CHK: MJ SPICER 130CT97	
APVD: JL MECKLEY 130CT97	
PRODUCT SPEC: -	
APPLICATION SPEC: -	NAME: TERMINAL, RING TONGUE, FLAG, SOLISTRAND™
WEIGHT: -	SIZE: A3
CUSTOMER DRAWING	CAGE CODE: 00779
	DRAWING NO: C-321056
	SCALE: 4:1
	SHEET: 1 OF 1
	REV: C