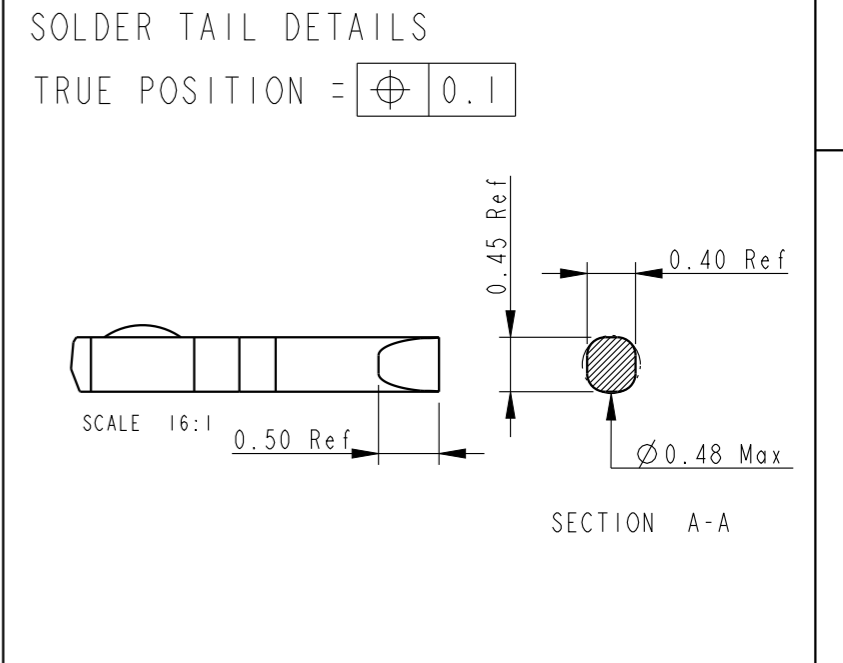
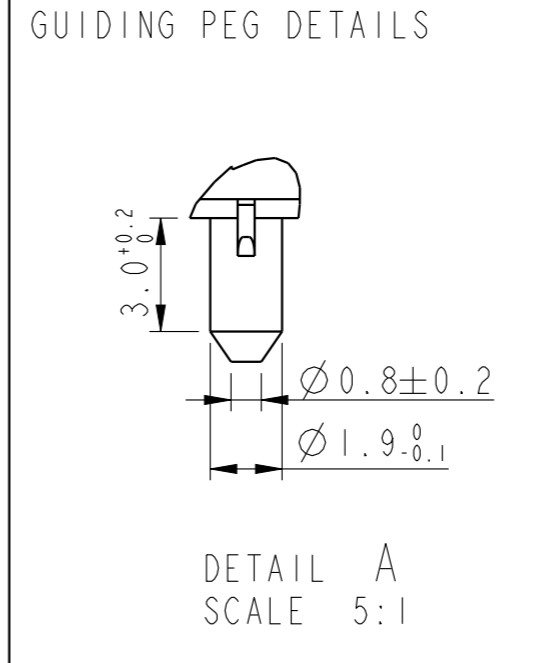
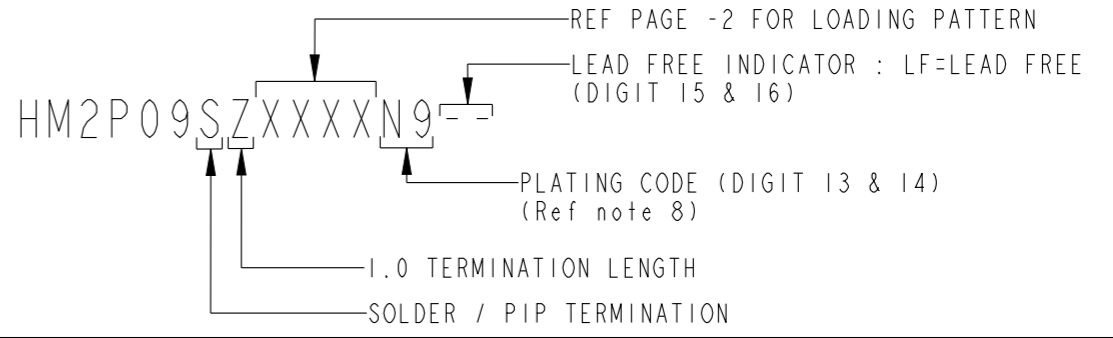
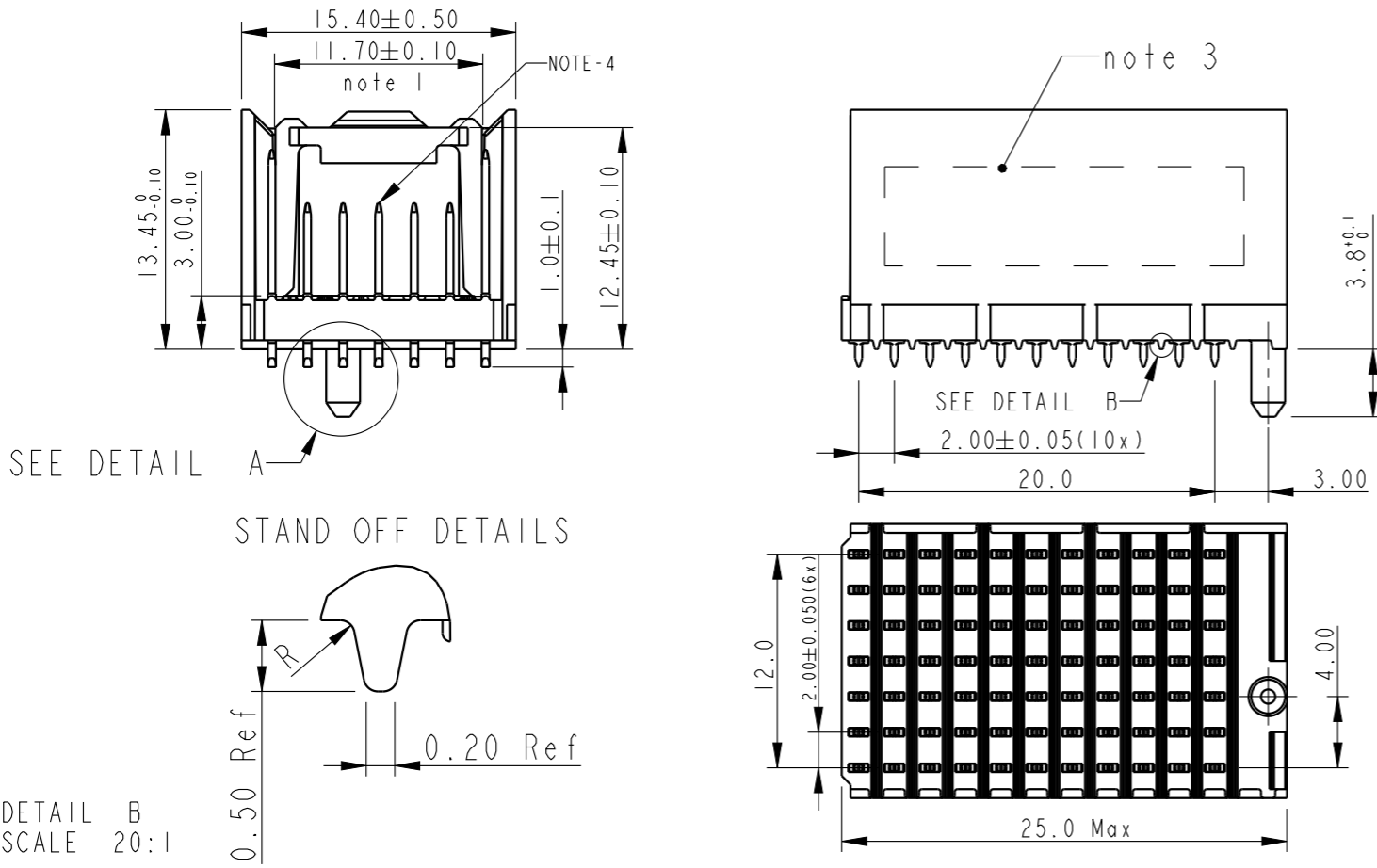
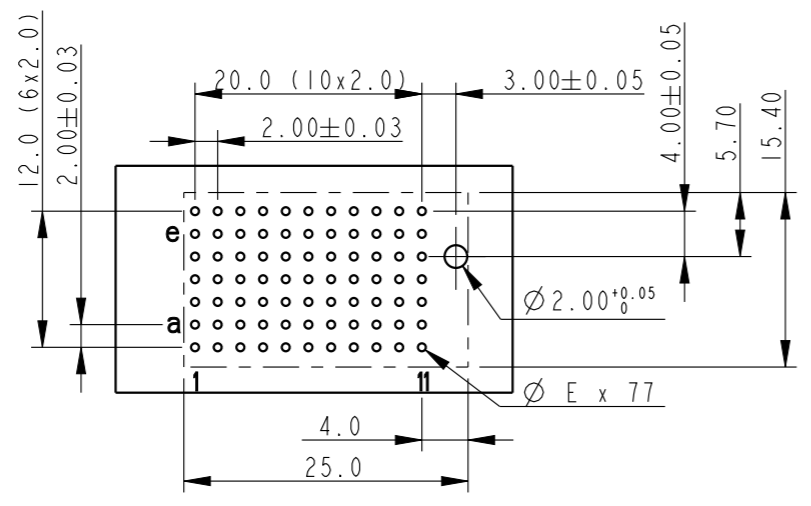


LOADED CONNECTOR ASSEMBLY
(For Eg. HM2P09SZ5111----



PCB LAYOUT & HOLE DIMENSIONS
(For Eg. HM2P09SZ5111----



Dim	Finished Hole Dia	Cu Thickness	Sn Thickness	Drilled Hole Dia
E	0.65 - 0.80	0.025 - 0.050	0.008 - 0.012	0.72 - 0.92

True Position (All Holes) =

rev	ecn no	dr	date
A	106-0208	AB	2007-09-28
B	111-0126	AB	2011-06-21
-	-	-	-
-	-	-	-
-	-	-	-

- NOTES :
- MEASURED AT THE BOTTOM
 - MATERIAL CONTACT : PHOSPHOR BRONZE
HOUSING : HIGH TEMPERATURE POLYMER - BLACK
 - CONNECTOR PRINTED WITH P/N AND DATE CODE
 - FOR ACTUAL CONTACT LOADING,SEE LOADING PATTERN MATING SIDE
 - THE SOLDER CONTENT IN THE PASTE SHOULD BE SUFFICIENT TYPICALLY 50% VOLUME PERCENTAGE. THE SCREEN PRINTING PROCESS (ANGLE,SPEED,PRESSURE ETC) MUST BE OPTIMISED SO THAT ENOUGH SOLDER IS AVAILABLE.(PASTE THICKNESS = 0.15MM)
 - THE PRODUCT (LF) MEETS EUROPEAN UNION DIRECTIVES AND OTHER COUNTRY REGULATIONS AS DESCRIBED IN GS-22-008
 - THIS PRODUCT WITHSTANDS 260°C FOR 10 SECS FOR PIN IN PASTE APPLICATION
 - PLATING DETAILS:
TERMINATION SIDE : Sn (MATT FINISH)
CONTACT SIDE : N9 (IEC PERFORMANCE LEVEL 2)
 - MISSING INFORMATION & DIMENSIONS PER IEC 61076-4-101

www.fciconnect.com		surface - ✓ ISO 1302	tolerance std ISO 406 ISO 1101	projection mm
TOLERANCES UNLESS OTHERWISE SPECIFIED				
Dr	Alex Babu	2006-12-14	ANGULAR	0.X ±0.2
Eng	Alex Babu	2011-06-21	LINEAR	0.XX ±0.1
Chr	-	-	0° ±1°	0.XXX ±0.05
Appr	Biju K Paul	2011-06-21	Product family	MILLIPACS
REL Level				RELEASED
MILLIPACS TYPE-C STR HDR (PIP VERSION)			dwg no	BSC203204003
catalog no			HM2P09SZ5111----	Product - Customer Drw
sheet 1 of 3				Rev. B

Copyright FCI.

LOADING PATTERN MATING SIDE

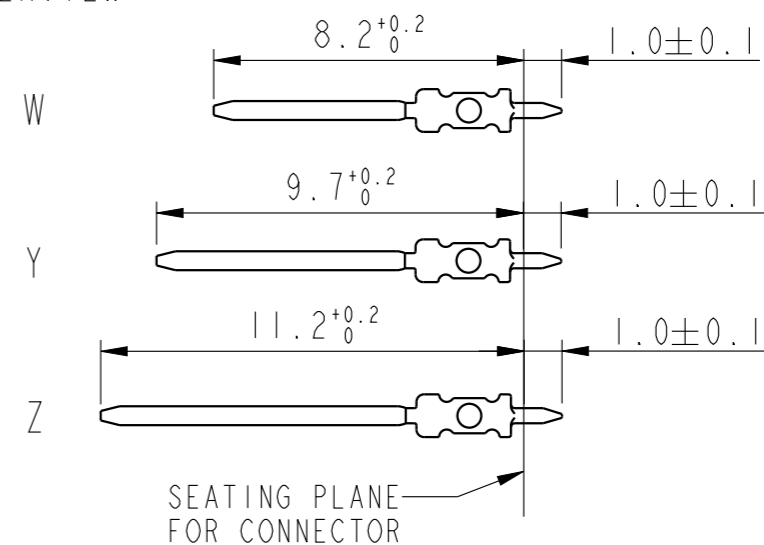
Cat No : HM2P09SZ5111----

f	Z	Z	Z	Z	Z	Z	Z	Z	Z	Z	Z
e	W	W	W	W	W	W	W	W	W	W	W
d	W	W	W	W	W	W	W	W	W	W	W
c	W	W	W	W	W	W	W	W	W	W	W
b	W	W	W	W	W	W	W	W	W	W	W
a	W	W	W	W	W	W	W	W	W	W	W
z	Z	Z	Z	Z	Z	Z	Z	Z	Z	Z	Z
ROWS	1	2	3	4	5	6	7	8	9	10	11
POS											

Cat No : HM2P09SZ5110----

f	0	0	0	0	0	0	0	0	0	0	0
e	W	W	W	W	W	W	W	W	W	W	W
d	W	W	W	W	W	W	W	W	W	W	W
c	W	W	W	W	W	W	W	W	W	W	W
b	W	W	W	W	W	W	W	W	W	W	W
a	W	W	W	W	W	W	W	W	W	W	W
z	0	0	0	0	0	0	0	0	0	0	0
ROWS	1	2	3	4	5	6	7	8	9	10	11
POS											

CONTACT OVERVIEW

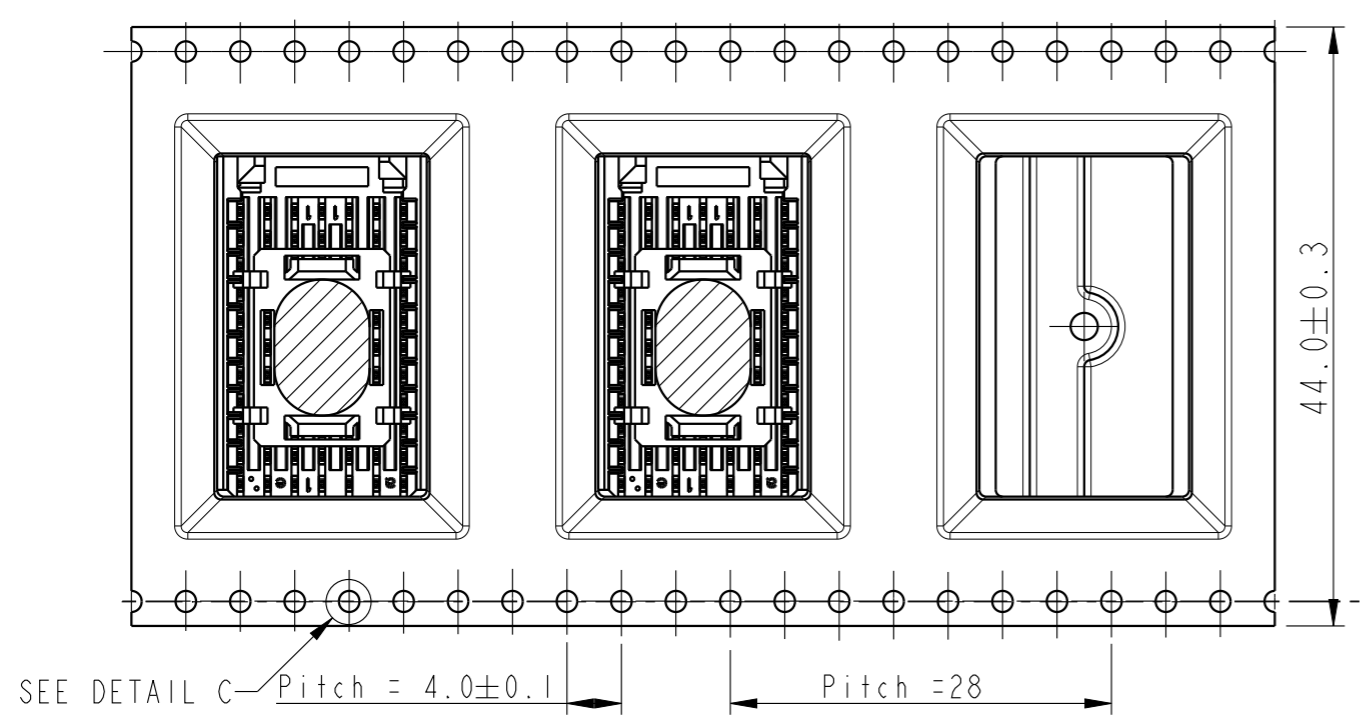


www.fci.com		surface - ✓ ISO 1302	tolerance std ISO 406 ISO 1101	projection ⊕	mm ↔
TOLERANCES UNLESS OTHERWISE SPECIFIED					
Dr	Alex Babu	2006-12-14	ANGULAR	0.X	±0.2
Eng	Alex Babu	2011-06-21	LINEAR	0.XX	±0.1
Chr	-	-	0° ±1°	0.XXX	±0.05
Appr	Biju K Paul	2011-06-21	Product family	MILLIPACS	Spec ref RELEASED
			MILLIPACS TYPE-C STR HDR (PIP VERSION)		dwg no BSC203204003 Rev. B
catalog no			HM2P09SZ5111----		Product - Customer Drw sheet 2 of 3

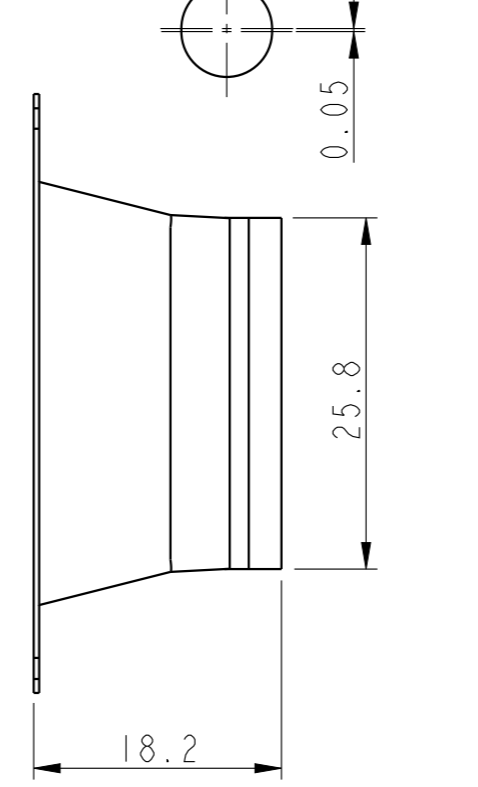


TAPE ON REEL PACKAGING DETAILS

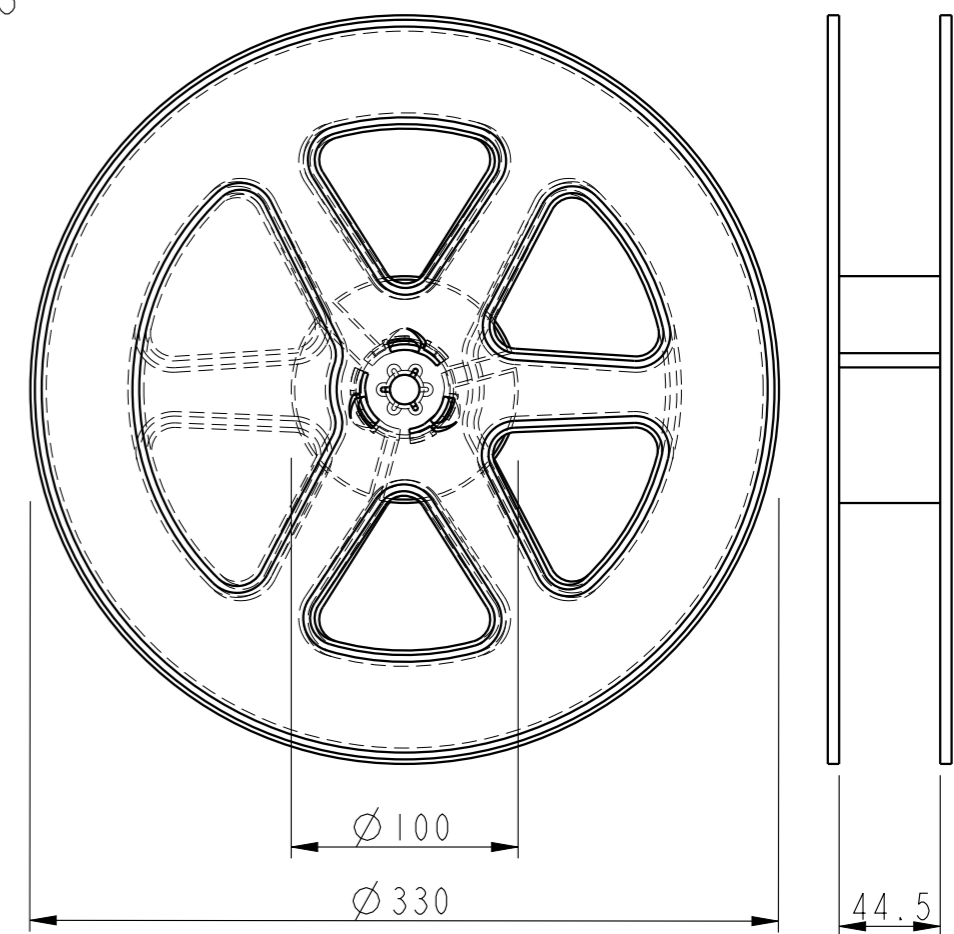
Reel Off Direction



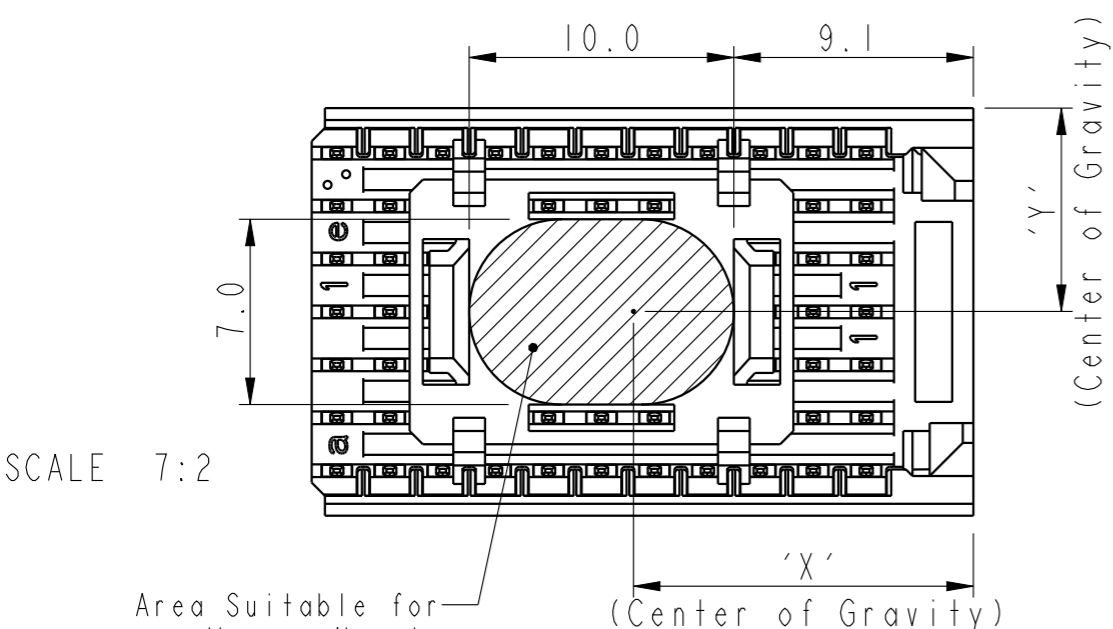
DETAIL C
SCALE 8:1



SCALE 9:5



SCALE 3:10



SCALE 7:2

NOTES :

- 1 , CONNECTORS PACKED PER REEL : 110 PIECES
- 2 , PACKAGING DETAILS AS PER EIA-481-B
- 3 , PACKING SHOULD BE ANTISTATIC
- 4 , MATERIAL
CARRIER TAPE : POLYSTYRENE
COVER TAPE : POLYESTER
- 5 , CONNECTOR CAN BE PICKED UP WITH A MECHANICAL GRIPPER OR A VACUUM NOZZLE DIAMETER UPTO 6 MM

Catalogue No.	Center of Gravity		Weight gms
	'X' mm	'Y' mm	
HM2P09SZ5111----	12.8	7.7	4.2
HM2P09SZ5110----	12.6	7.7	3.7

www.fciconnect.com		surface - <input checked="" type="checkbox"/> ISO 1302	tolerance std <input checked="" type="checkbox"/> ISO 406 <input type="checkbox"/> ISO 1101	projection	mm
TOLERANCES UNLESS OTHERWISE SPECIFIED					
Dr	Alex Babu	2006-12-14	ANGULAR	0.X ±0.2	size A3
Eng	Alex Babu	2011-06-21	LINEAR	0.XX ±0.1	Scale 2:1
Chr	-	-	0° ±1°	0.XXX ±0.05	ECN 106-0208
Appr	Biju K Paul	2011-06-21	Product family	MILLIPACS	Spec ref RELEASED
		TITLE MILLIPACS TYPE-C STR HDR		dwg no BSC203204003	Rev. B
		catalog no HM2P09SZ5111----		Product - Customer Drw sheet 3 of 3	



Copyright FCI.