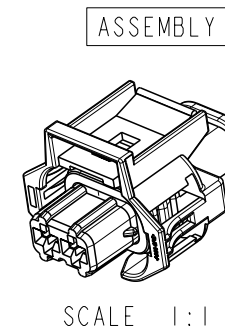
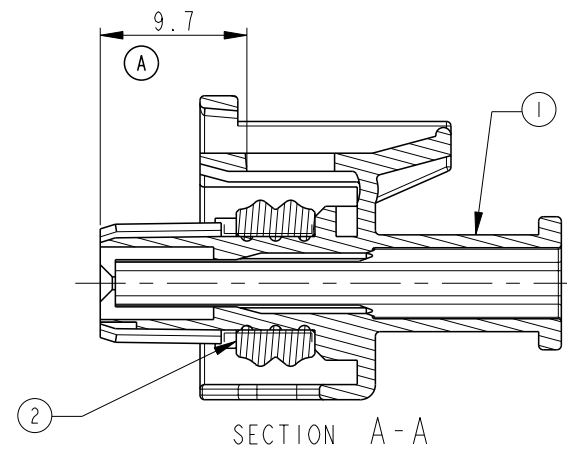
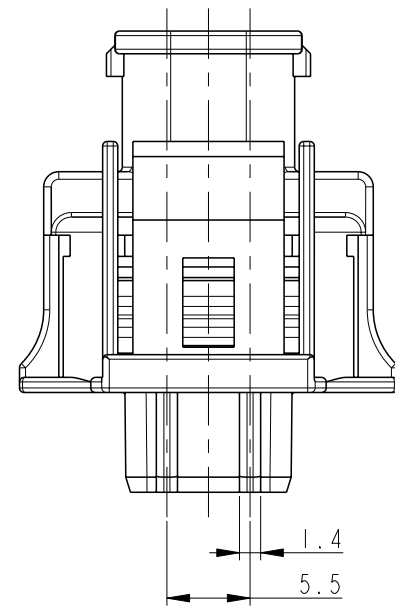
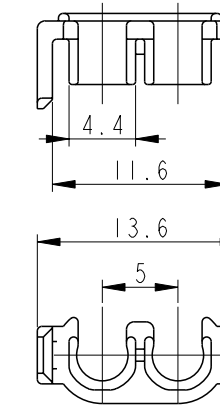


REVISIONS				
P	LTR	DESCRIPTION	DATE	APVD
H1		REVISED(ECR-19-000557)	11JAN2019	SY YJ
H2		REVISED(ECR-19-008472)	29MAY2019	SY YJ
H3		REVISED(ECR-20-007016)	15MAY2020	JS YJ
H4		REVISED(ECR-20-007330)	21MAY2020	JS YJ

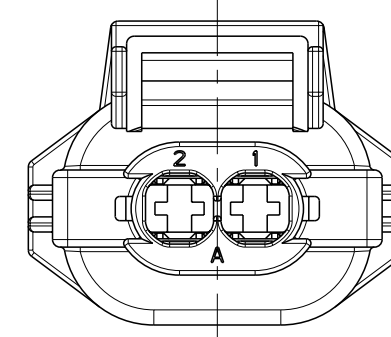
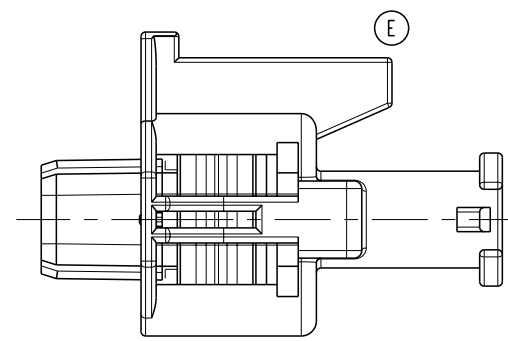
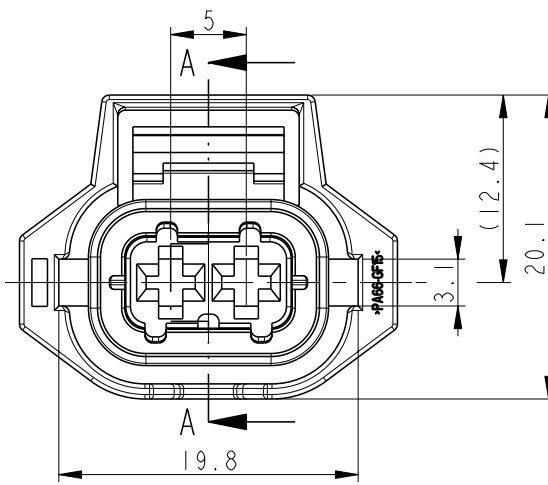
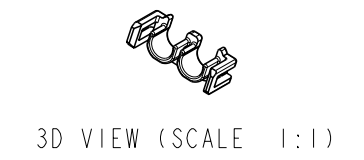


ACCESSORIES DRAWING

⑥ 1. DBL HSG : P/N:936103

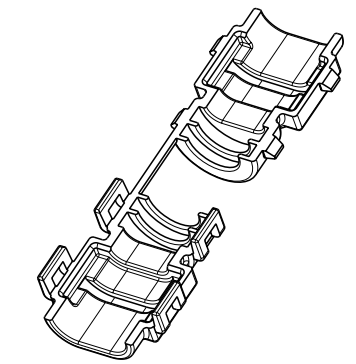


NOTE
 ⑥ 1. MATERIAL: PBT



⑥ 2. COVER HSG : P/N:936111

NOTE
 ⑥ 1. MATERIAL: PA66
 2. CORRUGATOR DIAMETER : Ø7.0



NOTE
 △ CODING IS AS FOLLOWS: SEE TABLE I
 2. 0.15 MAX. WARPAGE AND 0.2 MAX. FLASH ARE PERMISSIBLE
 3. SURFACE DEFECTS ARE NOT ACCEPTABLE AS FOLLOWS: SINK, WELD LINES, HIRCRACKS, STAINS & SCORES
 4. APPLIED RECEPTABLE CONTACT P/N:

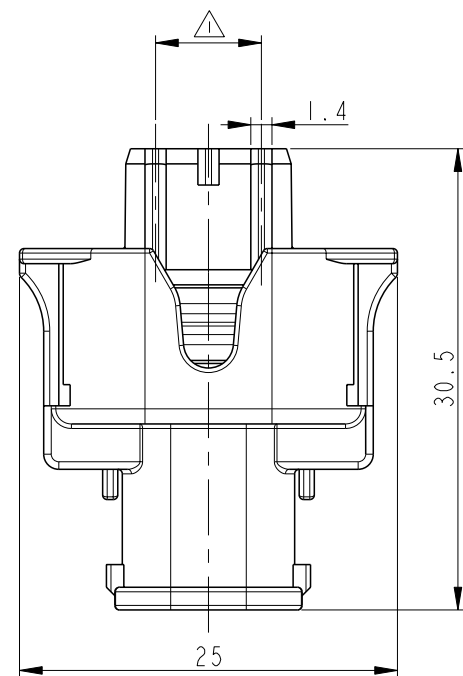
DESCRIPTION	2.8mm SENSOR-FLAT RECEPTACLE	
PART NO.	967542	967543
WIRE SIZE (mm)	②H2X①0.5 ~ 1.0	1.25 ~ 2.5

5. APPLIE WIRE SEAL P/N:

DESCRIPTION	SINGLE WIRE SEAL (5mm HOLE)	
PART NO.	828904	④H4 828905
INSULATION DIA. (Ø)	1.2 ~ 2.1mm	2.2 ~ 3.0mm

[TABLE I] (SCALE 1:1)

① CODE I : 0-936059-1	③ CODE II : 1-936059-1
① CODE I : 0-936059-2	③ CODE II : 1-936059-3
② CODE I : 0-936059-3	④ CODE II : 1-936059-3
⑥ CODE III : 2-936059-1	CODE IV : T.B.D.



Q'TY	P/N	DESCRIPTION	MATERIAL	COLOR/FINISH	NO.
① I I I I	936800-3	INNER SEAL	SILICONE	SIGNAL GRAY	2
③ I I I I	936800-2	INNER SEAL	SILICONE	ULTRAMARINE BLUE	2
④ I I I I	936800-1	INNER SEAL	SILICONE	RED ORANGE	2
⑥ I	3-936102-1	PLUG HSG	PA66 GF15	BLACK	1
⑥ I	2-936102-1	PLUG HSG	PA66 GF15	BLACK	1
⑥ I	1-936102-3	PLUG HSG	PA66 GF15	DARK GRAY	1
⑥ I	1-936102-1	PLUG HSG	PA66 GF15	BLACK	1
⑥ I	936102-3	PLUG HSG	PA66 GF15	GRAY	1
⑥ I	936102-1	PLUG HSG	PA66 GF15	BLACK	1

ASS'Y P/N 3-936059-1 ⑥ 2-936059-1 ⑥ 1-936059-3 ⑥ 1-936059-1 ④ 936059-3 ⑥ 936059-2 ⑥ 936059-1	THIS DRAWING IS A CONTROLLED DOCUMENT.		DWN JM JEON	TE Connectivity 2.8mm SELAED 2P PLUG ASSEMBLY (FLAT SENSOR CONNECTOR)
	DIMENSIONS: mm		CHK JW JUNG	
	TOLERANCES UNLESS OTHERWISE SPECIFIED:		APVD HG CHO	
	0 PLC ± 1 PLC ± 2 PLC ±0.3 3 PLC ± 4 PLC ± ANGLES ±3 FINISH -		PRODUCT SPEC -	
MATERIAL SEE TABLE		APPLICATION SPEC 114-18144	NAME	SIZE A2
		WEIGHT -	CAGE CODE 00779	DRAWING NO C-936059
		CUSTOMER DRAWING	SCALE 2:1	SHEET 1 OF 1
				REV H4