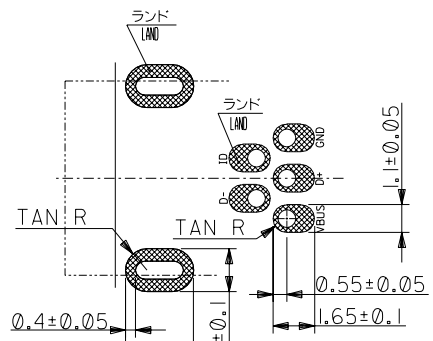
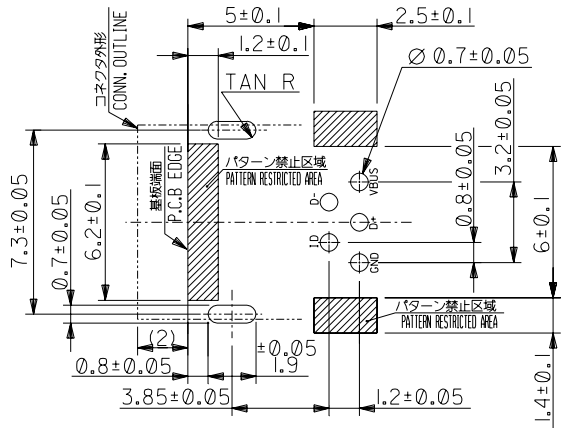
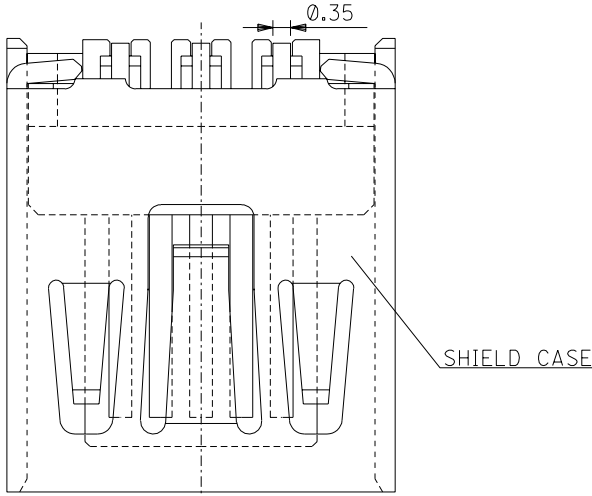
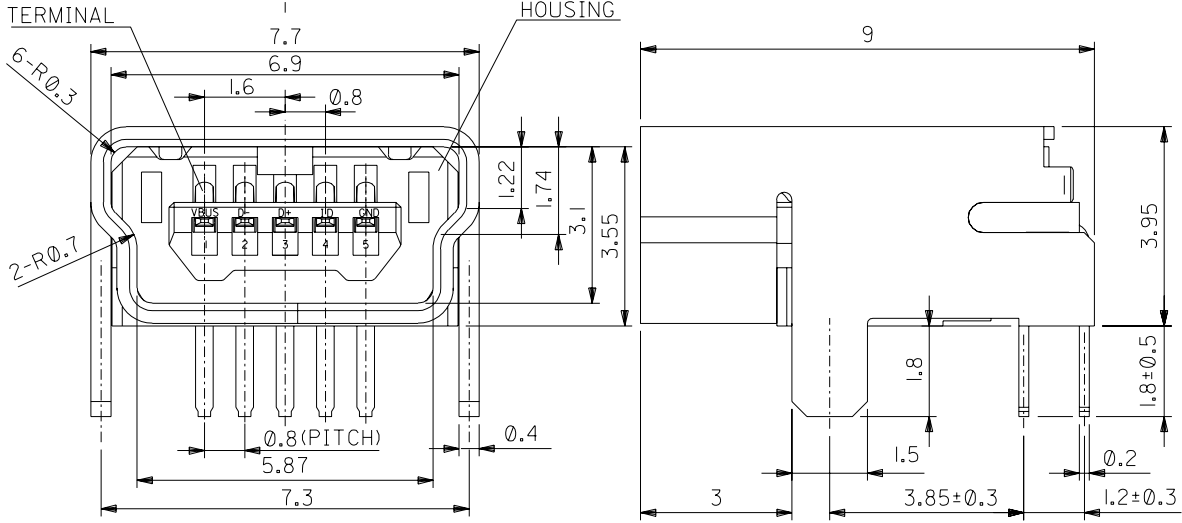


コネクタ実装側 (CONNECTOR MOUNT SIDE) 逆側 (REVERSE SIDE)



推奨基板寸法 RECOMMENDED P.C.B. PATTERN LAYOUT

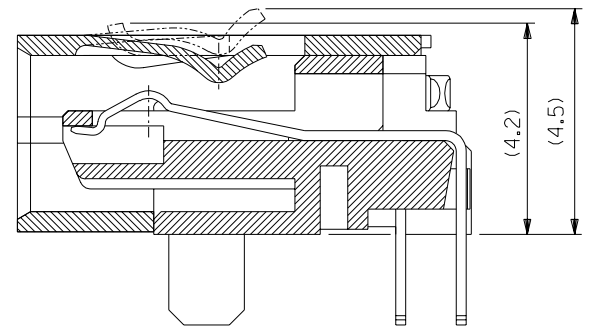


- 注記 NOTES
1. 材質 MATERIAL
 ハウジング:耐熱樹脂、ガラス充填、黒色、UL94V-0
 HOUSING:HEAT RESISTANT PLASTIC, GLASS FILLED, BLACK, UL94V-0
 ターミナル:銅合金 (t=0.2)
 TERMINAL: COPPER ALLOY (t=0.2)
 シールド ケース:銅合金 (t=0.4)
 SHIELD CASE: COPPER ALLOY (t=0.4)
 2. メッキ仕様 PLATING
 ターミナル TERMINAL
 接点部:金メッキ CONTACT AREA: GOLD
 半田付け部:錫メッキ SOLDER TAIL AREA: TIN
 下地部:ニッケルメッキ UNDER PLATING: NICKEL
 シールド ケース SHIELD CASE
 :錫メッキ : TIN
 下地部:ニッケルメッキ UNDER PLATING: NICKEL
 3. 本製品は 54819-0512 の鉛フリー品である。
 THIS PRODUCT IS LEAD FREE OF 54819-0512.

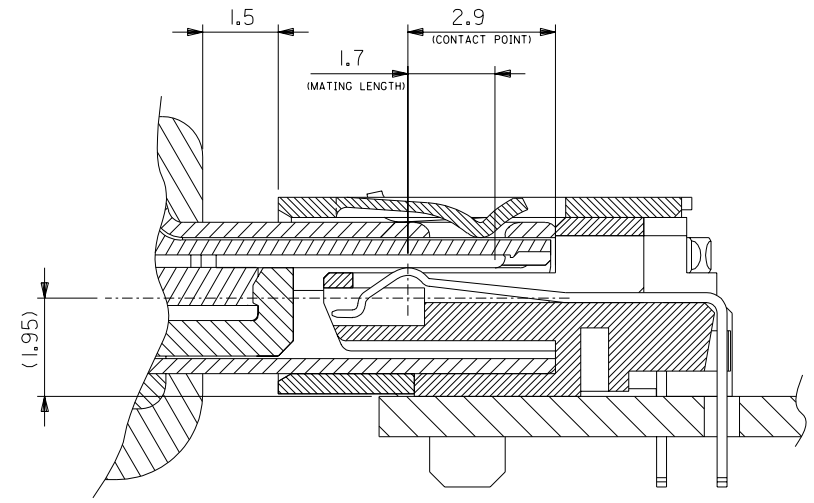
DO NOT SCALE DRAWING

④84 NO. DRWN: CH'K: APPR: ④83 NO. DRWN: CH'K: APPR: ④82 NO. DRWN: CH'K: APPR: ④81 NO. DRWN: CH'K: APPR:	④80 NO. 04/06/08 RELEASED ④80 NO. J2004-4620 DRWN: T.JUENO CH'K: MSASAO APPR: MSASAO	MATERIAL 材料 SEE NOTES FINISH 仕上げ SEE NOTES WIRE RANGE 適用線径範囲 # INS. RANGE 被覆外径 #	GENERAL TOLERANCES: (UNLESS SPECIFIED) 一般公差 10 UNDER 未満 ±0.2 10 OVER 以上 30 UNDER 未満 ±0.25 30 OVER 以上 ±0.3 ANGLE 角度 *3°	SCALE 10 - 1 DESIGN UNITS <input checked="" type="checkbox"/> mm <input type="checkbox"/> INCH DRAWN BY & DATE T.JUENO '04/06/08 CHECKED BY & DATE M.SASAO '04/06/08 APPROVED BY & DATE M.SASAO '04/06/08 CAD FILENAME SD-54819-029.S01	④80 ④81 ④82 ④83 ④84 DIMENSIONS: <input type="checkbox"/> mm <input type="checkbox"/> INCH <input checked="" type="checkbox"/> mm ONLY SHT 1 REV 2 REVERSE ON CAD ONLY TITLE: USB SERIES MINI-B RECEPTACLE ASS'Y -LEAD FREE- MOLEX MOLEX INCORPORATED MATERIAL NO. SEE CHART DRAWING NO. SD-54819-029 SHEET NO. 1 OF 2 SIZE B
--	---	---	--	--	---

DWG. NO. SD-54819-029



SECTION



MATING

DO NOT SCALE DRAWING

664 NO. DRWN: CH'K: APPR:	663 NO. DRWN: CH'K: APPR:	662 NO. DRWN: CH'K: APPR:	661 NO. DRWN: CH'K: APPR:	660 NO. DRWN: CH'K: APPR:	SEE SHEET 1 OF 2 DESCRIPTION	MATERIAL 材料	GENERAL TOLERANCES: (UNLESS SPECIFIED) 一般公差	SCALE 10 - 11	DESIGN UNITS <input checked="" type="checkbox"/> mm <input type="checkbox"/> INCH	DIMENSIONS: <input type="checkbox"/> mm <input type="checkbox"/> INCH <input checked="" type="checkbox"/> mm ONLY	SHT	REV
						SEE NOTES	10 UNDER 未滿	±0.2	DRAWN BY & DATE T.UENO 04/06/08		TITLE: USB SERIES MINI-B RECEPTACLE ASS'Y -LEAD FREE-	2
FINISH 仕上り	10 OVER 30 UNDER 以上 未滿	±0.25	CHECKED BY & DATE M.SASAO 04/06/08	APPROVED BY & DATE M.SASAO 04/06/08	MATERIAL NO. SEE CHART 1 OF 2	DRAWING NO. SD-54819-029	SHEET NO. 2					
WIRE RANGE 適用電線範囲	30 OVER 以上	±0.3	CAD FILENAME SD-54819-029.S02					THIS DRAWING CONTAINS INFORMATION THAT IS PROPRIETARY TO MOLEX INCORPORATED AND SHOULD NOT BE USED WITHOUT WRITTEN PERMISSION.	SIZE B			
INS. RANGE 被覆外径			ANGLE 角度	±3°			EN-02J(097) MXJ-54					