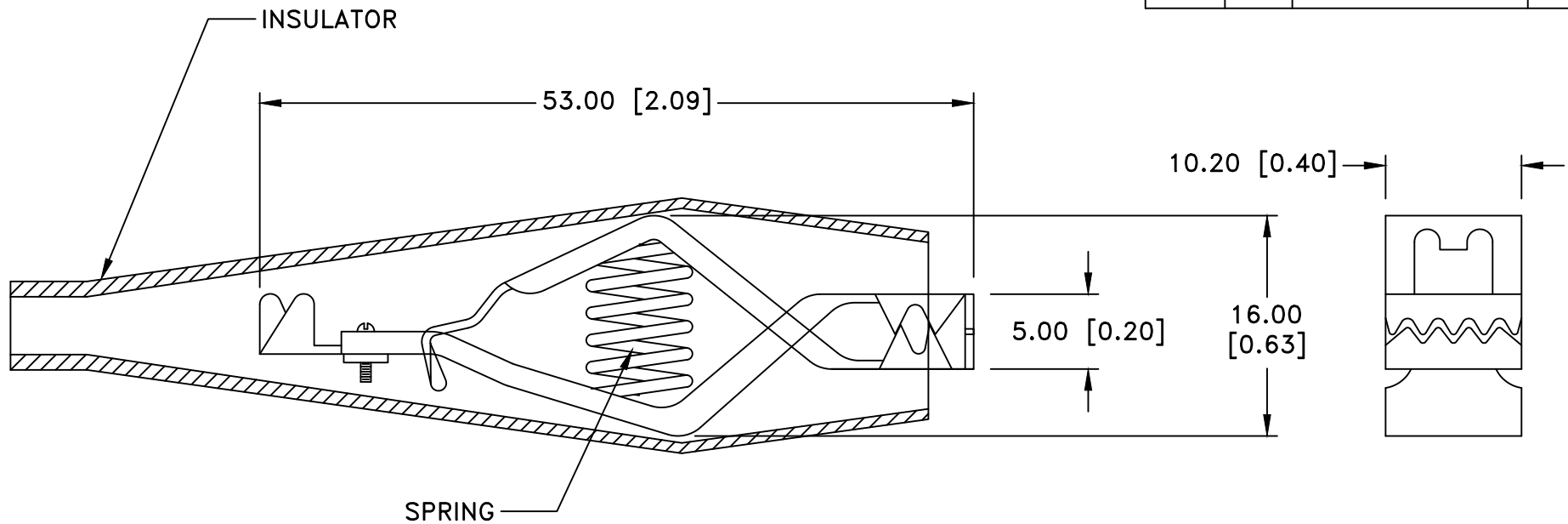



Date	SYM	REVISION RECORD	AUTH	DR.	CK.
08/14/18	A	Dim. 5.00 was 5.59 Dim. 16.00 was 16.45 Dim. 10.20 was 10.16 Dim. 53.00 was 53.34 Added Screw	T.B.	B.S.	



NOTES:

MATERIAL:

- INSULATOR: PVC, RED
- CLIP: STEEL, NICKEL PLATED
- SPRING: STEEL, ZINC PLATED
- SCREW: STEEL, NICKEL PLATED

Tolerance (Except as noted)	 Memory Protection Devices, Inc 200 Broad Hollow Road, Farmingdale, New York 11735		
decimal		Scale	Drawn By B.S.
±.5 (.020)			Approved By T.B.
Fractional	Title		
± .8 (.030)	INSULATED BATTERY CLIP		
Angular	Date	Drawing Number	
± 3°	08/14/18	ZB3020-A	