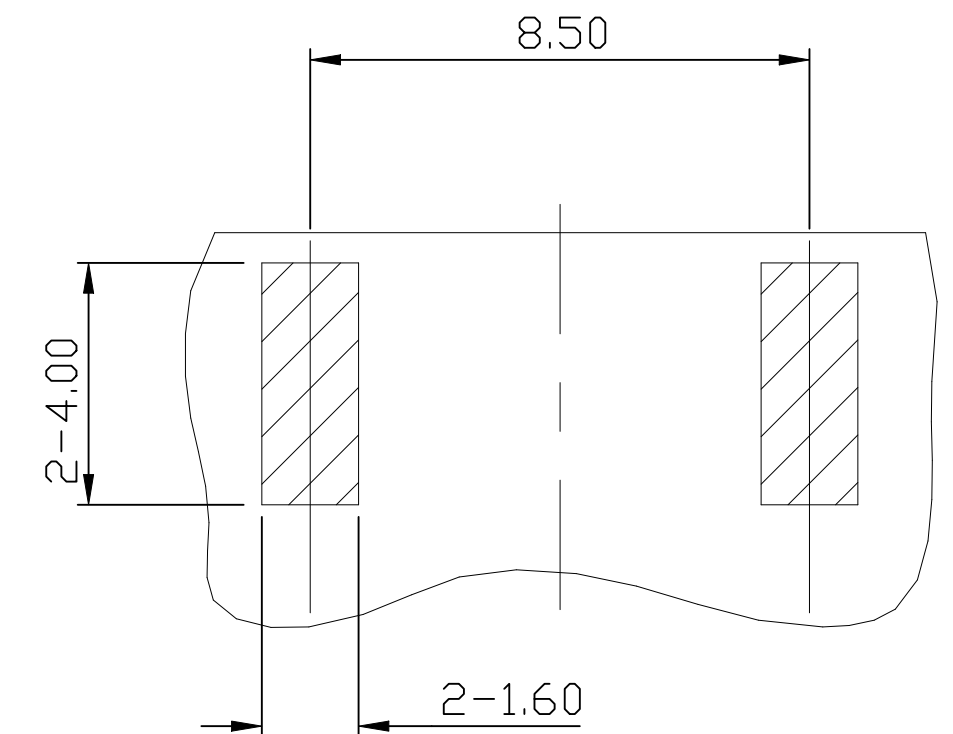
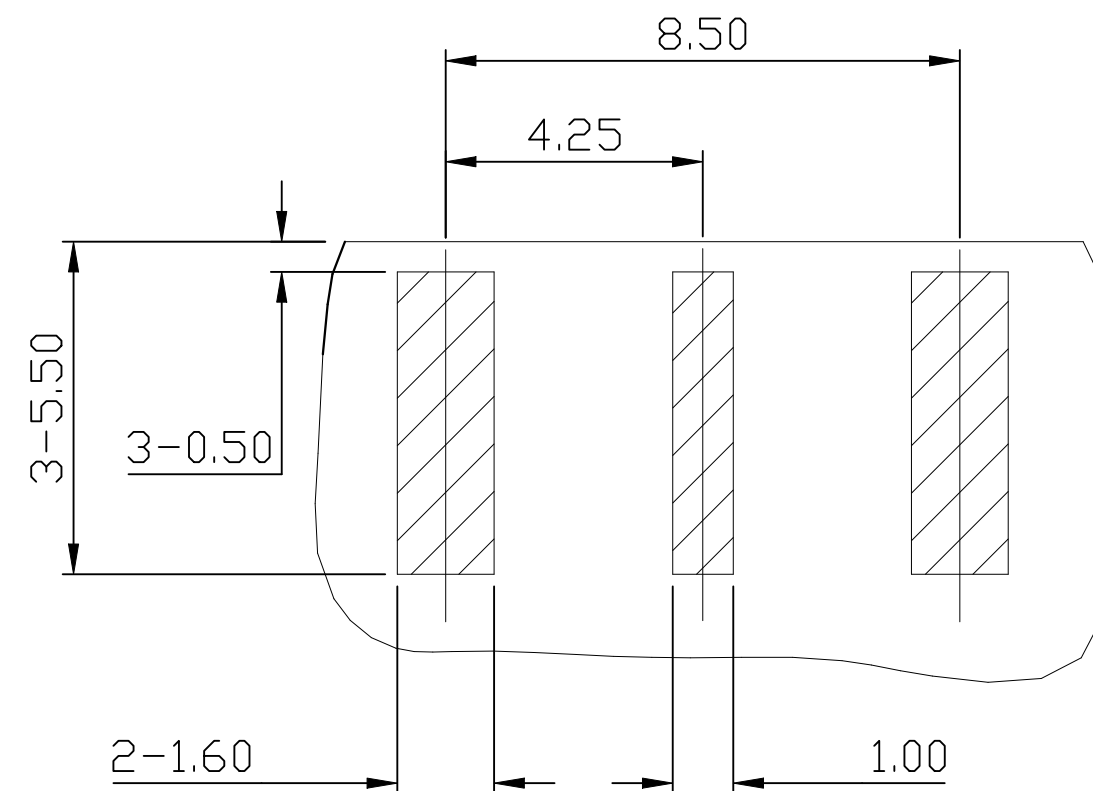
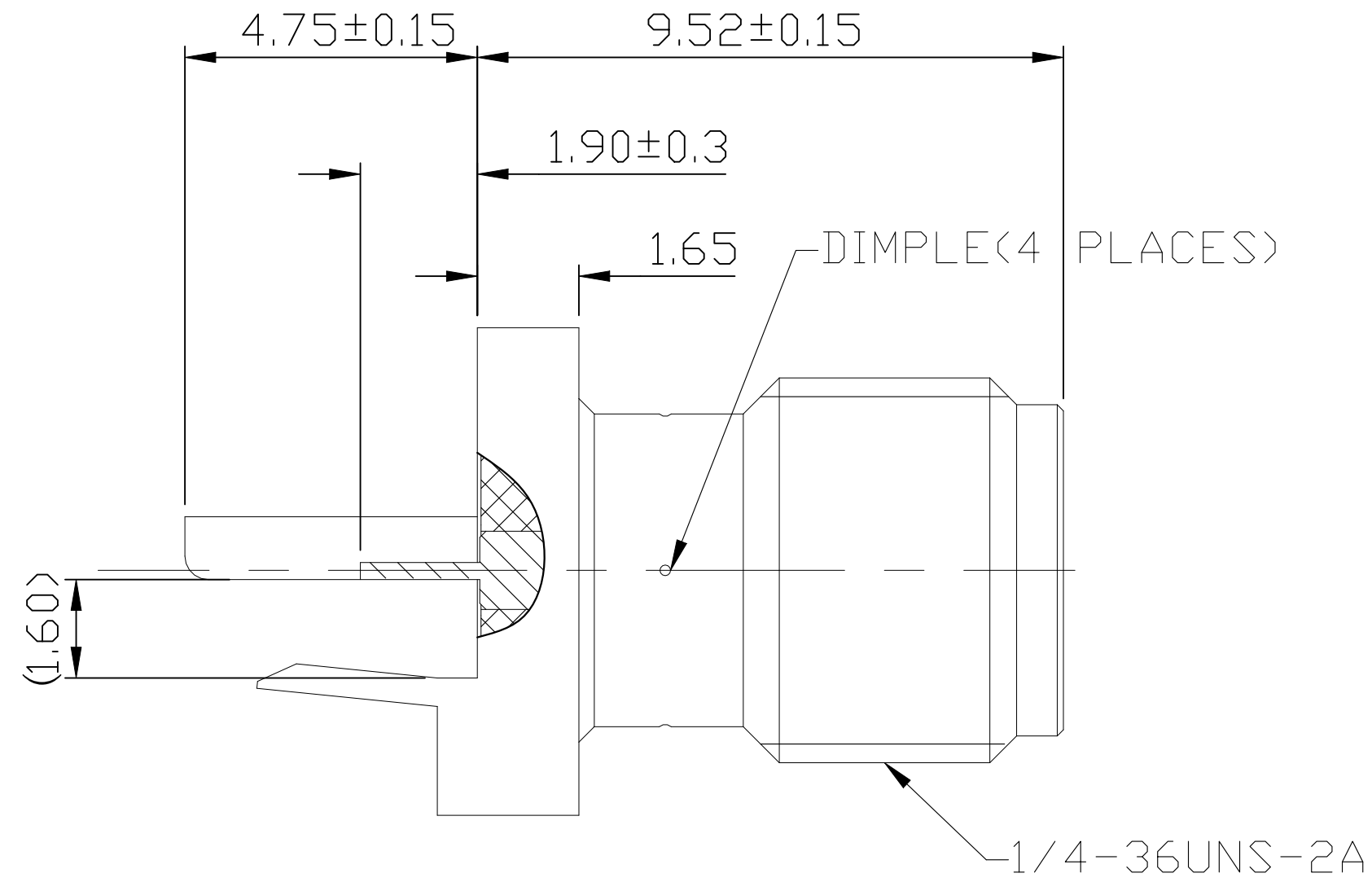
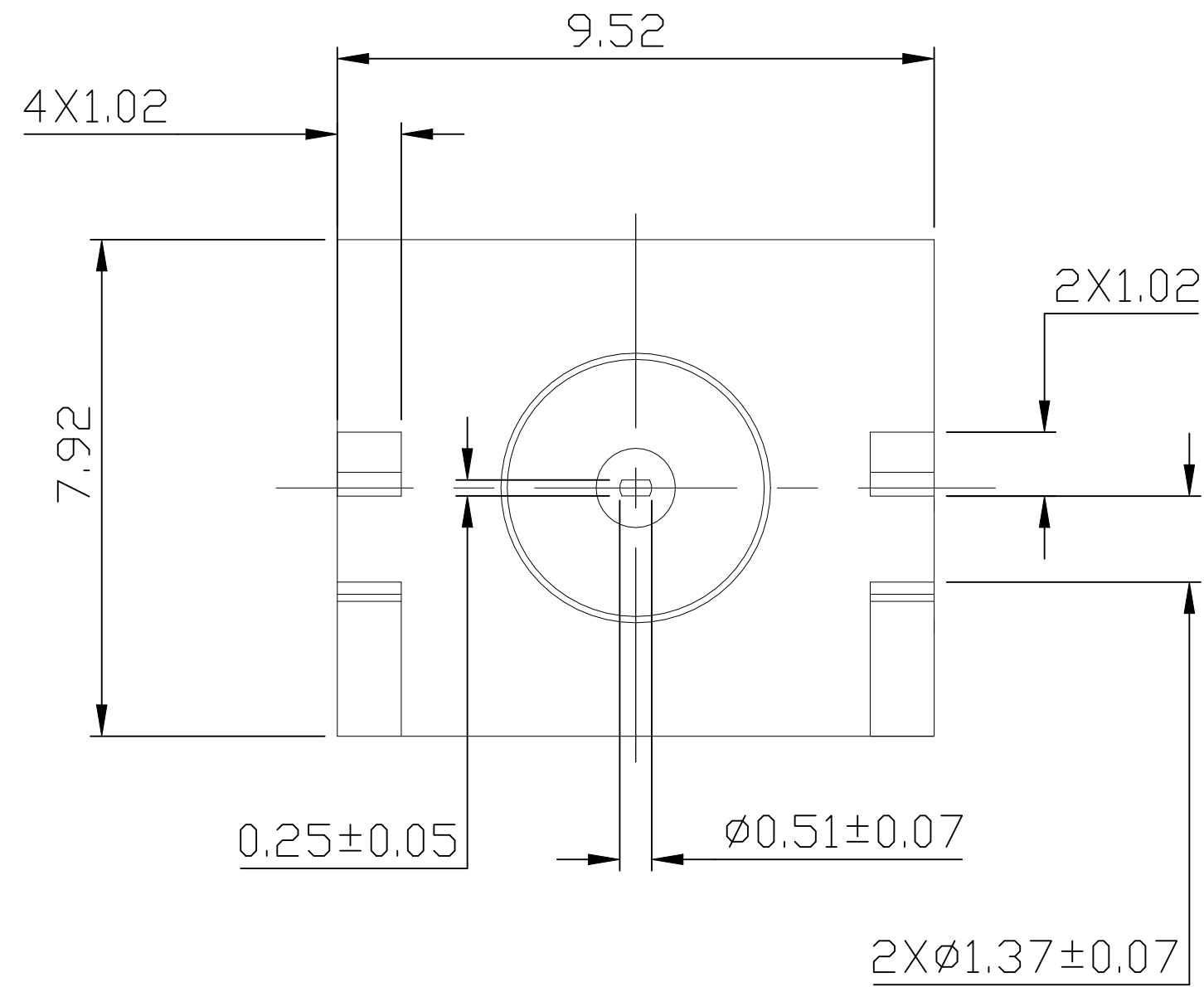


REVISIONS					
P	LTR	DESCRIPTION	DATE	DWN	APVD
A		REVISED PER ECN-21-101691	26MAR2021	ED	WH



NOTES:

- PACK IN ACCORDANCE WITH TE SPEC 107-3275
- ALL DIMENSIONS ARE NOMINAL FOR REFERENCE ONLY UNLESS OTHERWISE STATED
- GOLD PLATING 0.254µm MIN OVER NIKEL PLATING 1.27µm MIN OVER COPPER PLATING 1.27µm MIN
- GOLD PLATING 1.27µm MIN OVER NIKEL PLATING 1.27µm MIN OVER COPPER PLATING 1.27µm MIN

TOP VIEW

BOTTOM VIEW

RECOMMENDED PCB LAYOUT

ELECTRICAL	MECHANICAL	ENVIRONMENTAL
Impedance (Ohm) _____50	Interface Dimension MIL-STD-348B Fig. _____310-2	TEMPERATURE RANGE _____ -65°C TO + 165°C
Frequency Range (GHz) _____DC to 27GHz	Recommended Coupling Torque _____7 to 10 In-Lbs	THERMAL SHOCK _____MIL-STD-202, METH.107, COND.B
Voltage Rating (Peak) _____@ Sea Level 335 V RMS	Force to Engage and Disengage (In/lbs) _____2.0 MAX	CORROSION _____MIL-STD-202, METH.101, COND.B
Insulation Resistance (MIN.) _____5000 M ohms	Center Contact Captivation Axial (Lbs) _____6.0 Radial (In/Oz) _____N/A	VIBRATION _____MIL-STD-202, METH.204, COND.D
Contact Resistance (Milliohms MAX) Center Contact _____3.0 Outer Contact _____2.0	Cable Retention Axial (Lbs) _____N/A	SHOCK _____MIL-STD-202, METH.213, COND.I
Dielectric Withstand Voltage: _____750 V RMS Max	Mating cycles _____500 cycles	MOISTURE RESISTANCE _____MIL-STD-202, METH.106.
Insertion Loss : _____0.1*SQRT(F) dB		ROHS _____COMPLIANT
VSWR: _____1.3 MAX(DC-27GHz)		
RF leakage: _____N/A		
3rd Intermodulation: _____N/A		

QUANTITY	PER ASSY	PARTS LIST
1	3	BRASS OUTER CONTACT
1	2	PTFE INSULATION
1	1	BeCu CENTER CONTACT
2081880-1		PLATING MATERIAL DESCRIPTION ITEM

THIS DRAWING IS A CONTROLLED DOCUMENT.		DWN ED	28DEC2020	TE Connectivity	
DIMENSIONS: mm		CHK RZ	28DEC2020		
TOLERANCES UNLESS OTHERWISE SPECIFIED:		APVD WH	28DEC2020	NAME	
0 PLC ± -	1 PLC ± -	PRODUCT SPEC		EP-SMA,JACK,27GHz,	
2 PLC ± 0.2	3 PLC ± 0.1	APPLICATION SPEC		FIXTURING MOUNT END LAUNCH,	
4 PLC ± -	ANGLES ± -	WEIGHT		1.50mm BOARD THICKNESS	
MATERIAL SEE TABLE	FINISH -	2.1g		SIZE A2	CAGE CODE 00779
CUSTOMER DRAWING		SCALE 10:1		DRAWING NO C=2081880	RESTRICTED TO -
		SHEET 1 of 1		REV A	