

FEATURES

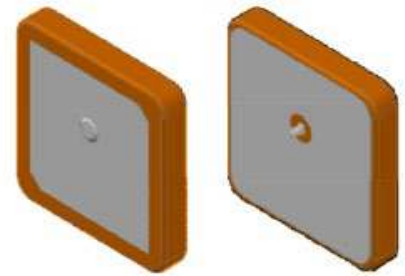
- High Gain, Compact
- Pin Type
- RoHS Compliant

APPLICATION

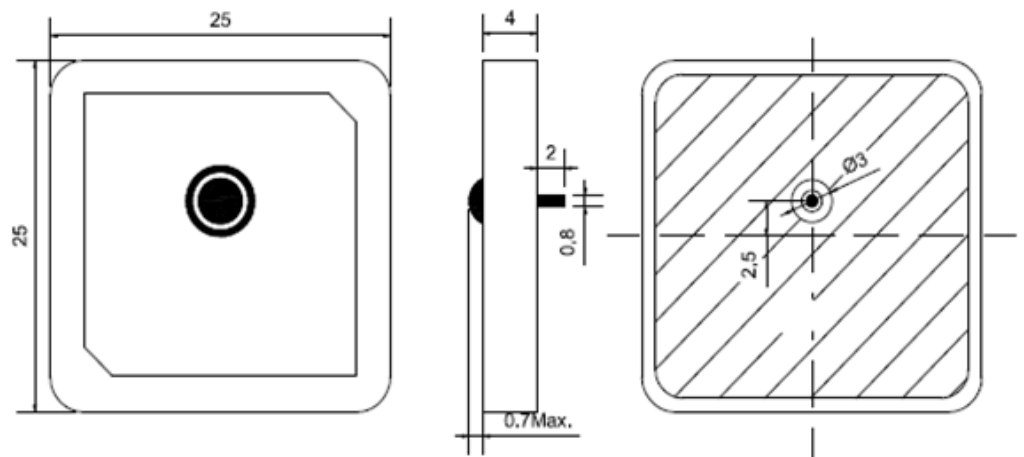
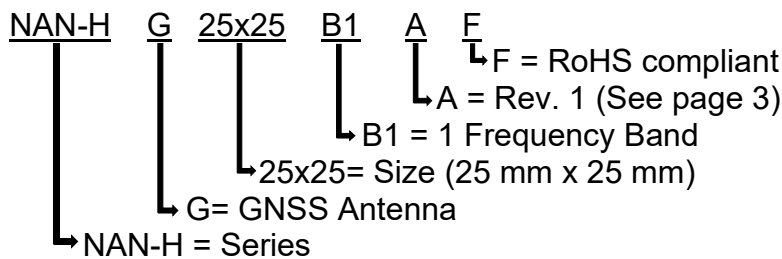
- Tracking
- Fleet Management

SPECIFICATIONS

Electrical	
Center Frequency	1596 ± 3 MHz
Bandwidth @ 10db RL	≥ 12 dB
Polarization	RHCP
Gain	2.0 dBi (Zenith)
Return Loss	≥ 15 dB
Impedance	50Ω
Axial Ratio	≤ 5.0
Dimensions (mm):	
Length	25 ± 0.30
Width	25 ± 0.30
Height	4 ± 0.30
Ground Plane	27 x 27 mm



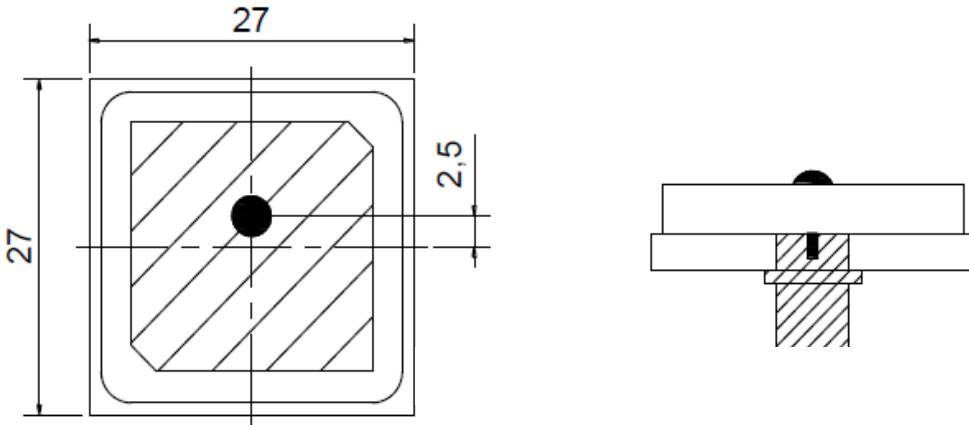
RoHS Compliant
includes all homogeneous materials
(see part numbering system for details)



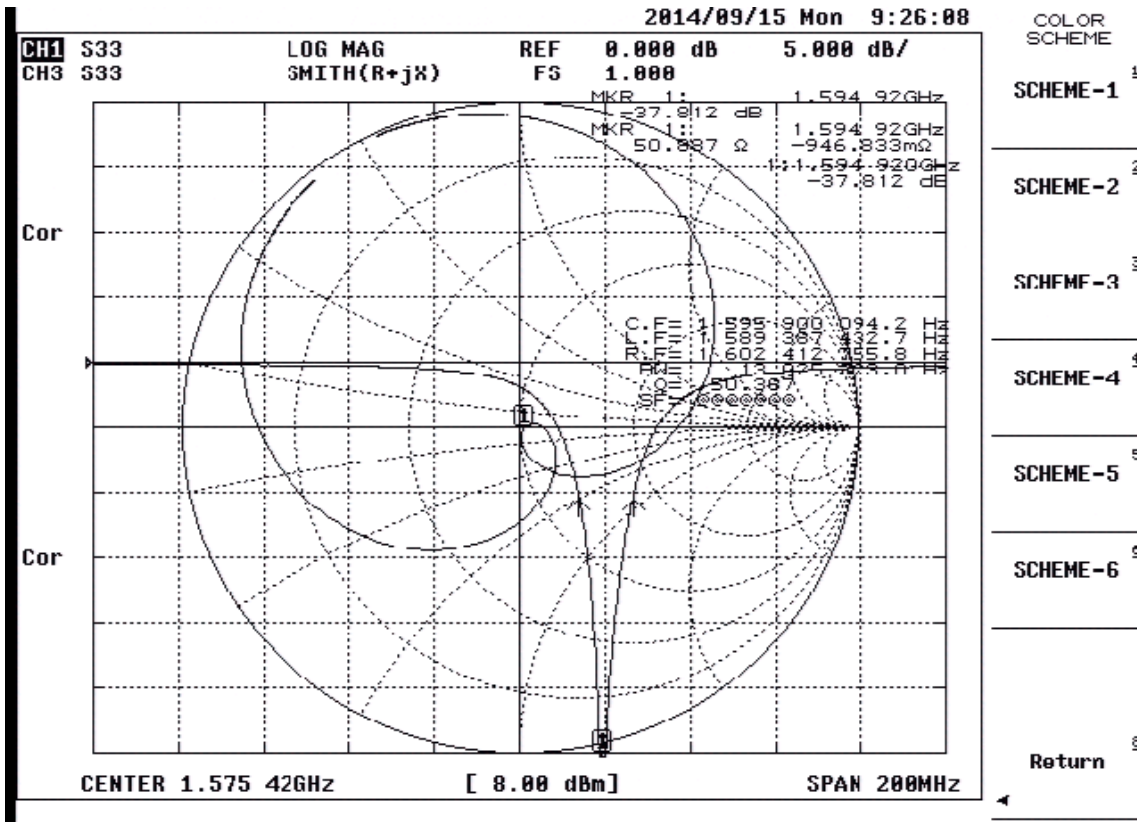
Tolerance Unless Otherwise Specified: ±0.30
Unit: mm

Environmental	
Operating Temperature	-40°C~+85°C
Frequency Temperature Coefficient	±20 ppm/°C
RoHS Compliant	Yes

TEST FIXTURE



ANTENNA PATTERN



Revision History and Status

Revision	Date Issued	Details	Status
A	Dec 4 th , 2020	Initial Release	Supported

- NIC Technical Support: tpmg@niccomp.com
- Compliance Support: rohs@niccomp.com