



ANATECH ELECTRONICS INC
RF & Microwave Filters & Products

2512.5 MHz Cavity Bandpass Filter

Part Number: AB2512B1270



Electrical specifications

Frequency range: 2475 ~ 2550 MHz

Center frequency: 2512.5 MHz

Insertion loss: ≤ 1.0 dB

VSWR: ≤ 1.3 dB

Rejection 1: 100 dB@2400 MHz

Rejection 2: 100 dB@2625 MHz

Power: 50 Watts

Mechanical

Mounting Method: Threaded Mounting Holes

Connector Type: N-Type Female/ N-Type Male

Dimensions: 3.82" x 2.01" x 1.22" in

Surface finish: Black

Environmental

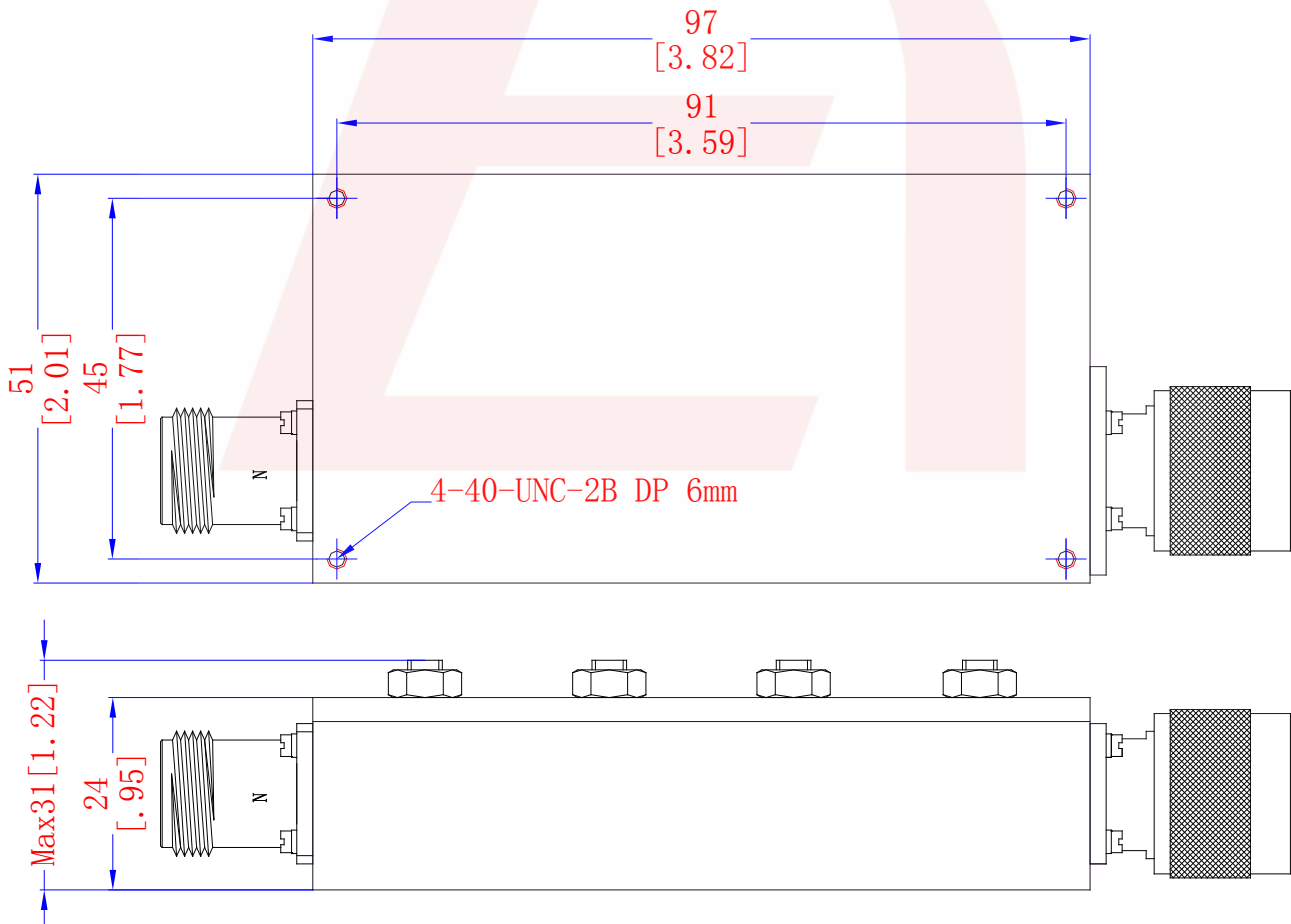
Operating Temperature: -45 to +85° C

Storage Temperature: -55 to +95° C

Shock: 20 G. 11ms

Vibration: 20 G. 5 to 200 Hz

Outline Drawing:



DS-B1270-03152018-Rev0