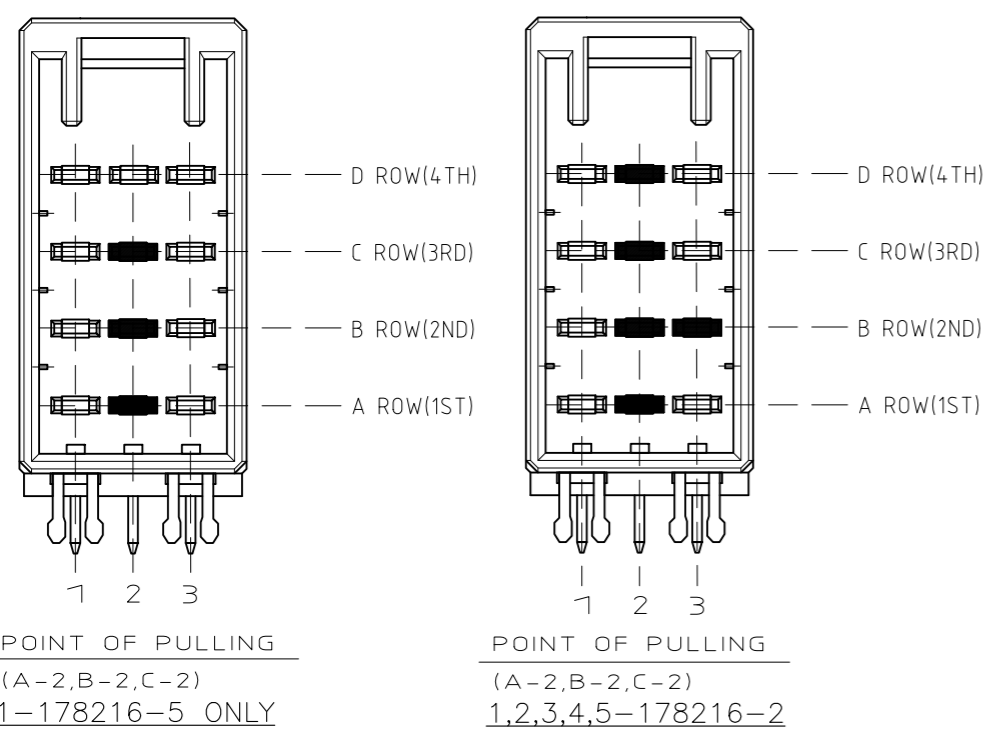
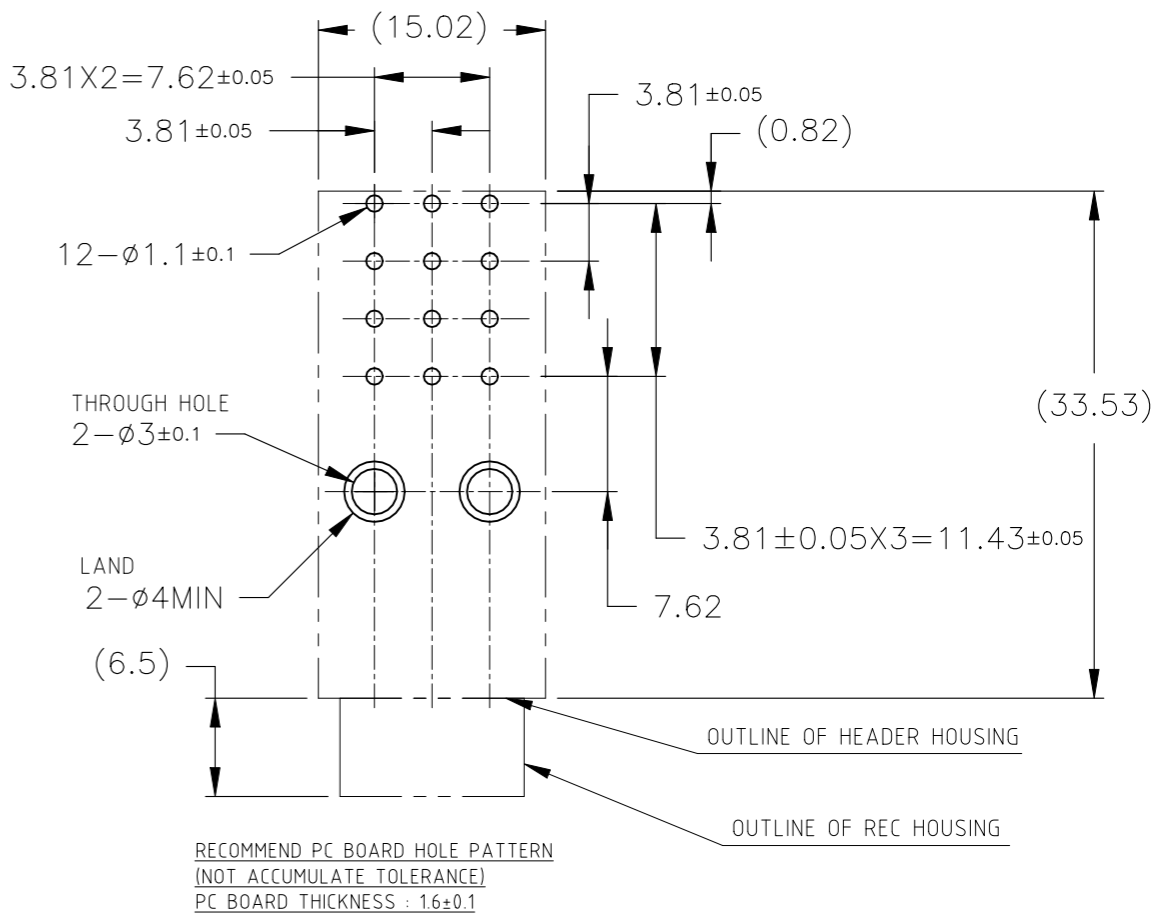
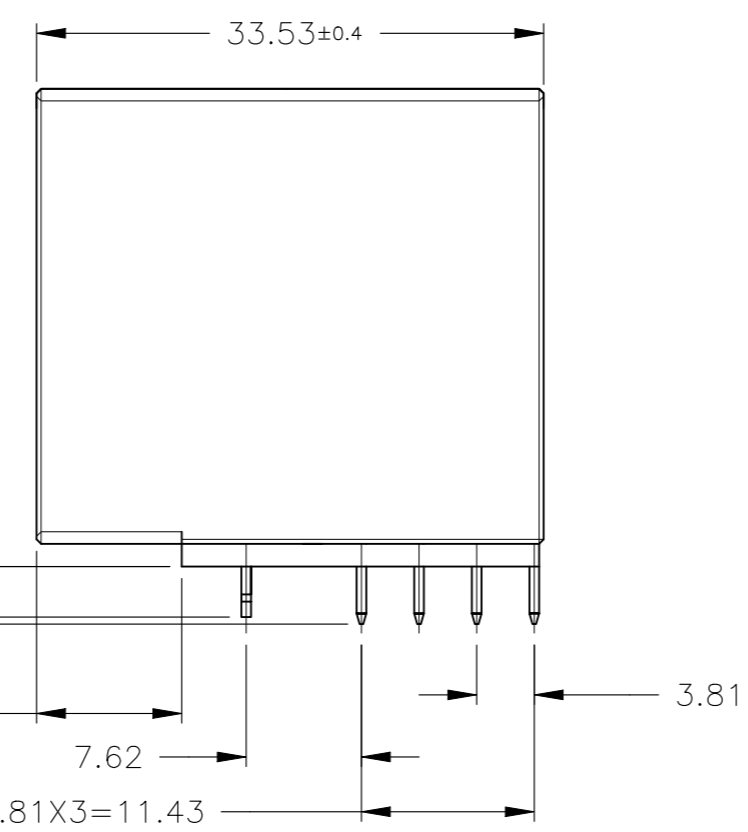
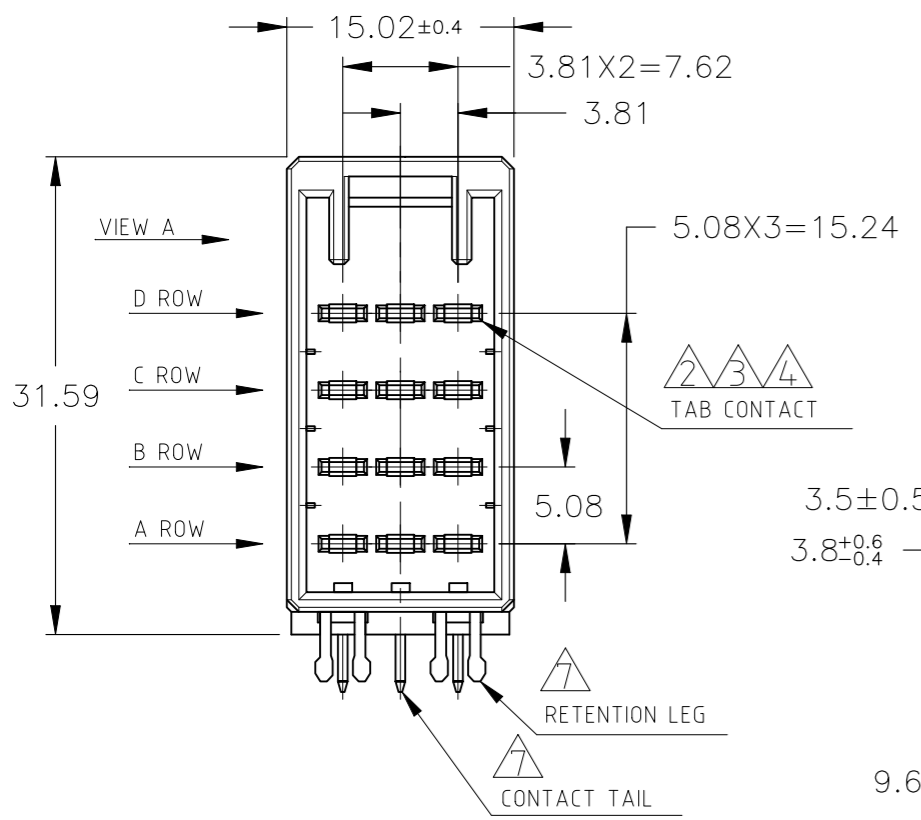
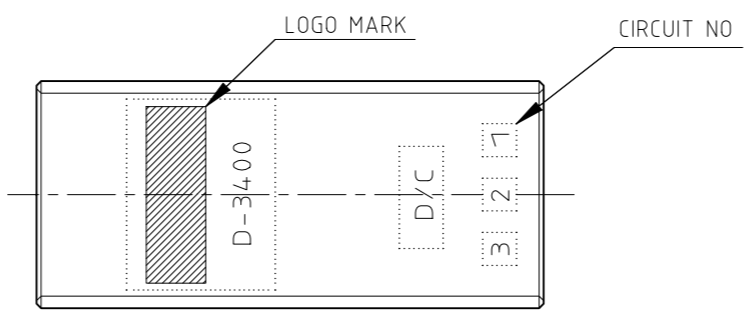
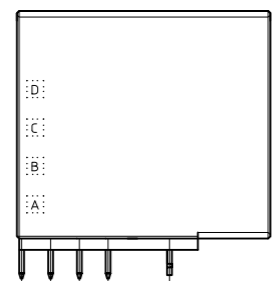


REVISIONS					
P	LTR	DESCRIPTION	DATE	DWN	APVD
	F	REVISED	02JUN2022	H.O	T.S



NOTES:  
 ▲ MATERIAL  
 HOUSING: GLASS FIELD POLYESTER  
 CONTACT: COPPER ALLOY  
 RETENTION LEG: COPPER ARROY  
 ▲ FINISH(CONTACT AREA): 0.38µMIN GOLD PLATING OVER NICKEL  
 ▲ FINISH(CONTACT AREA): 0.76µMIN GOLD PLATING OVER NICKEL  
 ▲ FINISH(CONTACT ALL AREA): 2.0µMIN TIN PLATING OVER NICKEL  
 ▲ FINISH(RETENTION LEG AND CONTACT TAIL): TIN-LEAD PLATING-6 PRODUCT SPEC.108-5349  
 ▲ FINISH(RETENTION LEG AND CONTACT TAIL): TIN PLATING OVER NICKEL

▲ ▲	-	9-178216-2	TRAY
▲ ▲	-	178216-5	TUBE
▲ ▲	-	178216-3	TUBE
▲ ▲	-	178216-2	TUBE
▲ ▲	A-2,B-2,C-2	1-178216-5	TUBE
▲ ▲	A-2	1-178216-2	TUBE
▲ ▲	B-2	2-178216-2	TUBE
▲ ▲	C-2	3-178216-2	TUBE
▲ ▲	D-2	4-178216-2	TUBE
▲ ▲	B-3	5-178216-2	TUBE
FINISH	POINT OF PULLING	PART NO	PACKING TYPE

THIS DRAWING IS A CONTROLLED DOCUMENT.

DIMENSIONS: mm	TOLERANCES UNLESS OTHERWISE SPECIFIED: 0-PLC ± - 1-PLC ± LESS 10 ; ±0.3 2-PLC ± -10< , <=30 ; ±0.4 3-PLC ± -30< , <=100 ; ±0.45 4-PLC ± - ANGLES ± 3°	DWN H.OSABE 02JUN2022 CHK T.SHIMOYASU 02JUN2022 APVD T.SHIMOYASU 02JUN2022 PRODUCT SPEC APPLICATION SPEC	TE Connectivity	
MATERIAL SEE NOTE	FINISH SEE NOTE	SEE NOTE WEIGHT 13.42g CUSTOMER DRAWING	NAME DYNAMIC D-3400 12P(H) HDR ASSY SIZE A3 CAGE CODE 00779 DRAWING NO C-178216 RESTRICTED TO -	
		SCALE 2:1	SHEET 1 OF 1	REV F