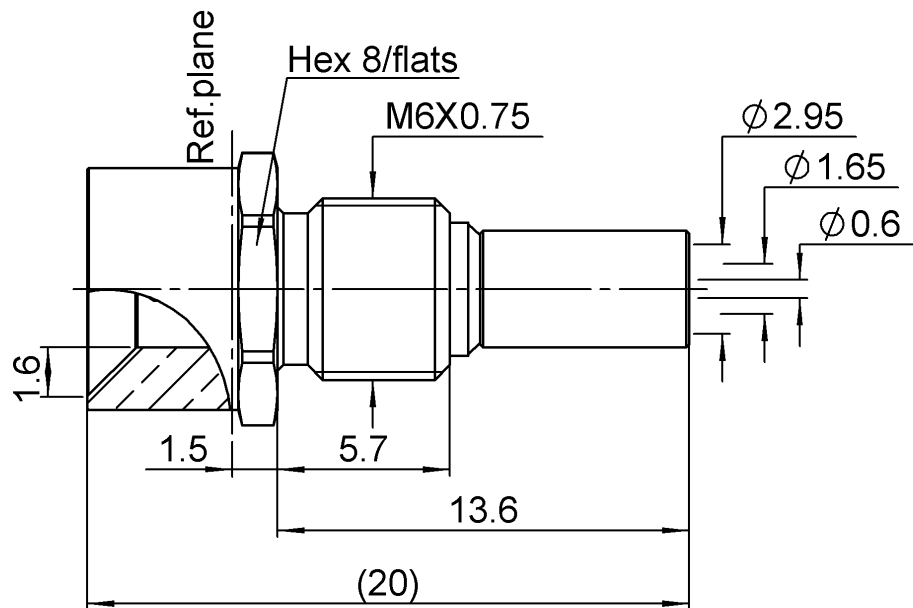
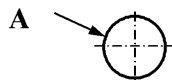


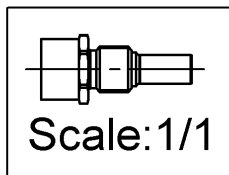
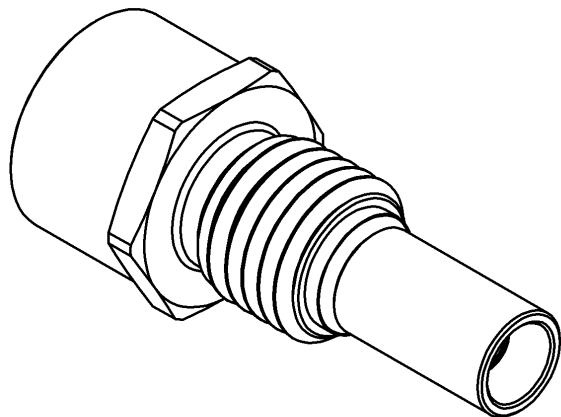
PAGE 1/2	ISSUE 19-03-15A	SERIES SMP-MAX	PART NUMBER <b>R222M20710</b>
----------	-----------------	----------------	-------------------------------



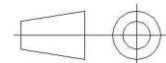
**PANEL CUT OUT**



	mm	
	Maxi	mini
A	M6×0.75	



All dimensions are in mm.



COMPONENTS	MATERIALS	PLATING (µm)
Body	<b>BRASS</b>	<b>BBR</b>
Center contact	<b>BRASS</b>	<b>NPGR</b>
Outer contact		
Insulator	<b>PTFE</b>	
Gasket		
Others parts	<b>BRASS</b>	<b>BBR</b>
-	-	-
-	-	-

PAGE 2/2	ISSUE 19-03-15A	SERIES SMP-MAX	PART NUMBER R222M20710
----------	-----------------	----------------	------------------------

### PACKAGING

Standard	Unit	Other
100	Contact us	Contact us

### ELECTRICAL CHARACTERISTICS

Impedance	50	Ω
Frequency	0-6	GHz
VSWR	1.25* + 0.0000	x F(GHz) Maxi
Insertion loss	0.15*	√F(GHz) dB Maxi
RF leakage	-( NA	- F(GHz)) dB Maxi
Voltage rating	335	Veff Maxi
Dielectric withstanding voltage	750	Veff mini
Insulation resistance	5000	MΩ mini

### MECHANICAL CHARACTERISTICS

Center contact retention		
Axial force – Mating End	NA	N mini
Axial force – Opposite end	NA	N mini
Torque	NA	N.cm mini
Recommended torque		
Mating	NA	N.cm
Panel nut	100	N.cm
Clamp nut	NA	N.cm
A/F clamp nut	0.0000	mm
Mating life	100	Cycles mini
Weight	3.1700	g

### ENVIRONMENTAL

Operating temperature	-55/+165	°C
Hermetic seal	NA	Atm.cm3/s
Panel leakage	NA	

### SPECIFICATION

### CABLE ASSEMBLY

Stripping	a	b	c	d	e	f
mm	2	5	8.5	0	6.5	0

Assembly instruction: **Crimp 01**

Recommended cable(s)

**RG 174**  
**RG 316**  
**KX 22A**  
**ECO 316**

Characteristics indicated on this data sheet are those that can be achieved with the highest performance cable. Intrinsic limitations of the cable may diminish the performance of the assembly

Cable retention

- pull off	53	N mini
- torque	NA	N.cm

### TOOLING

Part Number	Description	Hexagon
R282211000	CRIMPING TOOL	3.25
R282235003	CRIMPING DIES M22520/5-03	3.25
R282293000	CRIMPING TOOL M22520/5-01	

### OTHER CHARACTERISTICS

**\*Coaxial Transmission Line Only**  
**\*Slide type connector+Bullet+Snap type receptacle**  
**Radial working angle: 3°min**  
**Axial working range: 2mm**

Because of the BBR plating, the typical values of the outer contact resistance may slightly differ compared to the NPGR plated jacks.