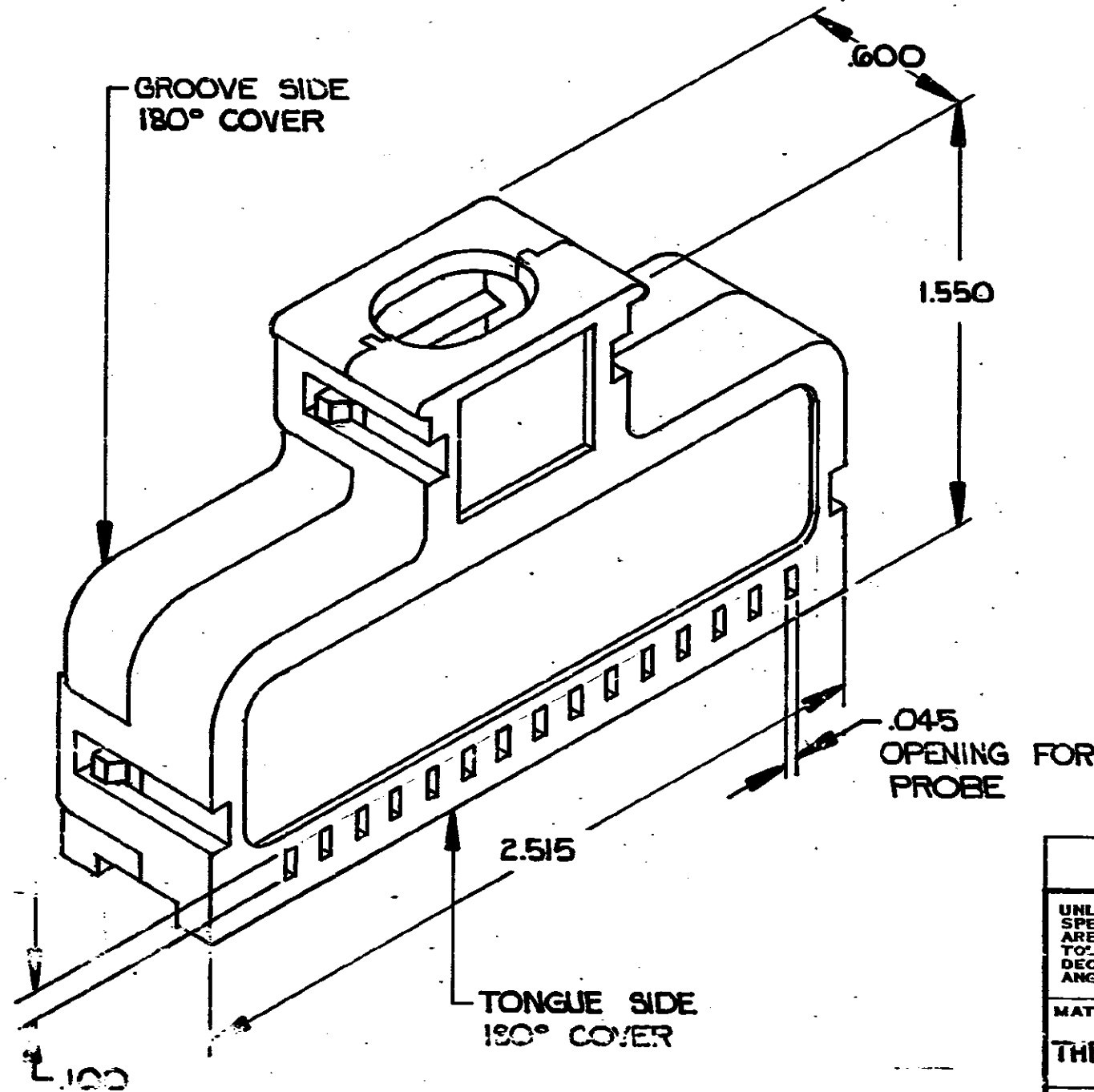


THIS DRAWING IS UNPUBLISHED. RELEASED FOR PUBLICATION, 19

© COPYRIGHT 19 BY AMP INCORPORATED, HARRISBURG, PA. ALL INTERNATIONAL RIGHTS RESERVED. AMP PRODUCTS MAY BE COVERED BY U.S. AND FOREIGN PATENTS AND/OR PATENTS PENDING.

REVISIONS						
P	F	ZONE	LTR	DESCRIPTION	DATE	APPROVED
E	1		E	REV PER ECN AA-4448	1/20/87	STW TC



1. ALL DIMENSIONS SHOWN ARE FOR REFERENCE ONLY UNLESS OTHERWISE SPECIFIED.
2. COVERS SHIPPED NOT ASSEMBLED.
3. 100 KITS BULK PACKED.

	.430-.500	BLACK	1-552006-1	1-552007-1	552003-1
	CABLE RANGE DIAMETER	COLOR	GROOVE SIDE PART NO.	TONGUE SIDE PART NO.	KIT PART NO.
UNLESS OTHERWISE SPECIFIED DIMENSIONS ARE IN INCHES. TOLERANCES ON: DECIMALS ± ANGLES ±	CONTRACT NO		AMP AMP INCORPORATED Harrisburg, Pa.		
	DR <i>Patricia E-11-82</i>				
MATERIAL	CHK <i>Stephen Doll 5-26-83</i>		NAME		
THERMOPLASTIC	APPD <i>5/26/83</i>		COVER KIT, PROBE, 180°		
FINISH	DSGN <i>5/26/83</i>		50 POSITION, CHAMP		
	OTHER APPD		SIZE	FSCM NO	DRAWING NO
			B	00779	552003
			SCALE 2:1		SHEET 1 OF 1