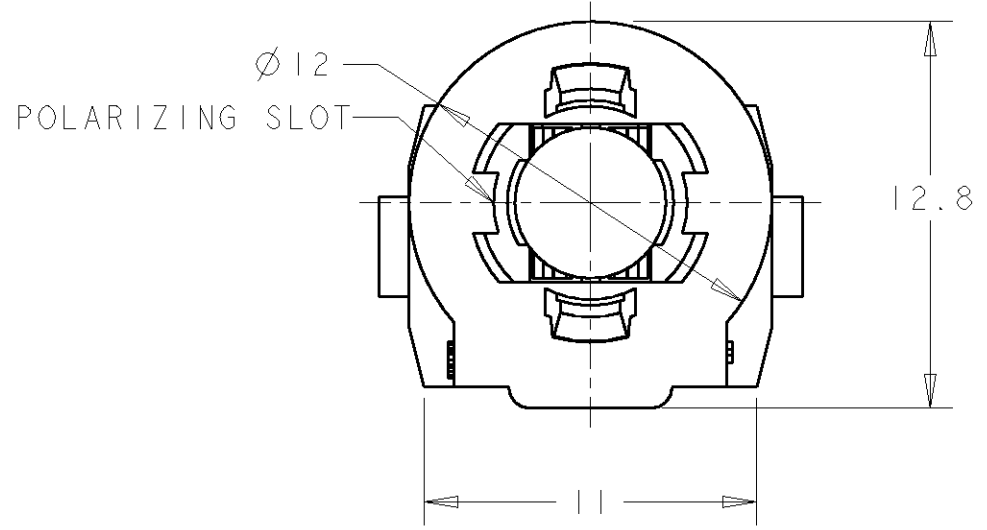
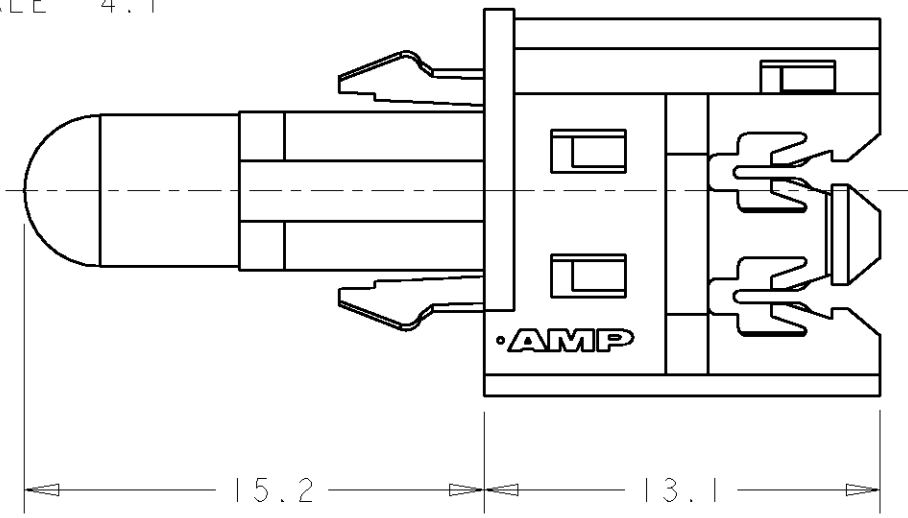


THIS DRAWING IS UNPUBLISHED. RELEASED FOR PUBLICATION 21-FEB-1996  
 © COPYRIGHT 1996 BY TYCO ELECTRONICS CORPORATION. ALL RIGHTS RESERVED.

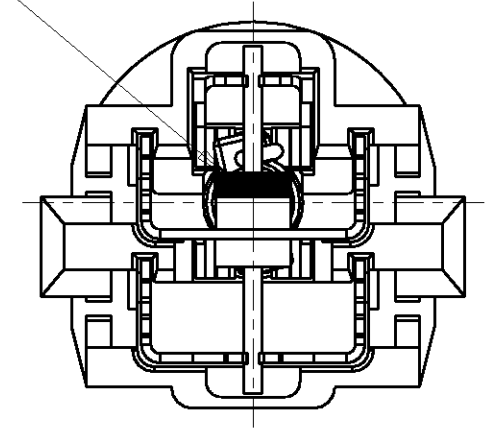
LOC	DIST	REVISIONS			
P	LTR	DESCRIPTION	DATE	DWN	APVD
E	B	D	EB-0061-02	20FEB2002	AJB R.G
		E	EB00-0080-02	01MAR2002	AJB R.G
		F	EB00-0184-03	12MAR2003	PB JA



SCALE 4:1

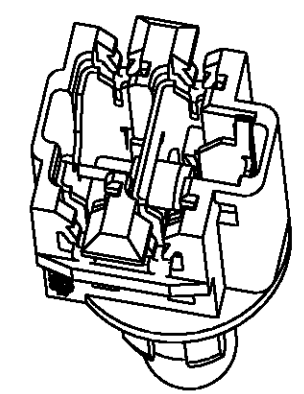
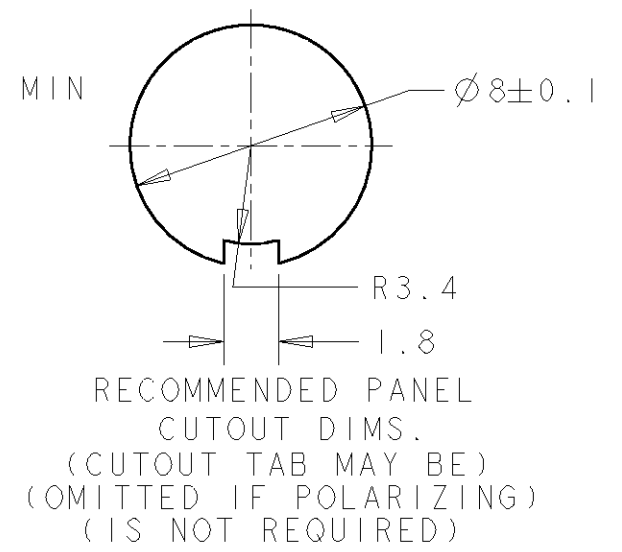
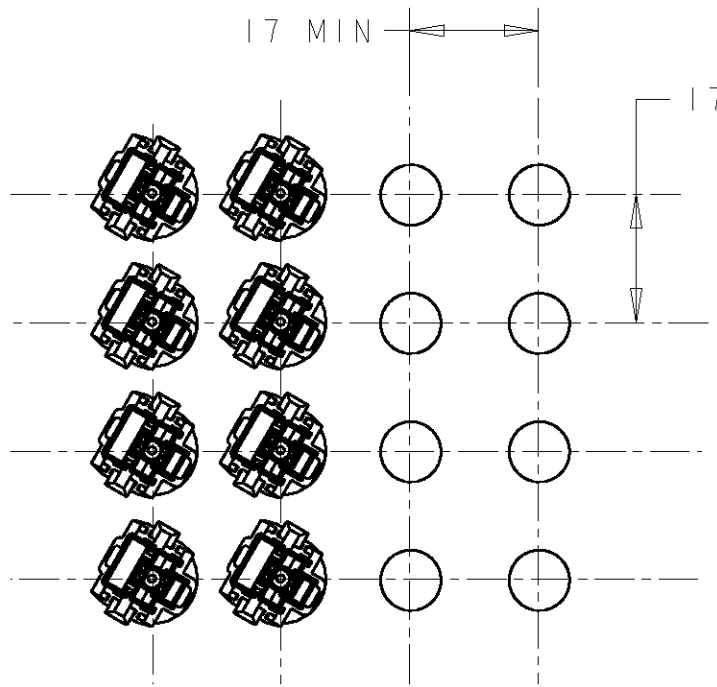


DIODE MARKER BAND THIS END



NOMINAL ONLY  
(DEPENDS ON BULB DIMS.)

- 1 MATERIALS  
HOUSING :- NYLON 66  
CONTACTS :- BRASS
- 2 AMP PRODUCT SPEC No 108-3382.
- 3 AMP APPLICATION SPEC No 114-3185.
- 4 ASSEMBLIES FITTED WITH BULBS NOT SUITABLE FOR USE WITH MULTIPLEXED POWER SOURCE ONLY STRAIGHT DC DRIVEN SUPPLIES.



SCALE 5:2

DESCRIPTION	PART NUMBER
BULBHOLDER WITH CLEAR BULB	9-349494-1
BULBHOLDER WITH AMBER BULB	349494-6
BULBHOLDER WITH GREEN BULB	349494-5
BULBHOLDER WITH BLUE BULB	349494-4
BULBHOLDER WITH RED BULB	349494-3
BULBHOLDER WITHOUT BULB	349494-2
BULBHOLDER WITH CLEAR BULB	349494-1

RECOMMENDED MAXIMUM PANEL DENSITY FOR MANUAL WIRE INSERTION TOOLS. CONSULT AMP FOR PITCHING DIMENSIONS IF USING POWERED TOOLS.  
 SCALE 1:1  
 PANEL THICKNESS 1.5 TO 2.0

<small>THIS DRAWING IS A CONTROLLED DOCUMENT FOR TYCO ELECTRONICS CORPORATION IT IS SUBJECT TO CHANGE AND THE CONTROLLING ENGINEERING ORGANIZATION SHOULD BE CONTACTED FOR THE LATEST REVISION.</small>		DWN 20FEB2002 <b>A. J. BEKEN</b>		Tyco Electronics UK Ltd, Stanmore, Middlesex, HA7 4RS.	
DIMENSIONS: mm		TOLERANCES UNLESS OTHERWISE SPECIFIED: LINEAR ±0.5 0 PLC ±0.1 1 PLC ±0.1 2 PLC ±0.05 3 PLC ± 4 PLC ± ANGLES ±0.5			
		APVD 20FEB2002 <b>R. GOODALL</b>		NAME <b>5mm IDC BULBHOLDER ASSEMBLY WITH DIODE</b>	
MATERIAL		FINISH -		PRODUCT SPEC 108-3382	
APPLICATION SPEC 114-3185		WEIGHT -		SIZE CAGE CODE DRAWING NO RESTRICTED TO <b>A3 00779 C-349494</b>	
CUSTOMER DRAWING		SCALE 5:1		SHEET 1 OF 1 REV F	