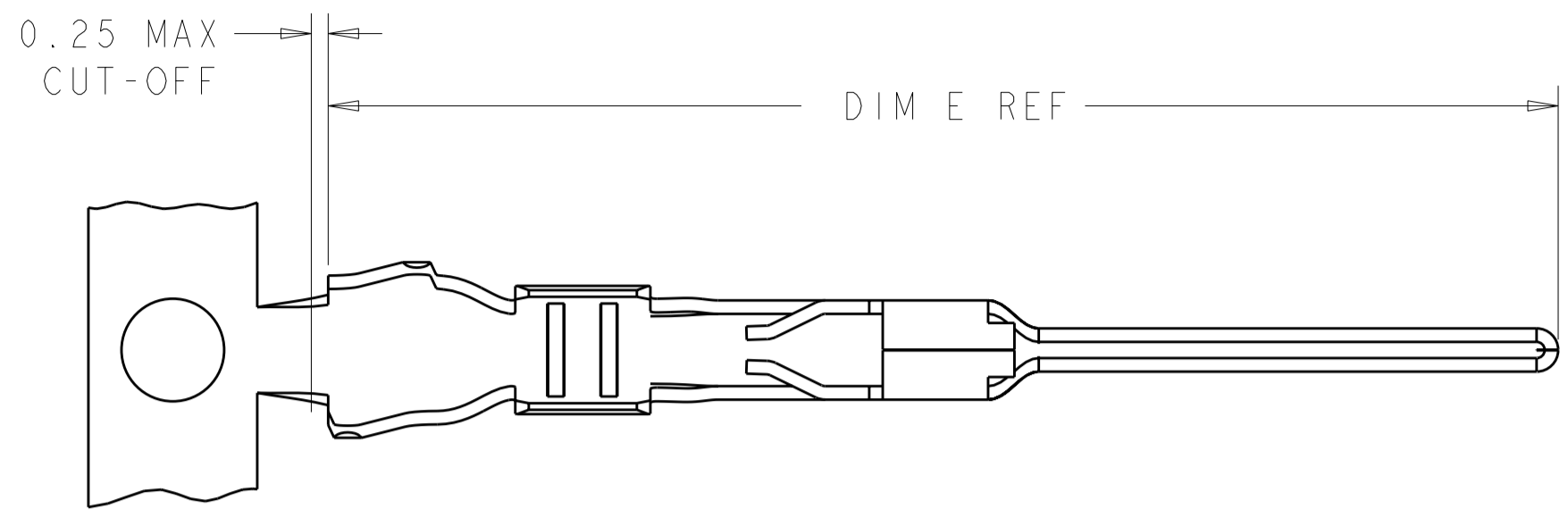
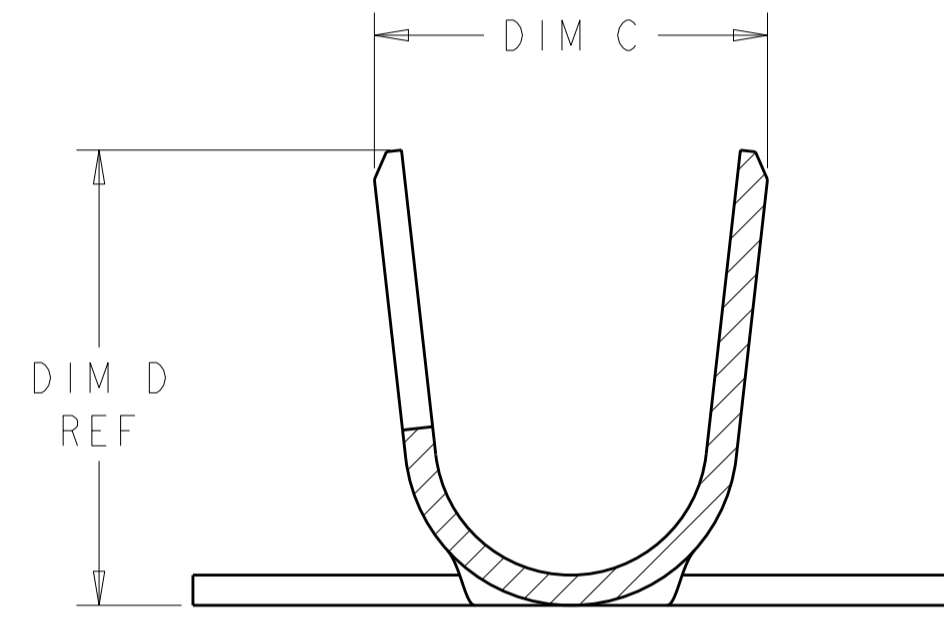
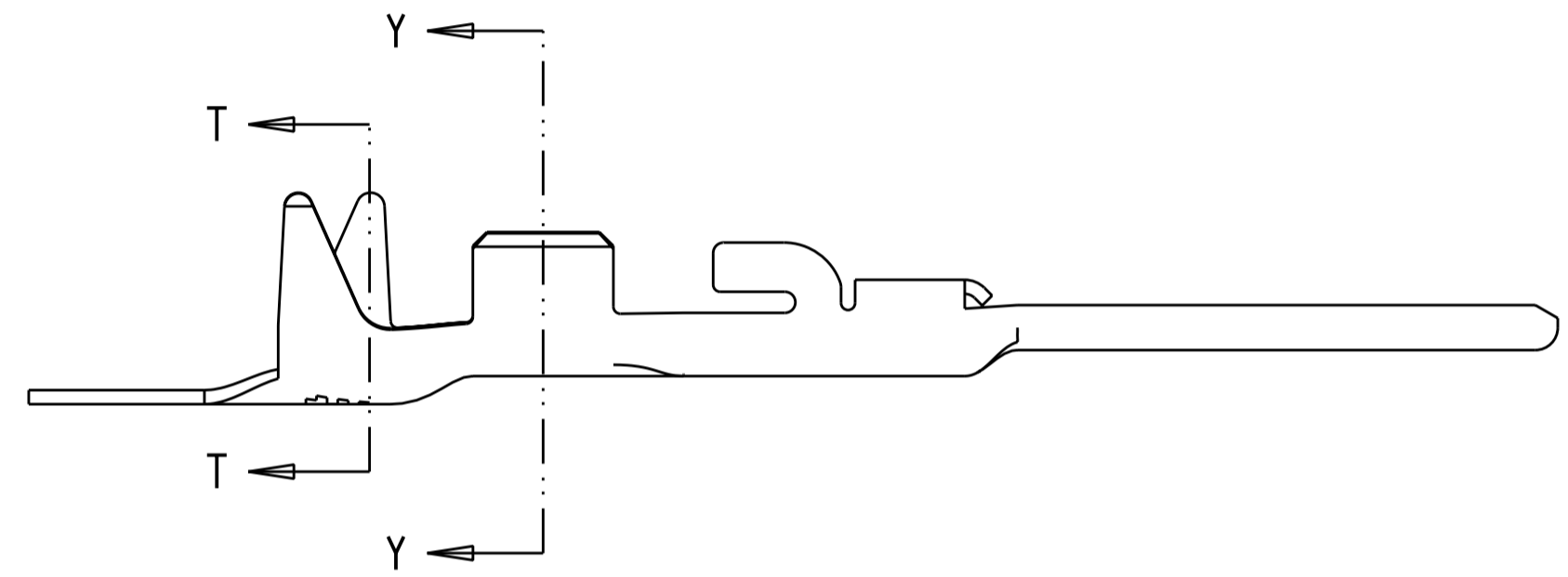


THIS DRAWING IS UNPUBLISHED. RELEASED FOR PUBLICATION 20
 © COPYRIGHT 20 BY - ALL RIGHTS RESERVED.

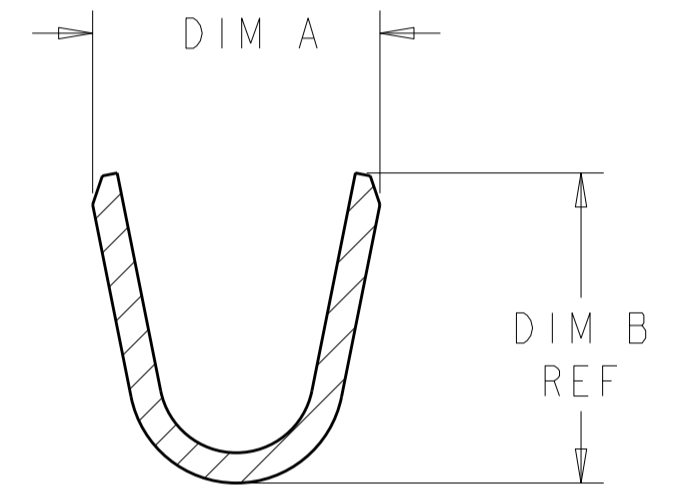
LOC		DIST		REVISIONS			
P	LTR	DESCRIPTION	DATE	DWN	APVD		
A3		REVISED PER ECO-11-004820	11MAR2011	RK	HMR		
A4		REVISED PER ECR-11-014651	20JUL2011	RK	DD		
A5		REVISED PER ECR-11-016987	5SEP2011	RS	DD		



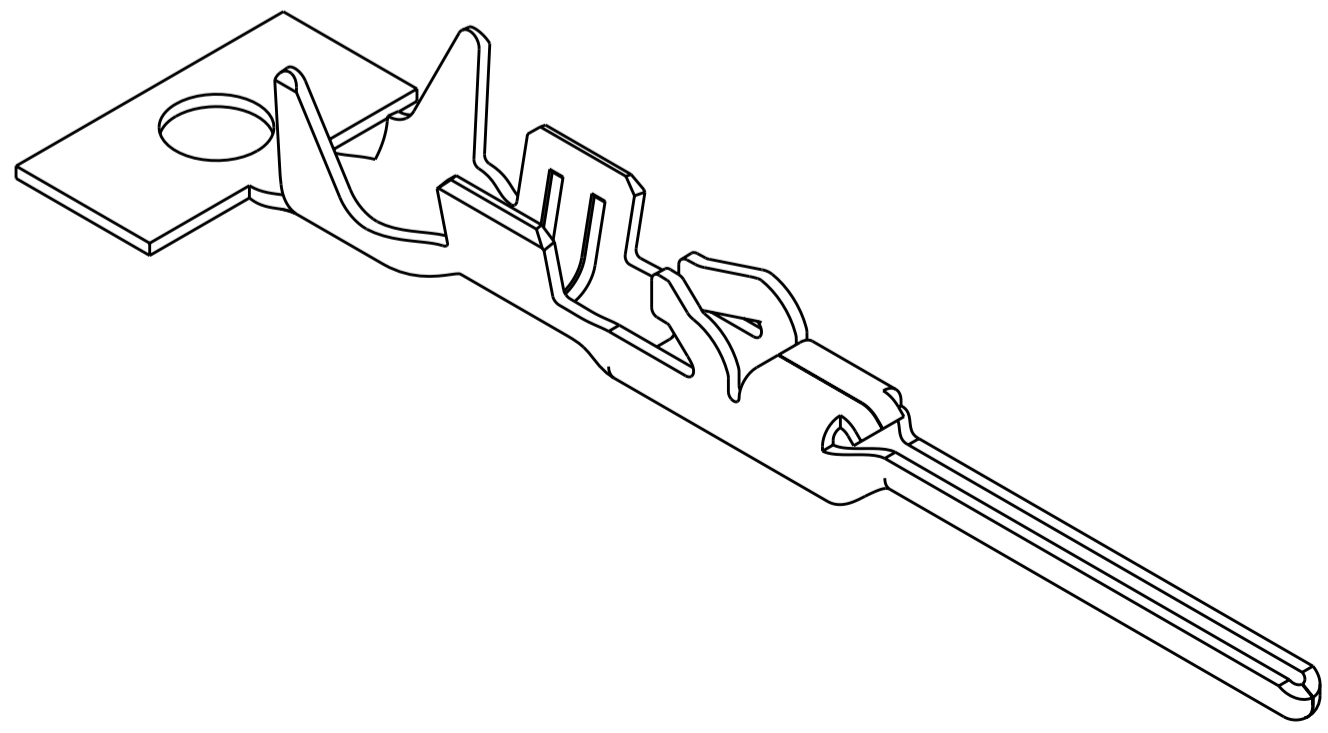
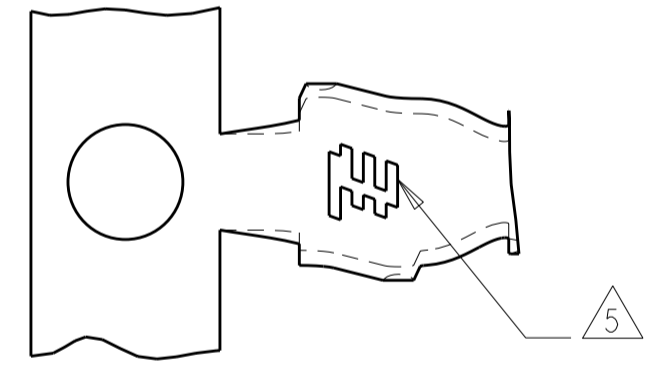
- ① BRASS, 0.20 THK. REF
- ② NICKEL UNDERPLATE OVER ALL
- ③ 0.00254 MIN THK BRIGHT TIN ENTIRE CONTACT OVER NICKEL UNDERPLATE
- ④ 0.00038 THK GOLD STRIPE
- ⑤ TE CONNECTIVITY LOGO LOCATED APPROXIMATELY AS SHOWN
- ⑥ 0.000762 THK GOLD STRIPE



SECTION T-T
SCALE 20:1



SECTION Y-Y
SCALE 20:1



18.24	2.40	2.60 2.20	1.55	1.96 1.57	1.30 - 1.60	22-24 AWG	ON REEL	⑥	3-2106124-3
18.24	2.40	2.60 2.20	1.55	1.96 1.57	1.30 - 1.60	22-24 AWG	LOOSE PIECE	② ③	2-2106124-7
18.24	2.40	2.60 2.20	1.55	1.96 1.57	1.30 - 1.60	22-24 AWG	ON REEL	② ③ ④	2-2106124-3
18.24	2.40	2.60 2.20	1.55	1.96 1.57	1.30 - 1.60	22-24 AWG	ON REEL	② ③	2-2106124-2
18.24	3.01	2.80 2.40	2.05	2.32 1.92	1.70 - 2.10	18-20 AWG	LOOSE PIECE	② ③	2106124-9
18.24	3.01	2.80 2.40	2.05	2.32 1.92	1.70 - 2.10	18-20 AWG	ON REEL	② ③ ④	2106124-3
18.24	3.01	2.80 2.40	2.05	2.32 1.92	1.70 - 2.10	18-20 AWG	ON REEL	② ③	2106124-2
DIM E	DIM D	DIM C	DIM B	DIM A	INSULATION DIA	WIRE RANGE	REMARKS	FINISH	PART NO

THIS DRAWING IS A CONTROLLED DOCUMENT.

DWN: R. BROWN 05MAR2009
 CHK: A. BUCHER 05MAR2009
 APVD: -

STE TE Connectivity

NAME: CONTACT, TAB, CRIMP SNAP-IN SLIM SEAL SSL

PRODUCT SPEC: 108-2391
 APPLICATION SPEC: 114-13261

SIZE: A2 CAGE CODE: 00779 DRAWING NO: 2106124 RESTRICTED TO: -

MATERIAL: SEE NOTES
 DIMENSIONS: mm
 TOLERANCES UNLESS OTHERWISE SPECIFIED:
 0 PLC ±
 1 PLC ±
 2 PLC ±0.13
 3 PLC ±
 4 PLC ±
 ANGLES ±°
 FINISH

WEIGHT: -
 CUSTOMER DRAWING SCALE: 10:1 SHEET 1 OF 1 REV A5