



WEIGHT

.37g/cm (.033 oz/in)

MATERIALS AND FINISH

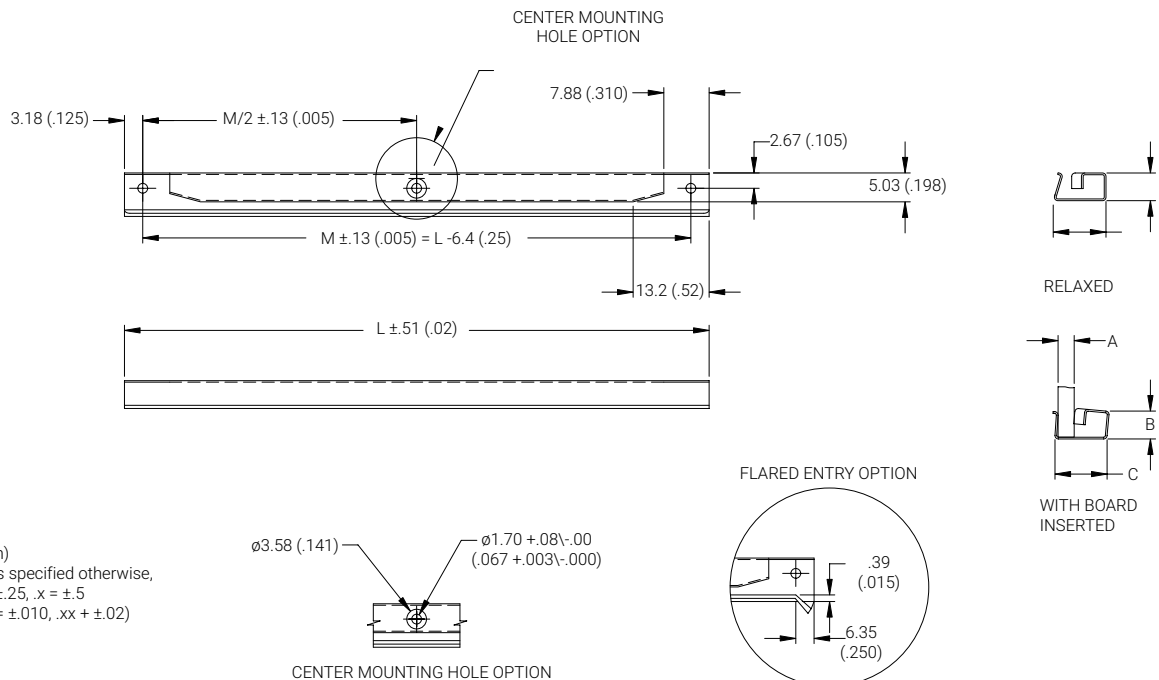
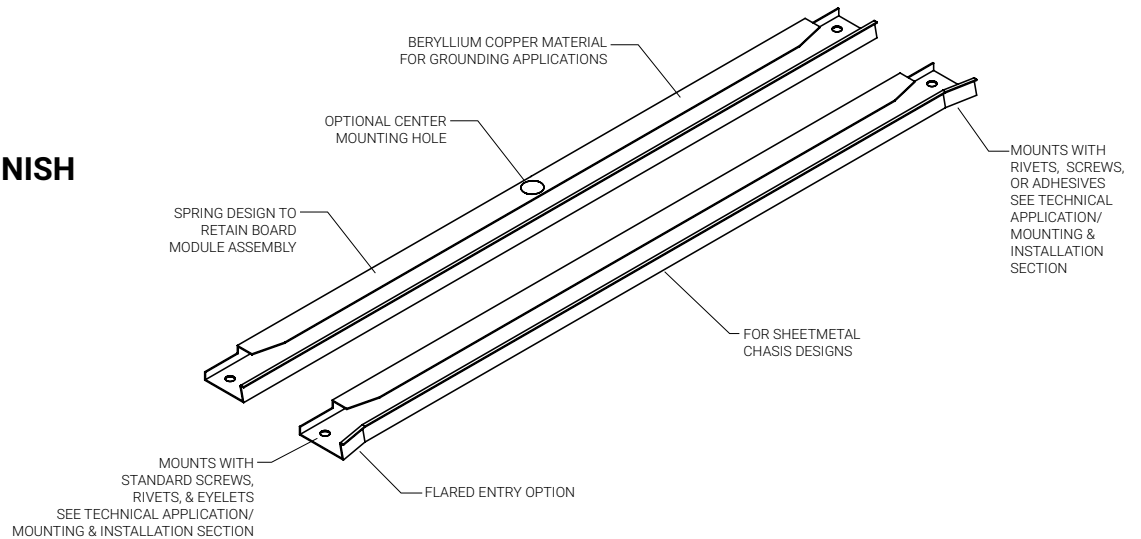
HOUSING

Material:

.008-in. (.20-mm) thick
 Beryllium Copper per
 ASTM B-194 or Stainless
 Steel per ASTM A-366

Finish:

See finish table on
 opposite page



MATERIALS TABLE

CODE	
B	BERYLLIUM COPPER, 1/4H PER ASTM-B-194
BH	BERYLLIUM COPPER, 1/4H PER QQ-C-533, HEAT TREATED
CR	STAINLESS STEEL, TYPE 301 COND 1/4H PER AMS 5517

DIMENSION TABLE

CODE	A	B	C MAX		D	E
			35-1	35F-1		
-1	0.79(.031)	4.58(.180)	8.39(.330)	9.15(.360)	7.57(.298)	3.97(.156)
-2	1.59(.063)	4.58(.180)	8.39(.330)	9.15(.360)	7.57(.298)	3.97(.156)
-3	2.38(.094)	4.58(.180)	8.39(.330)	9.15(.360)	7.57(.298)	3.97(.156)
-4	3.18(.125)	4.58(.180)	9.40(.370)	10.16(.400)	58.39(.330)	3.97(.156)

FINISH TABLE

CODE	
-1	NONE
-3	CADMIUM PER QQ-P-416, TYPE 2, CLASS 2
-5	GOLD PLATE PER MIL-G-45204, TYPE 1, GLASS 1
-6	NICKEL PLATE PER QQ-N-290, CLASS 1, GRADE G, BRIGHT
-7	ZINC PLATE CLEAR CHROMATE, PER ASTM-B-633, Fe/Zn 8
-8	ZINC PLATE YELLOW CHROMATE, PER ASTM-B-633, Fe/Zn 8

NO DASH NUMBER REQUIRED FOR CR MATERIAL. STAINLESS STEEL PARTS ARE PASSIVATED ONLY.

Part Number Code

35 C F -1 B - 2 - 10 - 5

Center Mounting Hole
Center Mounting Hole _____ **C**
None _____ **[Blank]**

Flared Entry
Flared Entry _____ **F**
None _____ **[Blank]**

Material
Beryllium Copper _____ **B**
or select from Materials Table

Board Thickness
1.59(.063) PCB Thickness _____ **2**
or select from Dimension Table

Length
Length in 12.7 (.50) increments _____ **4 [50.8 (2.00)]**
_____ to 20 [254.0 (10.00)]
Special Length _____ **15 [190.5 (7.50)]**

Finish
Gold Plate _____ **5**
or select from Finish Table

Part number code examples: 35C-1B-2-4-7

Series 35-1 PCB-TAINER, with center mounting hole, Beryllium Copper, for 1.59-mm (.063-in.) thick board, 50.8-mm (2.00-in.) long, Zinc Plate Clear Chromate finish.

