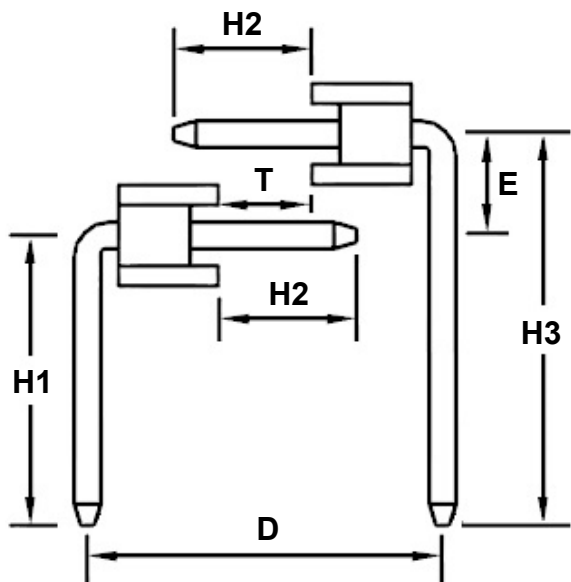
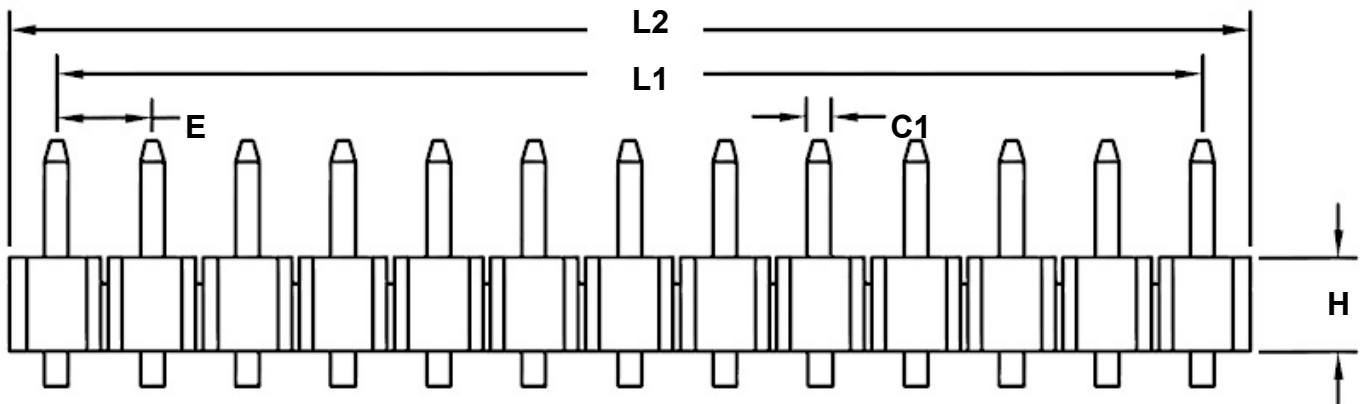


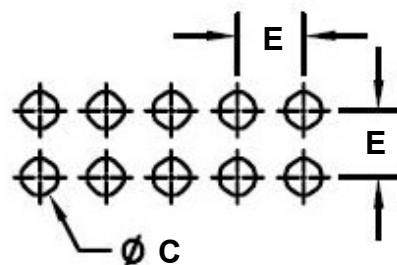
0.1" 40 pin Header Pair for PCB Edge to DIP Conversion

REF.	DIMENSIONS					
	mm			inches		
	MIN.	TYP.	MAX.	MIN.	TYP.	MAX.
C		1.02				
C1		0.64				
D		7.62		0.300		
E		2.54		0.100		
H		2.54				
H1		8.55				
H2		3.00				
H3		11.09				
L1		99.06		3.900		
L2		101.60		4.000		
T		1.60				

T is the recommended PCB thickness. HDR-ETD is a set of two headers: one short pin (H1) + one long pin (H3).



Recommended PCB Hole Layout



SPECIFICATIONS

Plastic body construction: PA6T plastic (320°C melting point)

Pin construction: Gold plated (brass pin, with 1um gold over 50um nickel)

Operating temperature range: -40°C to +130°C

Reflow maximum temperature: +260°C