

63951-4 ✓ ACTIVE

FASTON | FASTON 250

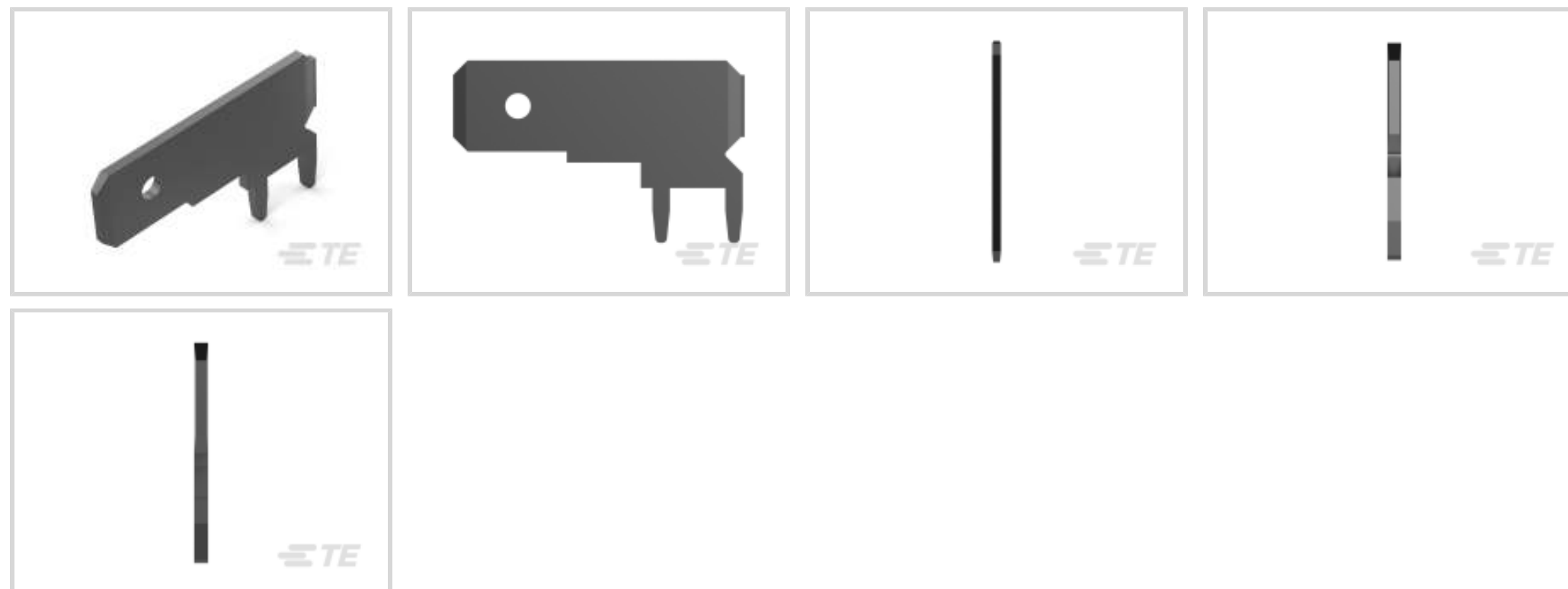
TE Internal #: 63951-4

PCB Terminals, Tab, Mating Tab Width .25 in [6.35 mm], PCB Hole Diameter 1.4 mm [.055 in], Through Hole - Solder, Tin Plating, Nickel, FASTON 250

[View on TE.com >](#)



Terminals & Splices > PCB Terminals



PCB Terminal Type: **Tab**

PCB Thickness (Recommended): 1.57 mm [.062 in]

Mating Tab Width: 6.35 mm [.25 in]

Mating Tab Thickness: .8 mm [.031 in]

PCB Hole Diameter: 1.4 mm [.055 in]

## Features

### Configuration Features

Connection Capacity	Single
---------------------	--------

### Contact Features

PCB Contact Termination Area Plating Material Thickness	3.81 μm[150 μin]
---------------------------------------------------------	------------------

Contact Underplating Material Thickness	1.27 μm[50 μin]
-----------------------------------------	-----------------

Contact Mating Area Plating Material Thickness	3.81 μm[150 μin]
------------------------------------------------	------------------

PCB Terminal Type	Tab
-------------------	-----

Mating Tab Width	6.35 mm[.25 in]
------------------	-----------------

Mating Tab Thickness	.8 mm[.031 in]
----------------------	----------------

Terminal Plating Material	Tin
---------------------------	-----

Contact Underplating Material	Nickel
-------------------------------	--------

Terminal Size	6.35
---------------	------

Terminal Orientation	Right Angle
----------------------	-------------

### Termination Features

Termination Method to Printed Circuit Board	Through Hole - Solder
---------------------------------------------	-----------------------



Product Terminates To

Printed Circuit Board

### Mechanical Attachment

Wire Insulation Support

Without

### Dimensions

Extension Below Board

3.81 mm[.150 in]

Terminal Material Thickness

.8 mm[.031 in]

PCB Thickness (Recommended)

1.57 mm[.062 in]

PCB Hole Diameter

1.4 mm[.055 in]

Profile Height from PCB

8.89 mm[.354 in]

### Usage Conditions

Insulation Option

Uninsulated

Operating Temperature Range

-30 – 110 °C[-22 – 230 °F]

### Industry Standards

Agency/Standard

CSA, UL

### Packaging Features

Packaging Quantity

8500

Packaging Method

Reel

### Product Compliance

For compliance documentation, visit the product page on [TE.com](https://www.te.com)>

EU RoHS Directive 2011/65/EU

Compliant

EU ELV Directive 2000/53/EC

Compliant

China RoHS 2 Directive MIIT Order No 32, 2016

No Restricted Materials Above Threshold

EU REACH Regulation (EC) No. 1907/2006

Current ECHA Candidate List: JUNE 2023 (235)  
 Candidate List Declared Against: JUNE 2023 (235)  
 Does not contain REACH SVHC

Halogen Content

Low Halogen - Br, Cl, F, I < 900 ppm per homogenous material. Also BFR/CFR/PVC Free

Solder Process Capability

Not applicable for solder process capability

Product Compliance Disclaimer

This information is provided based on reasonable inquiry of our suppliers and represents our current actual knowledge based on the information they provided. This information is subject to change. The part numbers that TE has identified as EU RoHS compliant have a maximum concentration of 0.1% by weight in homogenous materials for lead, hexavalent chromium, mercury, PBB, PBDE, DBP, BBP, DEHP, DIBP, and 0.01% for cadmium, or qualify for an exemption to these limits as defined in the Annexes of Directive 2011/65/EU (RoHS2). Finished electrical and electronic equipment products will be CE marked as required by Directive 2011/65/EU. Components may not be CE marked. Additionally, the part numbers that TE has identified as EU ELV compliant have a maximum concentration of 0.1% by weight in homogenous materials for lead, hexavalent chromium, and mercury, and 0.01% for cadmium, or qualify for an exemption to these limits as defined in the Annexes of Directive 2000/53/EC (ELV). Regarding the REACH Regulation, the information TE provides on SVHC in articles for this part number is based on the latest European Chemicals Agency (ECHA) 'Guidance on requirements for substances in articles' posted at this URL: <https://echa.europa.eu/guidance-documents/guidance-on-reach>

## Compatible Parts



TE Part # 63860-1  
187 FASTON TAB TPBR



TE Part # 1217061-1  
187 FASTON,FLAG,TAB,TNBR



TE Part # 1742303-1  
250 FASTON,PCB TAB,TNBR



TE Part # 1217062-1  
187 FASTON,FLAG,PCB TAB,TNBR



TE Part # 63952-1  
250 FASTON TAB TPBR



TE Part # 63860-2  
187 FASTON TAB TPBR



TE Part # CAT-P100  
Pin Insertion Machine P100



TE Part # CAT-P280  
P280 PIN INSERTION MACHINE



TE Part # CAT-P300  
Pin Insertion Machine P300



TE Part # CAT-P360  
P360 Pin Insertion Machine



TE Part # CAT-P550  
Pin Insertion Machine P550



TE Part # 1217136-3  
250 FASTON,PCB TAB,TNBR



TE Part # 2410420-3  
EP PIN INSERTION MACHINE

## Also in the Series | FASTON 250



Compression Connectors(4)



Crimp Terminal Housings(142)



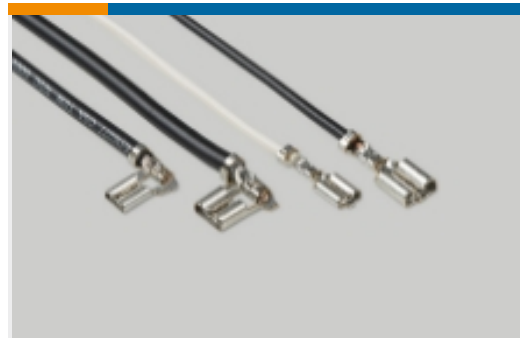
Insertion & Extraction Tools(6)



Magnet Wire Terminals(1)



PCB Terminals(135)

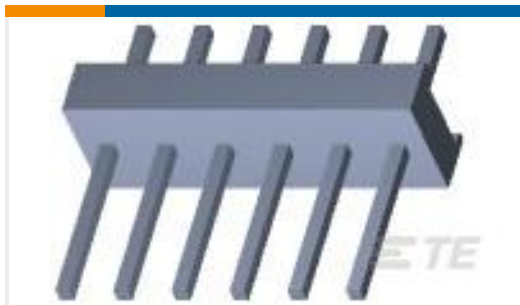


Quick Disconnects(445)



Splices(4)

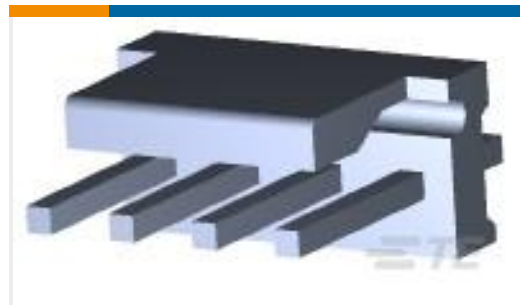
## Customers Also Bought



TE Part #640452-6  
06P MTA100 HDR ASSY SQ STR



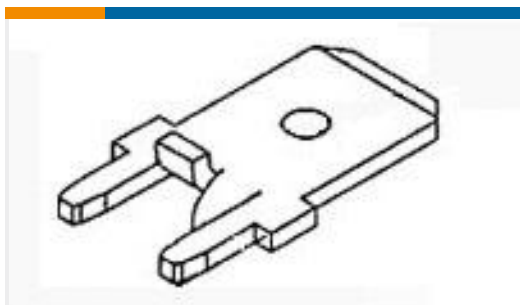
TE Part #1462037-9  
IM02GR=IM RELAY 140mW 4.5V



TE Part #640445-4  
04P MTA156 HDR ASSY FL/STR SN



TE Part #640445-2  
02P MTA156 HDR ASSY FL/STR SN



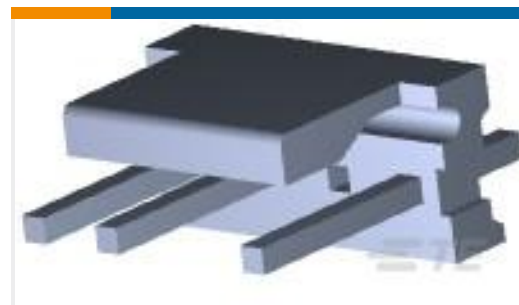
TE Part #63862-1  
250 FASTON TAB TPBR



TE Part #61795-3  
RING 18-14 AWG TPBR



TE Part #2321918-4  
PLUG HOUSING SDL2.5  
WATERPROOF 4PIN



TE Part #643493-1  
04P MTA156 HDR ASSY STR W/O#2

## Documents

[Product Drawings](#)  
[250 FASTON TAB TPBR](#)

English

[CAD Files](#)  
[3D PDF](#)

3D



**Customer View Model**

[ENG\\_CVM\\_CVM\\_63951-4\\_S.2d\\_dxf.zip](#)

English

**Customer View Model**

[ENG\\_CVM\\_CVM\\_63951-4\\_S.3d\\_igs.zip](#)

English

**Customer View Model**

[ENG\\_CVM\\_CVM\\_63951-4\\_S.3d\\_stp.zip](#)

English

By downloading the CAD file I accept and agree to the [Terms and Conditions](#) of use.

**Product Specifications**

[FASTON\\* 110, 187, 205, 250, and 312 Series Tab Contacts for Printed Circuit \(PC\) Board Applications](#)

English