

THIS DRAWING IS UNPUBLISHED. RELEASED FOR PUBLICATION 20
 © COPYRIGHT 20 BY TYCO ELECTRONICS CORPORATION. ALL INTERNATIONAL RIGHTS RESERVED.

LOC	DIST	REVISIONS					
CE	16	P	LTR	DESCRIPTION	DATE	DWN	APVD
		B		ECR 09-021710	12-8-09	LGE	FA

1 MATERIAL: THERMOPLASTIC ELASTOMER
 ARNITEL PL460S
 FLAMABILITY RATING: UL94V-0
 COLOR : BLACK

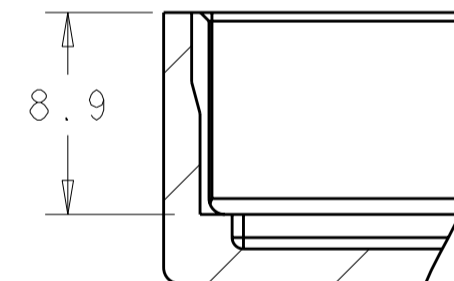
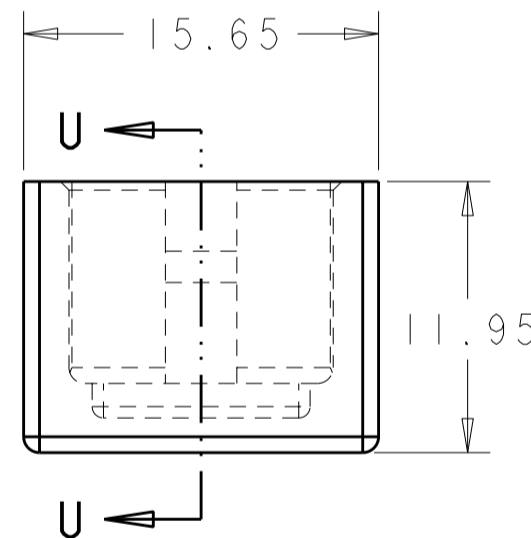
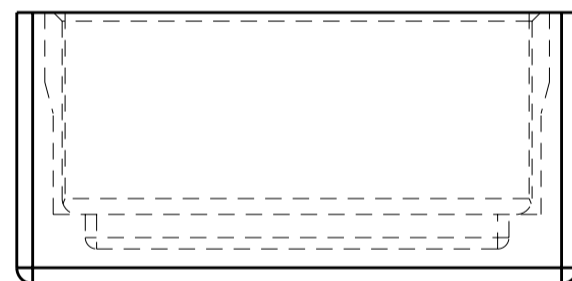
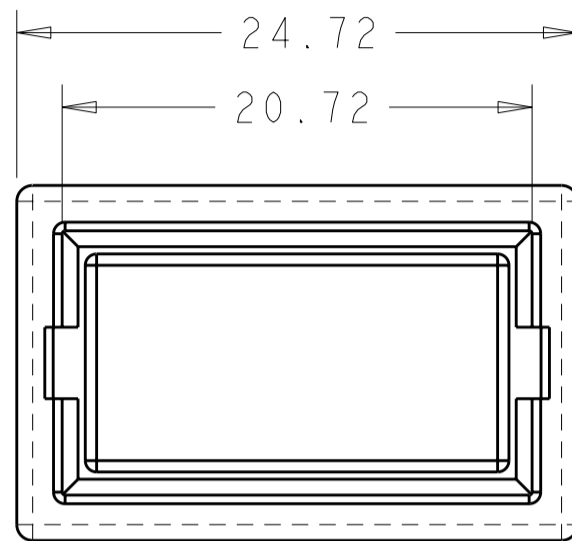
2 BULK PACKAGE 25 PCS.

3. RETENTION FORCE: 1/2 LB MIN.

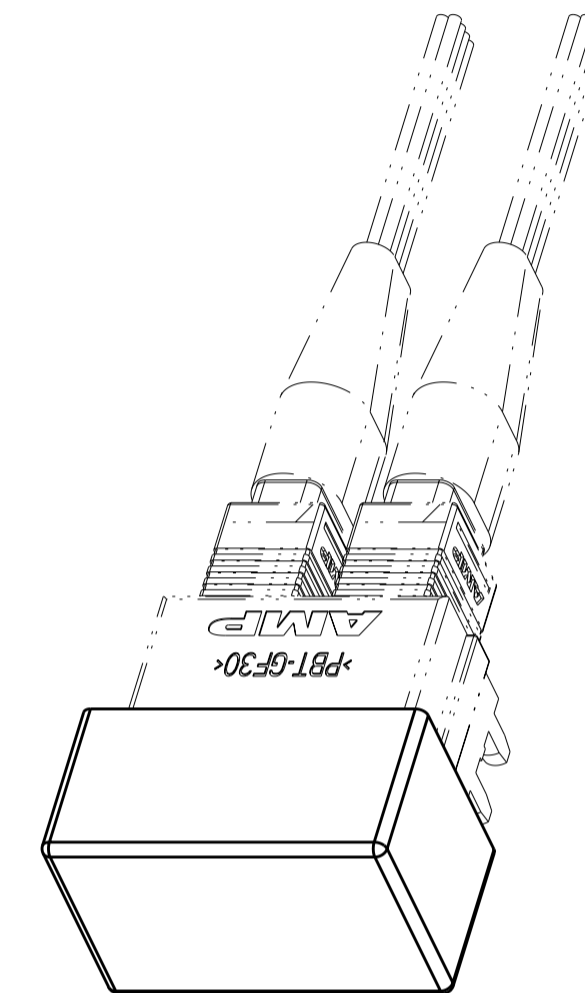
4 MATERIAL: THERMOPLASTIC ELASTOMER
 ARNITEL PL460S
 FLAMABILITY RATING: UL94V-0
 COLOR: RED

5 MATERIAL: THERMOPLASTIC ELASTOMER
 ARNITEL PL460S
 FLAMABILITY RATING: UL94V-0
 COLOR: GREEN

6 MATERIAL: THERMOPLASTIC ELASTOMER
 ARNITEL PL460S
 FLAMABILITY RATING: UL94V-0
 COLOR: BLUE



SECTION U-U



SCALE 2:1

BLUE	1	1374674-8
GREEN	6	1374674-7
RED	5	1374674-6
BLACK	4	1374674-5
BLACK	1	1374674-1
COLOR	MATERIAL	PART NO

THIS DRAWING IS A CONTROLLED DOCUMENT FOR TYCO ELECTRONICS CORPORATION IT IS SUBJECT TO CHANGE AND THE CONTROLLING ENGINEERING ORGANIZATION SHOULD BE CONTACTED FOR THE LATEST REVISION.		DWN 22MAY2000 L MORNINGSTAR CHK 22MAY2000 L BARKUS APVD 22MAY2000 F ABENDSCHEIN	Tyco Electronics Harrisburg, PA 17105-3608
DIMENSIONS: mm 	TOLERANCES UNLESS OTHERWISE SPECIFIED: 0 PLC ± 1 PLC ±0.2 2 PLC ±0.13 3 PLC ± 4 PLC ± ANGLES ± FINISH	PRODUCT SPEC APPLICATION SPEC WEIGHT	NAME SYSTEM CARD HOUSING, DUST COVER 1X2 VERTICAL, LIGHTRAY MPX SIZE CAGE CODE DRAWING NO RESTRICTED TO A200779 C-1374674 -
MATERIAL		CUSTOMER DRAWING	SCALE 3/1 SHEET 1 OF 1 REV B