

REVISIONS					
P	LTR	DESCRIPTION	DATE	DWN	APVD
	B1	REVISED PER ECO-10-000443	18JAN10	KK	HMR
	B2	REVISED PER ECR-20-005366	21APR2020	SS	DL

注記:

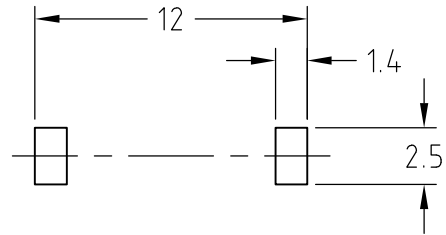
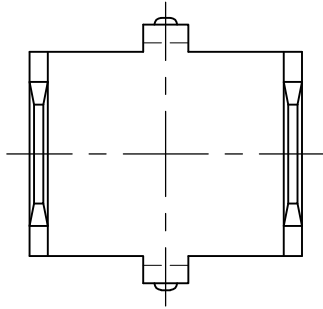
1. 本製品の旧管理型番は3111-0である。

本図-1を示す。  
AS SHOWN-1

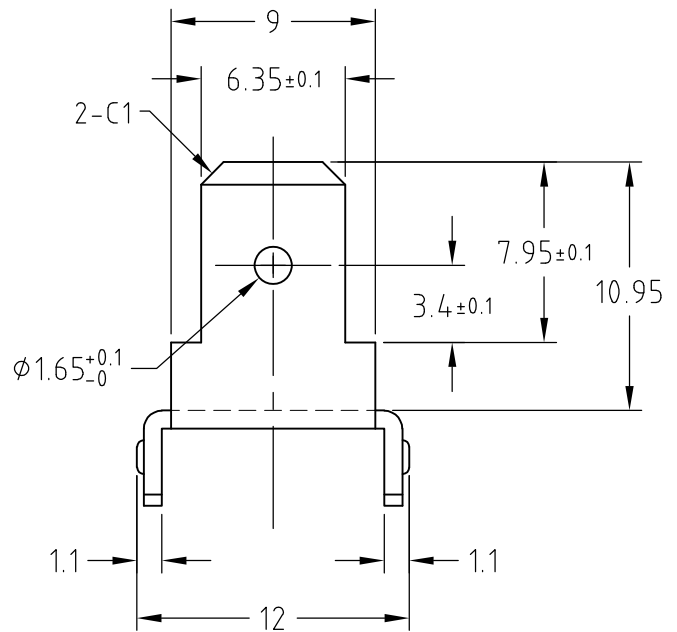
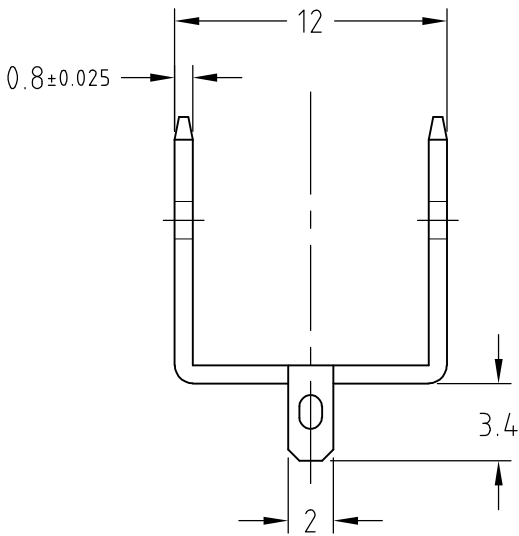
NOTE:

1. THE FORMER P/N OF THIS PRODUCT:3111-0

△ OBSOLETE PARTS: OBSOLETE CIS STREAMLINING PER D.RENAUD/D.SINISI



参考:取付基板穴寸法  
(NOTE: APPLICABLE P.C.B LAY OUT)



△ 2	OBSOLETE	BRASS WITH TIN PLATING	—1565047-1—
		MATERIAL AND FINISH	PART NUMBER

TE Connectivity. All Rights Reserved.

DIMENSIONS: mm		DWN Y.YAMADA 26NOV01	MATERIAL SEE TABLE	FINISH SEE TABLE
TOLERANCES UNLESS OTHERWISE SPECIFIED:		CHK M.SHINDO 26NOV01	TE Connectivity Ltd.	
0 PLC ± ±0.2		APVD M.SHINDO 26NOV01		
1 PLC ± ±0.2		PRODUCT SPEC		
2 PLC ANGLES ±3°		APPLICATION SPEC	NAME 250 シリーズ タブ (TYPE K) 250 SERIES TAB (TYPE K)	
3 PLC ± ±		WEIGHT	SIZE A4	CAGE CODE 00779
4 PLC ANGLES ± ±			DRAWING NO C-1565047	RESTRICTED TO —

CUSTOMER DRAWING		SCALE 3:1	SHEET 1 OF 7	REV B2
------------------	--	--------------	-----------------	-----------

REVISIONS					
P	LTR	DESCRIPTION	DATE	DWN	APVD
-	-	SEE SHEET 1	-	-	-

本図-2示す。  
AS SHOWN-2

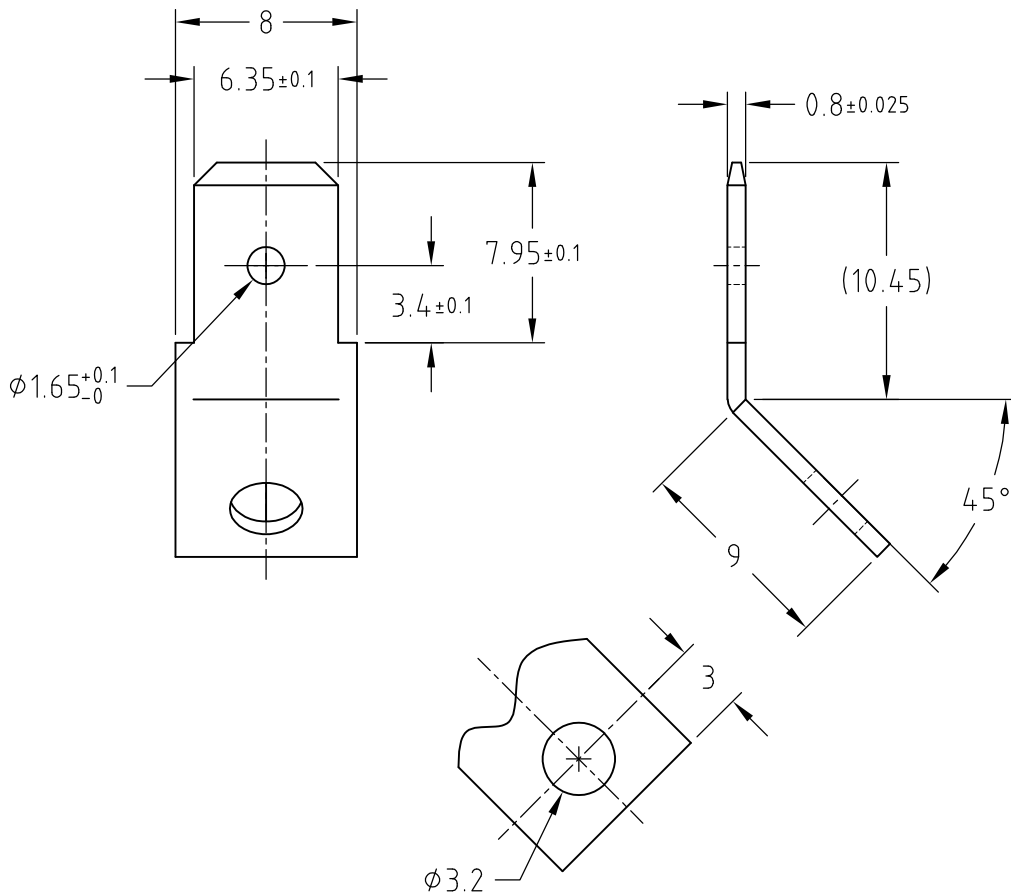
注記：

1. 本製品の旧管理型番は3149-0である。

NOTE:

1. THE FORMER P/N OF THIS PRODUCT:3149-0

 OBSOLETE PART




	BRASS WITH TIN PLATING	<del>1565047-2</del>
	MATERIAL AND FINISH	PART NUMBER

TE Connectivity. All Rights Reserved.

1

©

DIMENSIONS: mm	DWN Y.YAMADA	26NOV01	MATERIAL SEE TABLE	FINISH SEE TABLE		
	CHK M.SHINDO	26NOV01	 TE Connectivity Ltd.			
TOLERANCES UNLESS OTHERWISE SPECIFIED:	APVD M.SHINDO	26NOV01			NAME 250 シリーズ タブ (TYPE K) 250 SERIES TAB (TYPE K)	
0 PLC ± ±0.2	PRODUCT SPEC APPLICATION SPEC WEIGHT		SIZE A4	CAGE CODE 00779	DRAWING NO C-1565047	RESTRICTED TO -
1 PLC ± ±0.2			SCALE 3:1	SHEET 2 OF 7	REV B2	
2 PLC ANGLES ±3°	CUSTOMER DRAWING					
3 PLC ANGLES ±						
4 PLC ANGLES ±						

REVISIONS					
P	LTR	DESCRIPTION	DATE	DWN	APVD
-	-	SEE SHEET 1	-	-	-

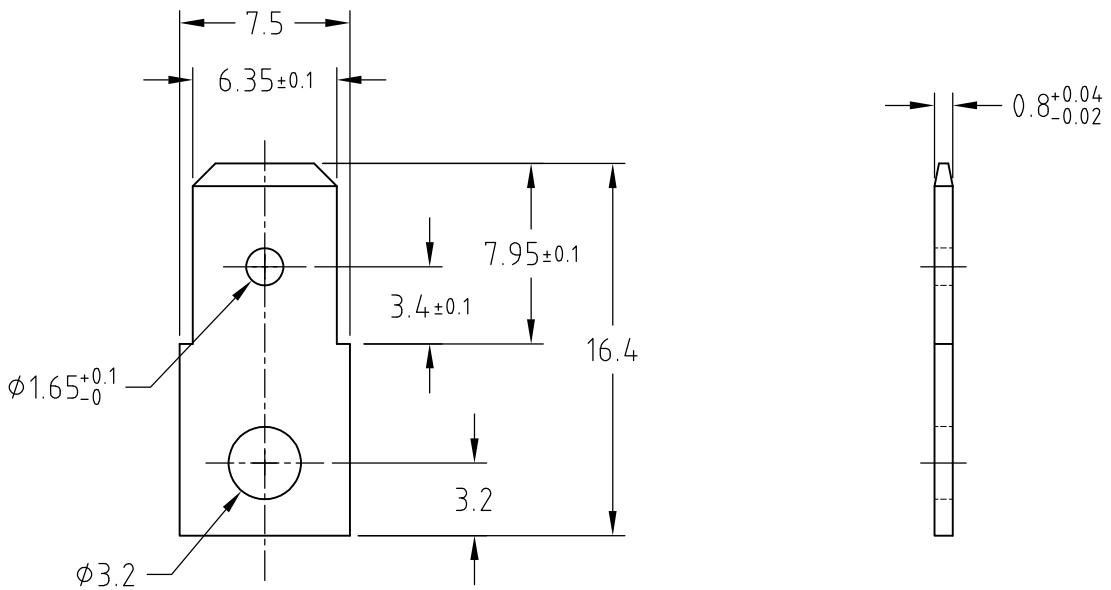
本図-3を示す。  
AS SHOWN-3

注記：

1. 本製品の旧管理型番は3158-0である。

NOTE:

1. THE FORMER P/N OF THIS PRODUCT:3158-0



TE Connectivity. All Rights Reserved.

BRASS WITH TIN PLATING	1565047-3
MATERIAL AND FINISH	PART NUMBER

DIMENSIONS: mm	DWN Y.YAMADA	26NOV01	MATERIAL SEE TABLE	FINISH SEE TABLE
	CHK M.SHINDO	26NOV01	TE Connectivity Ltd.	
TOLERANCES UNLESS OTHERWISE SPECIFIED:	APVD M.SHINDO	26NOV01		
	0 PLC ± ±0.2 1 PLC ± ±0.2 2 PLC ANGLES ±3° 3 PLC ANGLES ±3° 4 PLC ANGLES ± ±	PRODUCT SPEC		SIZE A4
	APPLICATION SPEC		DRAWING NO 1565047	RESTRICTED TO -
	WEIGHT		CUSTOMER DRAWING	
SCALE 3:1			SHEET 3 OF 7	REV B2

REVISIONS					
P	LTR	DESCRIPTION	DATE	DWN	APVD
-	-	SEE SHEET 1	-	-	-

本図-4を示す。  
AS SHOWN-4

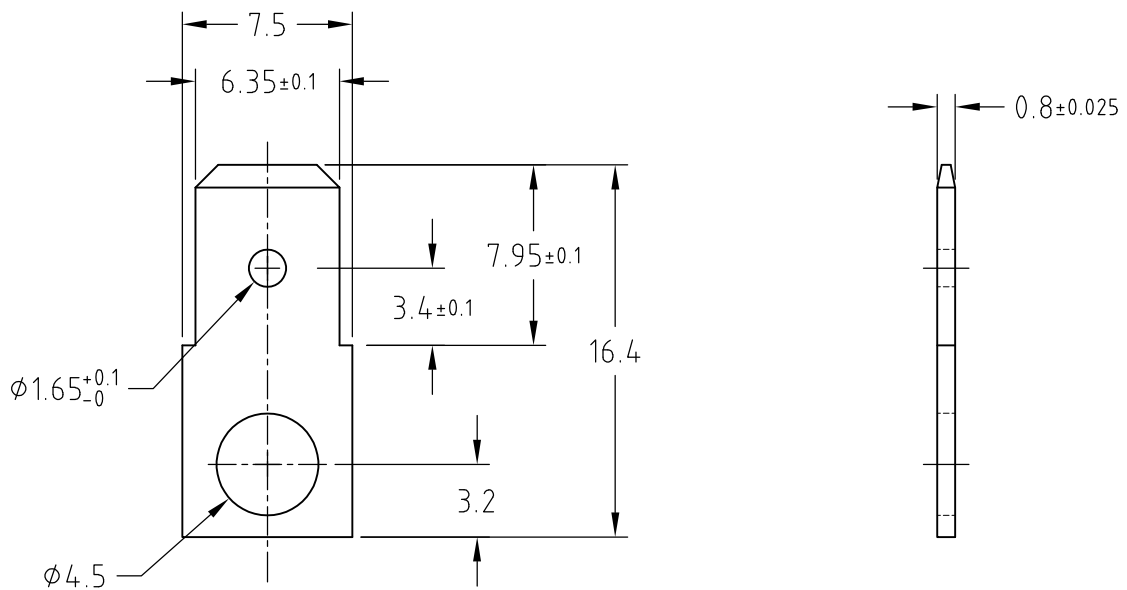
注記:

1. 本製品の旧管理型番は3170-0である。

NOTE:

1. THE FORMER P/N OF THIS PRODUCT:3170-0

△ OBSOLETE PARTS: OBSOLETE CIS STREAMLINING PER D.RENAUD/D.SINISI



△ 2	OBSOLETE	BRASS WITH TIN PLATING	<del>1565047-4</del>
		MATERIAL AND FINISH	PART NUMBER

TE Connectivity. All Rights Reserved.

DIMENSIONS: mm		DWN Y.YAMADA 26NOV01	MATERIAL SEE TABLE	FINISH SEE TABLE
TOLERANCES UNLESS OTHERWISE SPECIFIED:		CHK M.SHINDO 26NOV01	TE Connectivity Ltd.	
0 PLC ± ±0.2		APVD M.SHINDO 26NOV01		
1 PLC ± ±0.2		PRODUCT SPEC	NAME 250 シリーズ タブ (TYPE K)	
2 PLC ANGLES ±3°		APPLICATION SPEC	250 SERIES TAB (TYPE K)	
3 PLC ANGLES ±		WEIGHT	SIZE A4	CAGE CODE 00779
4 PLC ANGLES ±			DRAWING NO C-1565047	RESTRICTED TO -

CUSTOMER DRAWING		SCALE 3:1	SHEET 4 OF 7	REV B2
------------------	--	--------------	-----------------	-----------

REVISIONS					
P	LTR	DESCRIPTION	DATE	DWN	APVD
-	-	SEE SHEET 1	-	-	-

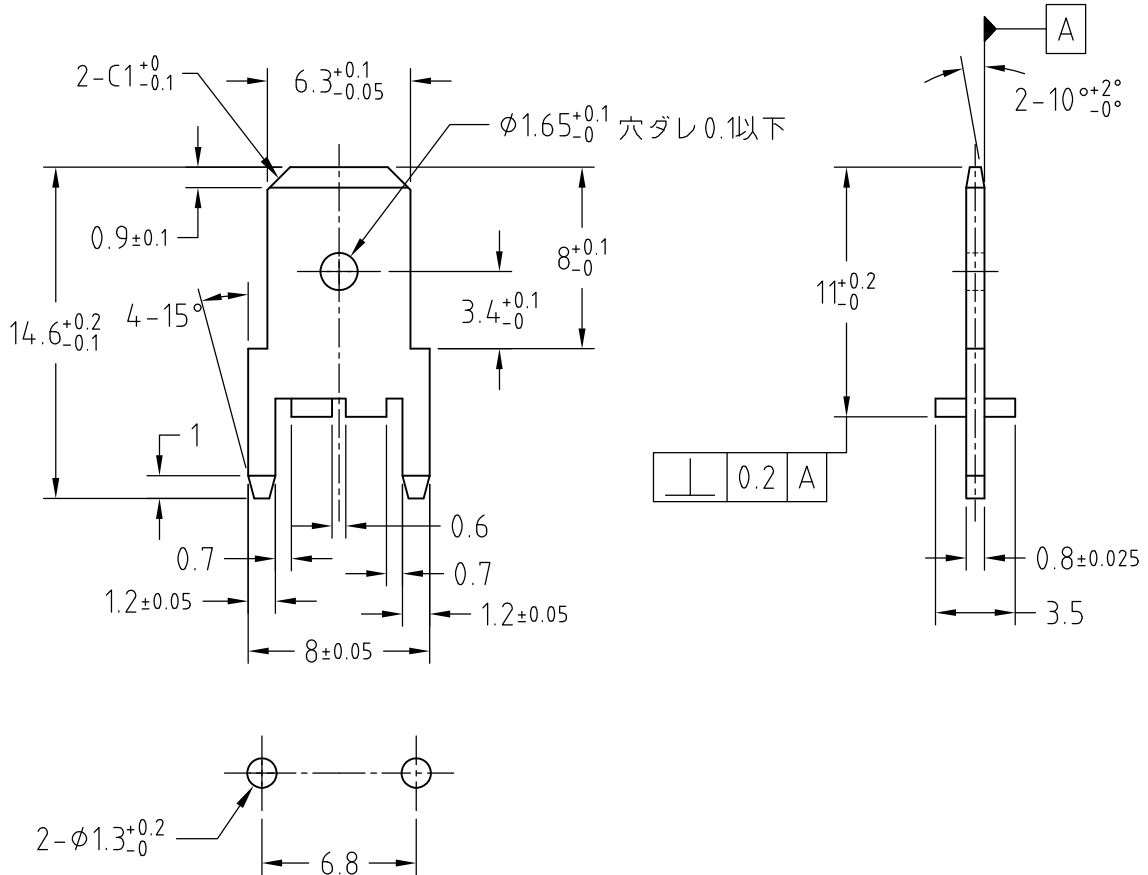
本図-5を示す。  
AS SHOWN-5

注記:

1. 本製品の旧管理型番は3191-0である。

NOTE:


1. THE FORMER P/N OF THIS PRODUCT:3191-0



参考:取付基板穴寸法  
(NOTE: APPLICABLE P.C.B LAY OUT)

TE Connectivity. All Rights Reserved.

BRASS WITH TIN PLATING	1565047-5
MATERIAL AND FINISH	PART NUMBER

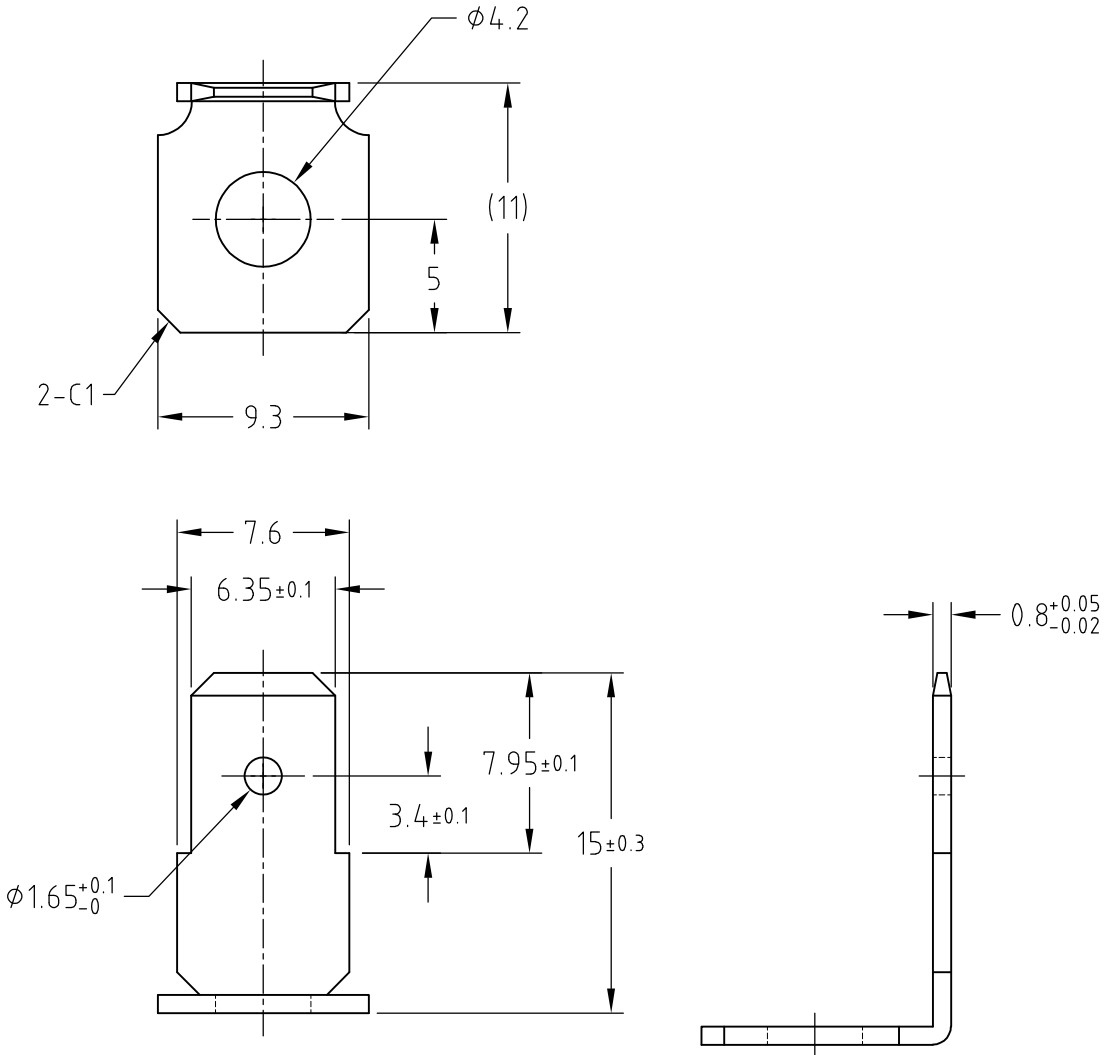
DIMENSIONS: mm	DWN Y, YAMADA 26NOV01	MATERIAL SEE TABLE	FINISH SEE TABLE
	CHK M. SHINDO 26NOV01	 TE Connectivity Ltd.	
TOLERANCES UNLESS OTHERWISE SPECIFIED:	APVD M. SHINDO 26NOV01		
0 PLC ± ±0.2	PRODUCT SPEC APPLICATION SPEC WEIGHT	NAME 250 シリーズ タブ (TYPE K)	
1 PLC ± ±0.2		250 SERIES TAB (TYPE K)	
2 PLC ANGLES ±3°	SIZE A4	CAGE CODE 00779	DRAWING NO C-1565047
3 PLC ANGLES ±	CUSTOMER DRAWING		RESTRICTED TO -
4 PLC ANGLES ±	SCALE 3:1	SHEET 5 OF 7	REV B2

REVISIONS					
P	LTR	DESCRIPTION	DATE	DWN	APVD
-	-	SEE SHEET 1	-	-	-

注記：  
1. 本製品の旧管理型番は4721-4である。


本図-6を示す。  
AS SHOWN-6

NOTE:  
1. THE FORMER P/N OF THIS PRODUCT:4721-4



TE Connectivity. All Rights Reserved.

BRASS WITH TIN PLATING	1565047-6
MATERIAL AND FINISH	PART NUMBER

DIMENSIONS: mm	DWN Y.YAMADA	26NOV01	MATERIAL SEE TABLE	FINISH SEE TABLE
	CHK M.SHINDO	26NOV01	 TE Connectivity Ltd.	
TOLERANCES UNLESS OTHERWISE SPECIFIED:	APVD M.SHINDO	26NOV01		
	0 PLC $\pm \pm 0.2$	PRODUCT SPEC APPLICATION SPEC WEIGHT		SIZE A4
1 PLC $\pm \pm$	CAGE CODE 00779			DRAWING NO C-1565047
2 PLC ANGLES $\pm 3^\circ$	CUSTOMER DRAWING			
3 PLC ANGLES $\pm$	SCALE 3:1			SHEET 6 OF 7
4 PLC ANGLES $\pm$				REV B2

REVISIONS					
P	LTR	DESCRIPTION	DATE	DWN	APVD
-	-	SEE SHEET 1	-	-	-

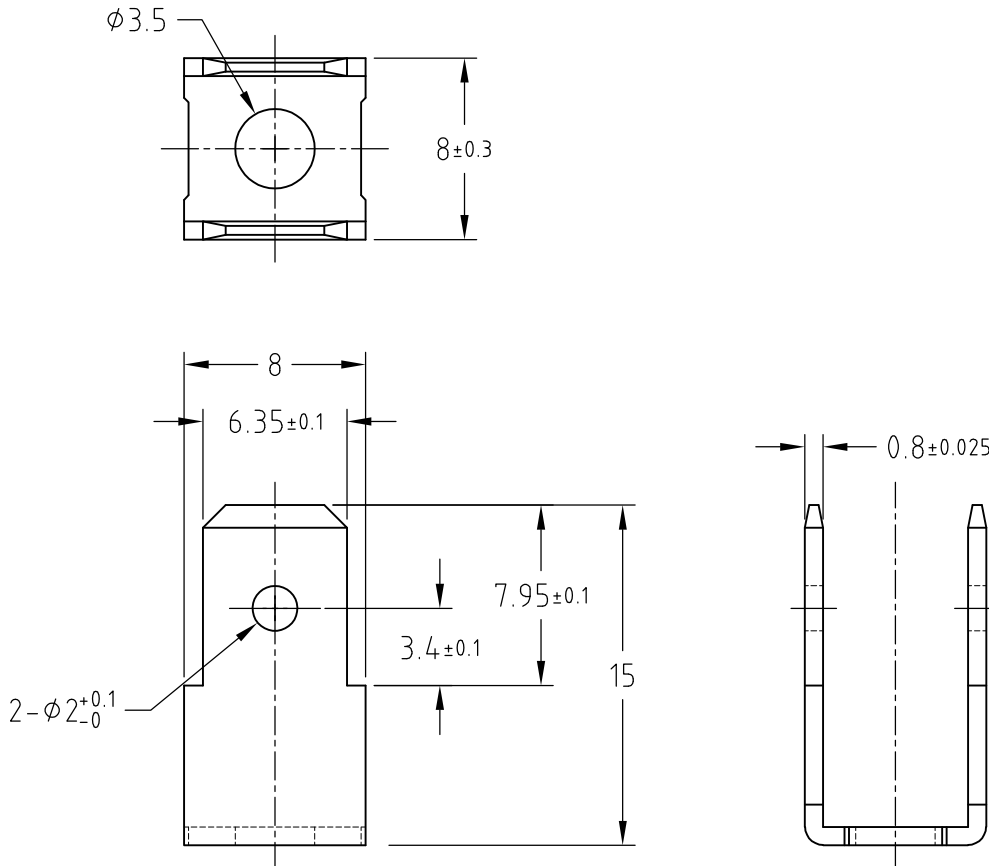
本図-7を示す。  
AS SHOWN-7

注記:

1. 本製品の旧管理型番は4995-0である。

NOTE:

1. THE FORMER P/N OF THIS PRODUCT:4995-0



TE Connectivity. All Rights Reserved.

1

©

BRASS WITH TIN PLATING	1565047-7
MATERIAL AND FINISH	PART NUMBER

DIMENSIONS: mm	DWN Y.YAMADA	26NOV01	MATERIAL SEE TABLE	FINISH SEE TABLE		
	CHK M.SHINDO	26NOV01	TE Connectivity Ltd.			
TOLERANCES UNLESS OTHERWISE SPECIFIED:	APVD M.SHINDO	26NOV01			NAME 250 シリーズ タブ (TYPE K) 250 SERIES TAB (TYPE K)	
	0 PLC ± ±0.2	<del>PRODUCT SPEC</del> <del>APPLICATION SPEC</del> <del>WEIGHT</del>			SIZE A4	
1 PLC ± ±0.2	CAGE CODE 00779				DRAWING NO C-1565047	RESTRICTED TO -
2 PLC ANGLES ±3°	CUSTOMER DRAWING					
3 PLC ANGLES ±	SCALE 3:1			SHEET 7 OF 7		
4 PLC ANGLES ±	REV B2					