

THIS DRAWING IS UNPUBLISHED. RELEASED FOR PUBLICATION 1825032, 1825032
 © COPYRIGHT By - ALL RIGHTS RESERVED.

LOC		DIST		REVISIONS			
P	LTR	DESCRIPTION		DATE	DWN	APVD	
	A2	REVISED PER ECO-11-021742		05NOV11	KH	PO	

1. OPERATING TEMPERATURE: -20°C TO 80°C.
2. STORAGE TEMPERATURE: -40°C TO 80°C.
3. CONTACT TIMING: NON-SHORTING.
4. CONTACT RATING: 0.4VA @ 20VDC.
5. CONTACT RATING MAXIMUM: 50mA 48V AC/DC.
6. CONTACT RATING MINIMUM: 1µA 20mV AC/DC.
7. CONTACT PLATING: GOLD OVER NICKEL.
8. FIXED CONTACT/TERMINAL: GOLD OVER NICKEL.
9. FRAME PLATING: TIN OVER NICKEL.
10. INITIAL CONTACT RESISTANCE: LESS THAN 50 MILLIOHMS PER EIA 364-23B.
11. FINAL CONTACT RESISTANCE: 100 MILLIOHMS MAX PER EIA 364-23B.
12. INSULATION RESISTANCE: 500 MEGOHMS MIN AT 250VDC PER EIA 364-21C.
13. DIELECTRIC STRENGTH: 500VAC BETWEEN TERMINALS AND GROUND PER EIA 364-20B, CONDITION 1.
14. VIBRATION PER EIA 364-28D, CONDITION VII, LEVEL E.
15. MECHANICAL SHOCK PER EIA 364-27B, CONDITION A.

16. LIFE EXPECTANCY: ON-OFF ELECTRICAL SWITCHING OPERATIONS PER EIA 364-9C 10 CYCLES PER MINUTE AT THE FOLLOWING RATED LOAD.

TYPE	MAXIMUM CONTACT RATING	0.4 VA	MINIMUM CONTACT RATING
D.E	10000 (OPERATIONS)	30000 (OPERATIONS)	30000 (OPERATIONS)

17. ACTUATION FORCE: 70-500g PER EIA 364-13B.
18. THERMAL SHOCK PER EIA 364-32C, -25°C TO 85°C.
19. HUMIDITY-TEMPERATURE CYCLING PER EIA 364-31B, METHOD III.
20. TEMPERATURE LIFE PER EIA 364-17B, METHOD B, TEMPERATURE TEST CONDITION 3, TIME CONDITION B.
21. RESISTANCE TO SOLDER HEAT PER 109-202,CON B.
22. SOLDERABILITY PER EIA 364-52, CLASS 2, CATEGORY 1.
23. SEALED PER IEC 529, IP67.
24. ALL MATERIALS AND FINISHES SHALL COMPLY WITH EU DIRECTIVE 2000/95/EC OF 27 JAN2003 (ROHS)

COLOR- BLACK	PA RESIN	SLIDE PLATE
COLOR- BLACK	PEI RESIN	BASE
OIL TREATED	PIANO WIRE	SPRING
COLOR- WHITE	PA RESIN	SLIDE PIN
-	SILICON RUBBER	ACTUATOR BOOT
7	PHOS BRONZE	MOVING CONTACT
8	PHOS BRONZE	FIXED CONTACT /TERMINAL
COLOR- YELLOW	PBT RESIN	ACTUATOR
9	BRASS	FRAME
COLOR- GRAY	PBT RESIN	CASE
FINISH	MATERIAL	PART DESCRIPTION

ON 2-3 5-6	OFF	ON 2-1 5-4	ALCO	SE2EGPC04	1825032-4
ON 2-3 5-6	NONE	ON 2-1 5-4	ALCO	SE2DGP04	1825032-3
ON 2-3	OFF	ON 2-1	ALCO	SE1EGPC04	1825032-2
ON 2-3	NONE	ON 2-1	ALCO	SE1DGPC04	1825032-1
TYCO POSITION A	TYCO	TYCO POSITION B	MARKINGS	ALCOSWITCH PART NUMBER	PART NUMBER
CIRCUIT ARRANGEMENT					
CIRCUIT CHARACTERISTICS					

THIS DRAWING IS A CONTROLLED DOCUMENT. DWN B.S.VISWESWARA 03MAR05
 CHK M.S.SARVER
 APVD -
 PRODUCT SPEC -
 APPLICATION SPEC -
 WEIGHT -
 CUSTOMER DRAWING

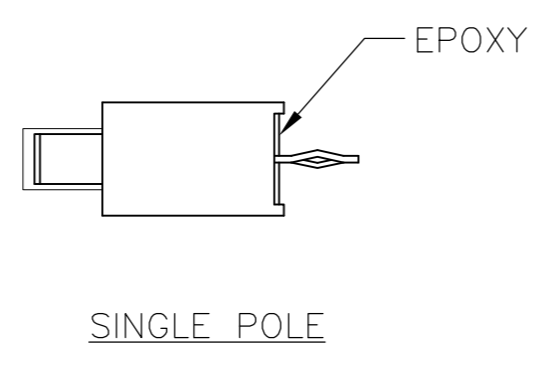
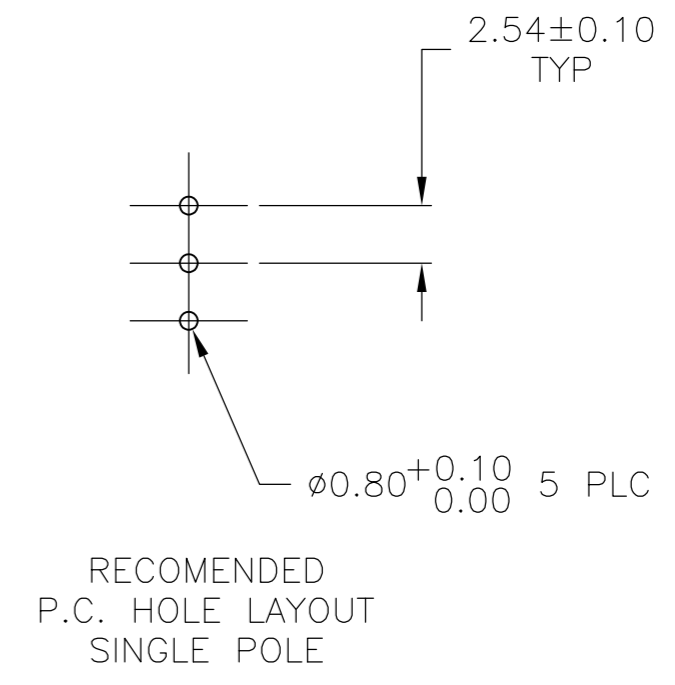
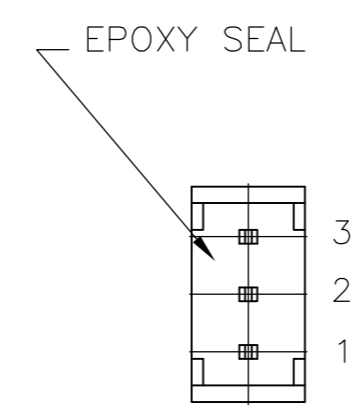
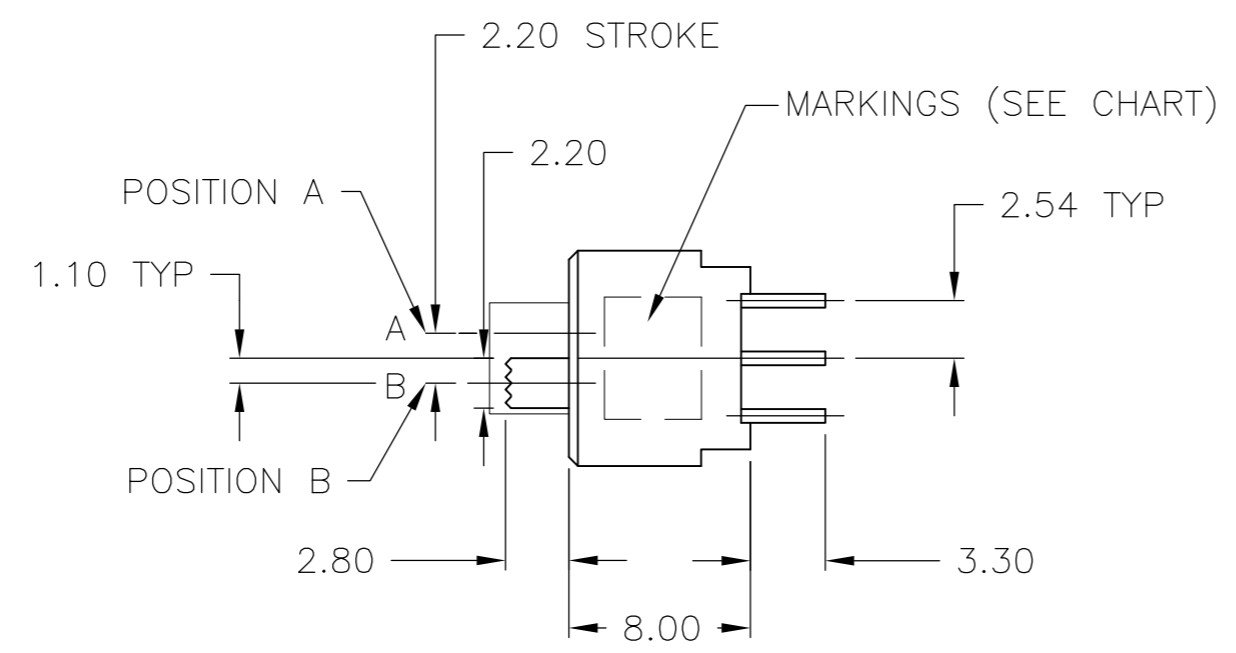
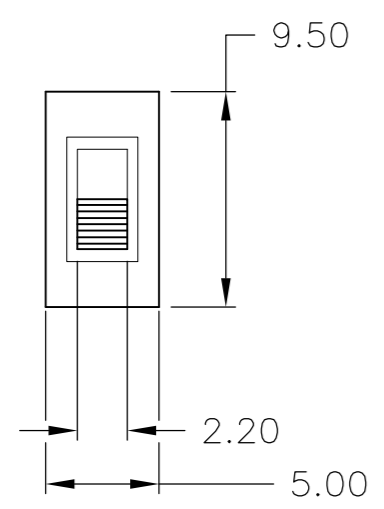
STE TE Connectivity

SWITCH, SLIDE, SEALED SE(**)GPC

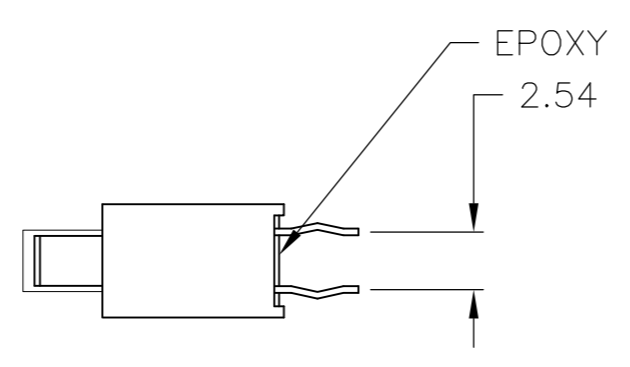
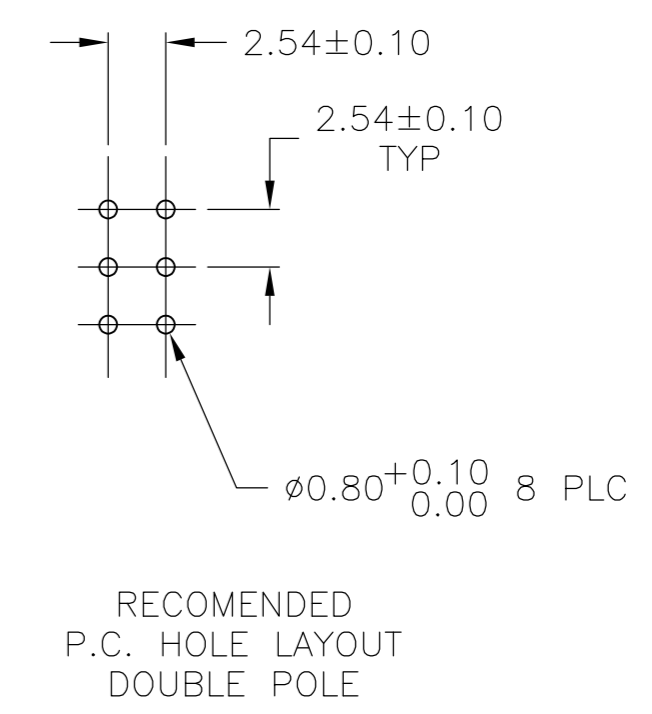
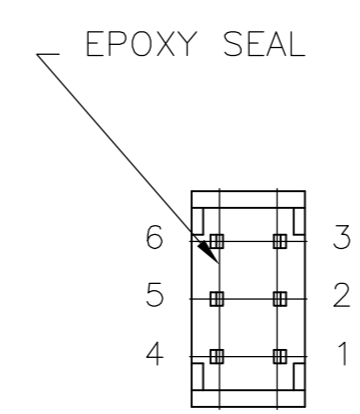
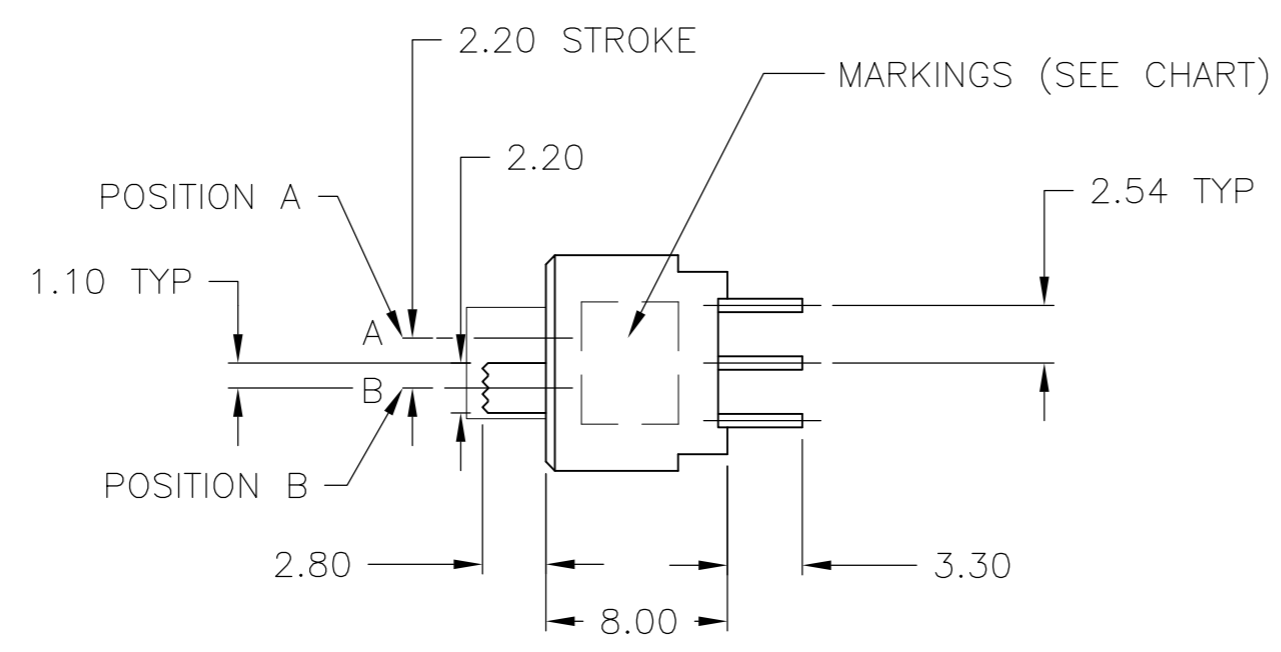
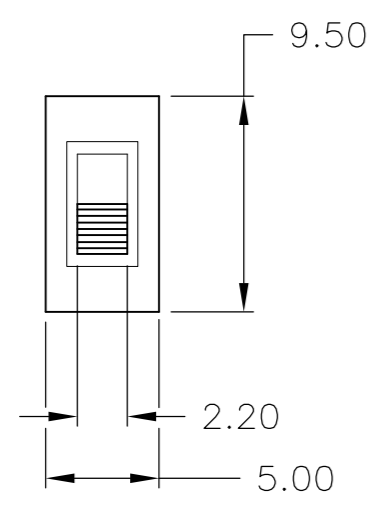
SCALE 1:1 SHEET 1 OF 2 REV A2

THIS DRAWING IS UNPUBLISHED. RELEASED FOR PUBLICATION 1825032, 1825032
 © COPYRIGHT 1825032y - ALL RIGHTS RESERVED.

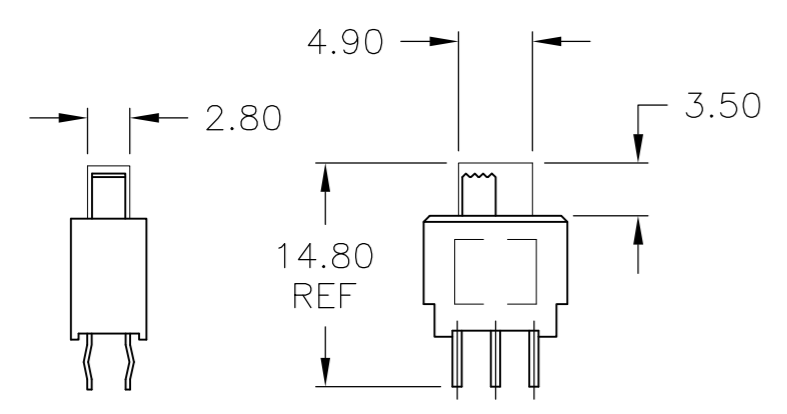
LOC	DIST	REVISIONS			
P	LTR	DESCRIPTION	DATE	DWN	APVD
-	-	SEE SHEET 1	-	-	-



SINGLE POLE



DOUBLE POLE



ACTUATOR BOOT DIMENSIONS SCALE 2:1

THIS DRAWING IS A CONTROLLED DOCUMENT.		DWN B.S.VISWESWARA	03MAR05	TE TE Connectivity	
DIMENSIONS: mm		CHK M.S.SARVER	APVD -		
TOLERANCES UNLESS OTHERWISE SPECIFIED: 0 PLC ± - 1 PLC ± - 2 PLC ± 0.25 3 PLC ± - 4 PLC ± - ANGLES ± 0°30'		PRODUCT SPEC -	APPLICATION SPEC -	SWITCH, SLIDE, SEALED SE(**)GPC	
MATERIAL -	FINISH -	WEIGHT -	SIZE A2	CAGE CODE -	DRAWING NO 1825032
CUSTOMER DRAWING			SCALE 3:1	SHEET 2 of 2	REV A2