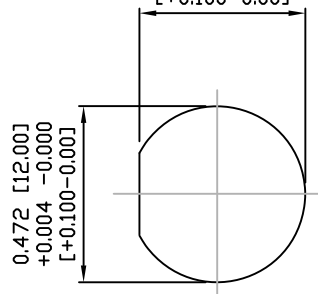
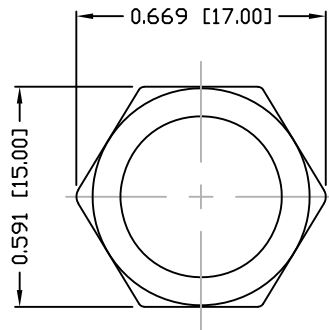


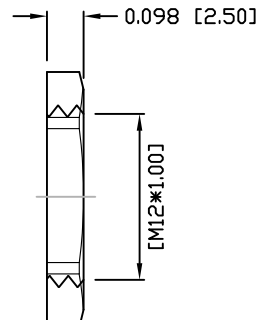
0.445 [11.30]
+0.004 -0.000
[+0.100-0.000]



PANEL CUTOUT



NUT



NOTE:

MATERIAL

HOUSING: PBT UL94V-0, BLACK
CONTACT: COPPER ALLOY
NUT: COPPER ALLOY
SHELL: COPPER ALLOY
O-RING: EPDM, BLACK

FINISH

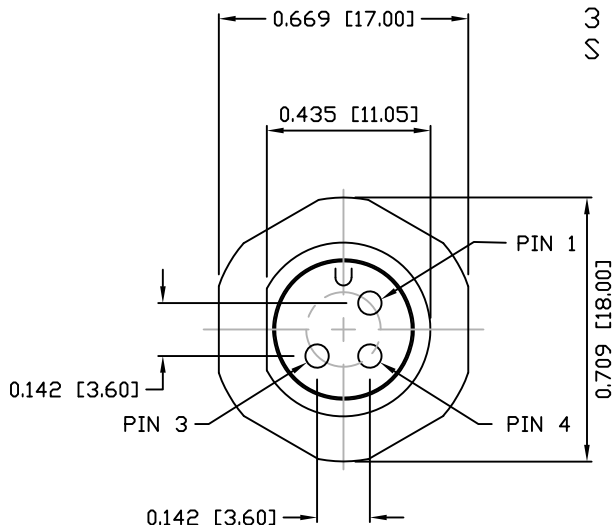
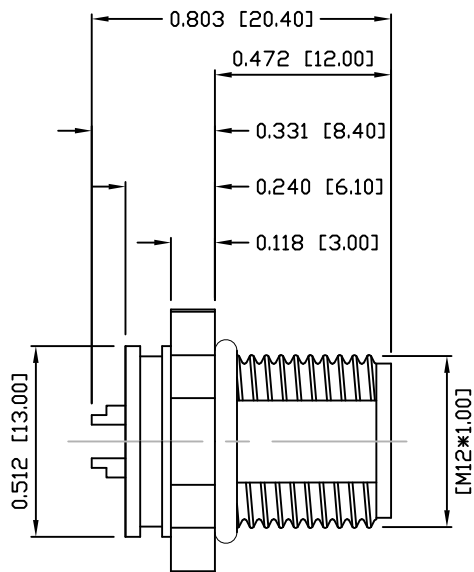
CONTACT: GOLD PLATED
OVER 50u" NICKEL
NUT: NICKEL PLATED
60u" TO 100u" OVER ALL
SHELL: NICKEL PLATED
60u" TO 100u" OVER ALL

ELECTRICAL

RATED CURRENT: 4A
RATED VOLTAGE: 250V
INSULATION RESISTANCE: 100 MΩhms MIN.
CONTACT RESISTANCE: 10 mΩhms MAX.
WATER PROOF: IP67

ENVIRONMENT

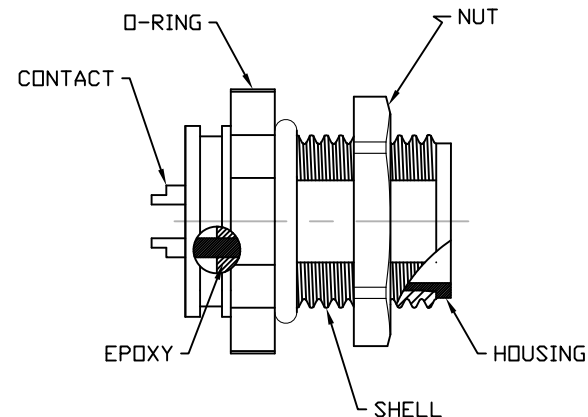
OPERATION TEMPERATURE: -40°C TO +85°C
MAX WIRE AWG: 22



3 = COPPER ALLOY/NICKEL SHELL & NUT
S = STAINLESS STEEL SHELL & NUT

859-R03-103R00Y

1 = GOLD FLASH
4 = 10u" GOLD



RoHS COMPLIANT

UNITS = INCHES [MM]

DO NOT SCALE FROM DRAWING



THESE DRAWINGS AND SPECIFICATIONS ARE THE PROPERTY OF NorComp AND SHALL NOT BE REPRODUCED, COPIED OR USED AS THE BASIS FOR THE MANUFACTURE OR SALE OF APPARATUS WITHOUT WRITTEN PERMISSION.

DRAWN:

M. SIGMON

DATE:

03-07-16

NorComp

SCALE:

NTS

SHEET

OF

1

1

REV

3

DWG NO.

859-R03-103R00Y