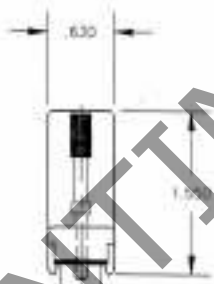
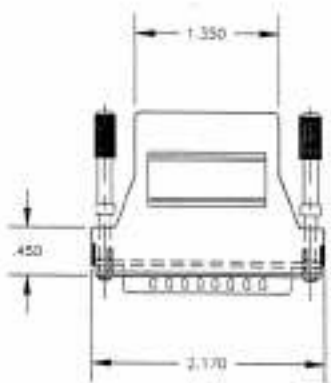


DISCONTINUED



THUMBSCREW 4-40 THREAD



- 1 - - - - - WHITE
- 2 - - - - - BLACK
- 3 - - - - - RED
- 4 - - - - - GREEN
- 5 - - - - - YELLOW
- 6 - - - - - BLUE



NOTE: DIMENSIONS ARE IN INCHES AND SHOULD BE USED FOR REFERENCE ONLY



DESCRIPTION: MODULAR ADAPTER, 6P4 TO DB-25 MALE	APPROV BY: S. KERR	DWG. NO. 0.S. 1121	REV
COLOR: BLACK			
MATERIAL: THERMOPLASTIC 1/4-1/8			
PART NO. AMK-0321			

DWG BY: HW NOLYEN
DATE: 03/17/93
SCALE: 1
SHEET 1 OF 1