

Molded Parts Specification Control Drawing

Part Number : 422A414
Description : Transition, Two 90° Side Breakouts

NOTES

- All dimensions are in $\frac{\text{inches}}{\text{[millimeters]}}$
- Dimensions appearing in table are as follows:
 - a - As Supplied
 - b - After Unrestricted Recovery
- Coating is optional. As supplied dimensions appearing in table are for uncoated parts. When coating is added, entry diameters will be reduced by .06 max.
- Molding port is optional. When -00 modification number is specified molding port will be located as shown.

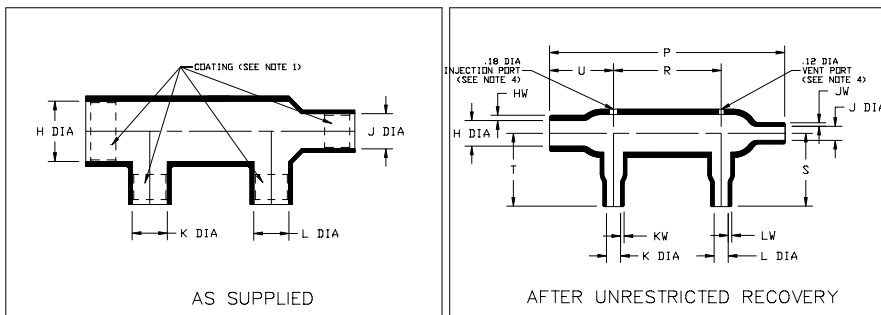


TABLE OF DIMENSIONS

PART NUMBER	H		J, K & L		P	R	S	T	U	HW	JW & KW	LW
	Min	Max	Min	Max	±10%	±10%	±10%	±10%	±10%	±20%	±20%	±20%
422A414	a	b	a	b	b	b	b	b	b	b	b	b
	[.30,5]	[.15,2]	[.17,8]	[.8,9]	[4.60,116,8]	[2.10,53,3]	[1.30,33,0]	[1.30,33,0]	[1.25,31,7]	[.10,2,5]	[.06,1,5]	[.06,1,5]

**If this document is printed it becomes uncontrolled.
Check for the latest revision.**

tyco/Electronics/Raychem

TYCO ELECTRONICS
307 CONSTITUTION DRIVE
MENLO PARK, CALIFORNIA 94025

Revision : F
Date : 2/19/02

Part Number : 422A414
Description : Transition, Two 90° Side Breakout

Molded Parts Specification Control Drawing

Part Number : 422A414
Description : Transition, Two 90° Side Breakout

COMPATABILITY CHART					
MATERIAL DASH NO.	MATERIAL DESCRIPTION	RT SPEC	COATING SLASH NO.	COATING S NO.	COATING DESCRIPTION
-3	Polyolefin, Semi-rigid	RT-301	/42;/86	S-1017;S-1048	Adhesive
-4	Polyolefin, Flexible	RT-1304	/42;/86	S-1017;S-1048	Adhesive
-12	*VITON, Flexible	RT-1312	N/A		
-25	Elastomer, Fluid Resistant	RT-1325	/42;/86	S-1017;S-1048	Adhesive

*VITON is a registered Trademark of Dupont

ORDERING INFORMATION

422A414 -XX -XX /XXX

Base part number _____
Material dash number _____
(See Compatibility Chart)
Modification number _____
(If necessary, see front of scd binder for a complete list)
Adhesive slash number _____
(If necessary, see Compatibility Chart)

THIS DRAWING IS SUBJECT TO CHANGE WITHOUT NOTICE; CONSULT YOUR NEAREST FIELD REPRESENTATIVE FOR CURRENT REVISION

tyco/Electronics/Raychem

TYCO ELECTRONICS
307 CONSTITUTION DRIVE
MENLO PARK, CALIFORNIA 94025

Revision : F
Date : 2/19/02

Part Number : 422A414
Description : Transition, Two 90° Side Breakout