

ORDERING CODE: M R D - A P 0 X - C A P - X X 0

SERIES _____

CONNECTOR SIZE & MECHANISM
A = 12mm SIZE WITH LATCH LOCK

HOUSING ORIENTATION & CONTACT TYPE
P = MALE PLASTIC HOUSING & PIN CONTACTS

NUMBER OF CONTACTS _____
02 TO 08 = TWO TO EIGHT CONTACTS

CONTACT TERMINATION TYPE _____
C = CABLE ASSY

CABLE ASSEMBLY TYPE _____
A = CONNECTOR AT ONE END ONLY

CABLE OPTION _____
P = STANDARD CABLE PVC JACKET

SPECIALS
0 = STANDARD

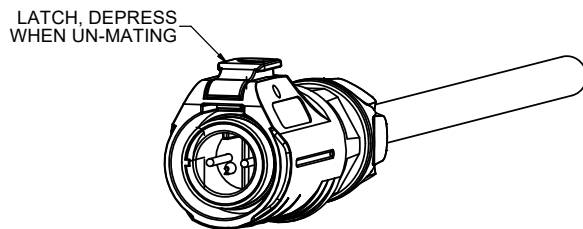
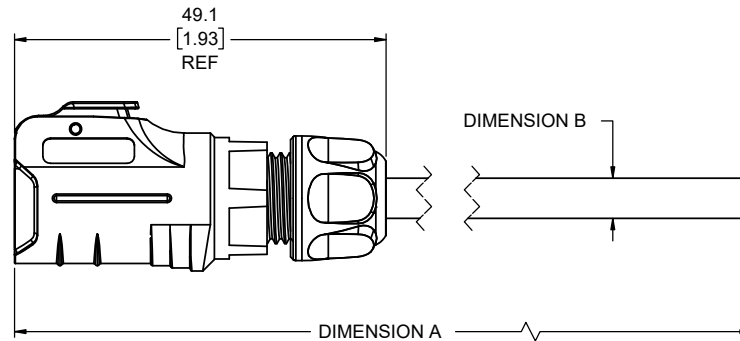
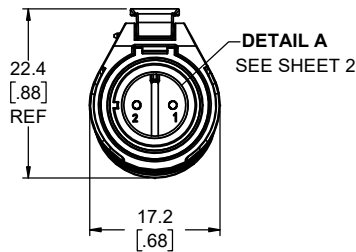
CABLE LENGTH (DIMENSION 'A')	
	LENGTH IN CM
20 TO 99	
A0 TO A9	1 METER + 0 TO 9 DECIMETERS
B0 TO B9	2 METERS + 0 TO 9 DECIMETERS
C0 TO C9	3 METERS + 0 TO 9 DECIMETERS
D0 TO D9	4 METERS + 0 TO 9 DECIMETERS
E0 TO E9	5 METERS + 0 TO 9 DECIMETERS
F0 TO F9	6 METERS + 0 TO 9 DECIMETERS
G0 TO G9	7 METERS + 0 TO 9 DECIMETERS
H0 TO H9	8 METERS + 0 TO 9 DECIMETERS
J0 TO J9	9 METERS + 0 TO 9 DECIMETERS
K0 TO K9	10 METERS + 0 TO 9 METERS
L0 TO L9	20 METERS + 0 TO 9 METERS
M0 TO M9	30 METERS + 0 TO 9 DECAMETERS

CABLE LENGTH ORDERING CODE EXAMPLES:
75cm = 75 6.3m = F3 25m = L5 80m = M5

REVISIONS			
REV	DESCRIPTION, ECN, EAR NO.	DATE	APP'D
A	PRODUCT DRAWING (EAR 15057)	FEB2/22	K.L.
B	PRODUCT DRAWING (EAR 15057)	FEB14/22	K.L.

NOTES:

- ALL MATERIALS TO BE RoHS COMPLIANT PER EU DIRECTIVE 2011/65/EU AND AMENDMENTS.
MRD CONNECTOR
 - HOUSINGS & END CAP: THERMOPLASTIC PBT, UL FLAMMABILITY RATING 94V-0, OUTDOOR RATING F1, BLACK
 - CONTACTS: COPPER ALLOY PLATED WITH GOLD OVER NICKEL
 - GROMMET & O-RINGS: SILICONE RUBBER
 - LATCH: ZINC ALLOY, CHROME PLATED
 CABLE: PER UL AWM 2464, 300V, VW-1, STRANDED COPPER CONDUCTORS WITH PVC INSULATION, BLACK PVC JACKET
- ENVIRONMENTAL PROTECTION: IP67 PER IEC 60529 IN MATED CONDITION.
- OPERATING TEMPERATURE: -40°C TO +80°C
- SEE TABLE ON SHEET 2 FOR ADDITIONAL CHARACTERISTICS.
- FOR CABLE ASSEMBLY PIN-OUT, SEE WIRE COLOUR CHART ON SHEET 2.
- MRD CONNECTORS IN THIS CABLE ASSEMBLY WILL MATE WITH FEMALE CONNECTORS WITH SOCKET CONTACTS PER DRAWINGS P-MRD-AH0X-L13-000 OR P-MRD-AX0X-M15-000.



MALE CONNECTOR WITH PIN CONTACTS
(CONNECTOR AT ONE END ONLY)



THIS DOCUMENT CONTAINS PROPRIETARY INFORMATION AND SUCH INFORMATION MAY NOT BE DISCLOSED TO OTHERS FOR ANY PURPOSE OR USED FOR MANUFACTURING PURPOSES WITHOUT WRITTEN PERMISSION FROM AMPHENOL CANADA CORP.

UNLESS SPECIFIED OTHERWISE	DRAWN	A.NONG	JAN26/22
PRIMARY UNITS MILLIMETERS	CHECKED		
SECONDARY INCHES	M.E. APP'D		
REFERENCE IN PARENTHESES	Q.A. APP'D		
GENERAL TOLERANCES	DWG APPR.	K.LAMBIE	FEB2/22
1 DECIMAL PLACE	ENG. REL. NO.		
2 DECIMAL PLACES	REF.	EAR 15057	
3 DECIMAL PLACES	THIRD ANGLE PROJECTION		
ANGULAR DEGREES	DO NOT SCALE DRAWING		

Amphenol Canada Corp. Commercial Products	
MRD SERIES CABLE ASSEMBLY, MALE CONNECTOR WITH PLASTIC HOUSING & PIN CONTACTS AT ONE END, 2-8 POSITIONS, RoHS COMPLIANT	
DWG. NO.	REV
P-MRD-AP0X-CAP-XX0	B
CODE ID NO. 03554	DWG SIZE: X
SCALE: 2:1	SHEET 1 OF 2

REVISIONS			
REV	DESCRIPTION, ECN, EAR NO.	DATE	APP'D
A	PRODUCT DRAWING (EAR 15057)	FEB2/22	K.L.
B	PRODUCT DRAWING (EAR 15057)	FEB14/22	K.L.

END VIEWS FOR CONTACT MATING AREA

DETAIL A VIEW (SCALE 4:1)							
NUMBER OF CONTACTS	2	3	4	5	6	7	8

WIRE COLOUR CHART

CONTACT POSITION NUMBER	WIRE INSULATION COLOUR
1	BLACK
2	BROWN
3	RED
4	ORANGE
5	YELLOW
6	GREEN
7	BLUE
8	WHITE

CABLE ASSEMBLY CHARACTERISTICS

CABLE ASSEMBLY PART NUMBER	DIMENSION B	CABLE CONDUCTOR SIZE	CURRENT RATING	VOLTAGE RATING	DIELECTRIC WITHSTANDING VOLTAGE
MRD-AP02-CAP-XX0	5.0 [.20]	20 AWG	5A	125 VAC	1500 VDC
MRD-AP03-CAP-XX0	5.2 [.20]	20 AWG			
MRD-AP04-CAP-XX0	5.6 [.22]	20 AWG			
MRD-AP05-CAP-XX0	6.0 [.24]	20 AWG			
MRD-AP06-CAP-XX0	6.0 [.24]	20 AWG			
MRD-AP07-CAP-XX0	5.8 [.23]	22 AWG	3A	100 VAC	
MRD-AP08-CAP-XX0	6.0 [.24]	22 AWG			



UNLESS SPECIFIED OTHERWISE	DRAWN	A.NONG	JAN26/22
PRIMARY UNITS MILLIMETERS	CHECKED		
SECONDARY INCHES	M.E. APP'D		
REFERENCE IN PARENTHESES	Q.A. APP'D		
GENERAL TOLERANCES	DWG APPR.	K.LAMBIE	FEB2/22
1 DECIMAL PLACE	ENG. REL. NO.		
2 DECIMAL PLACES	REF.	EAR 15057	
3 DECIMAL PLACES	THIRD ANGLE PROJECTION		DO NOT SCALE DRAWING
ANGULAR DEGREES			

Amphenol Canada Corp.
Commercial Products

MRD SERIES CABLE ASSEMBLY, MALE CONNECTOR WITH PLASTIC HOUSING & PIN CONTACTS AT ONE END, 2-8 POSITIONS, RoHS COMPLIANT

DWG. NO. **P-MRD-AP0X-CAP-XX0** REV **B**

CODE ID NO. 03554 | DWG SIZE: X | SCALE: 2:1 | SHEET 2 OF 2