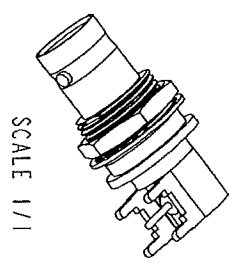
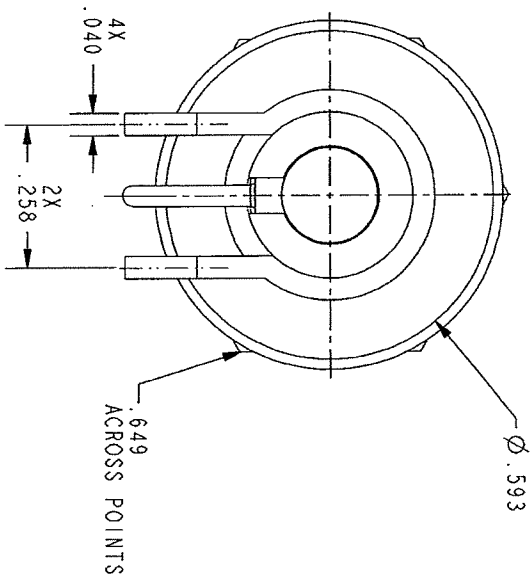
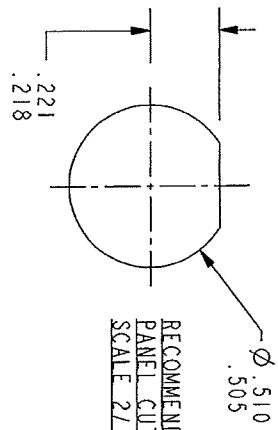
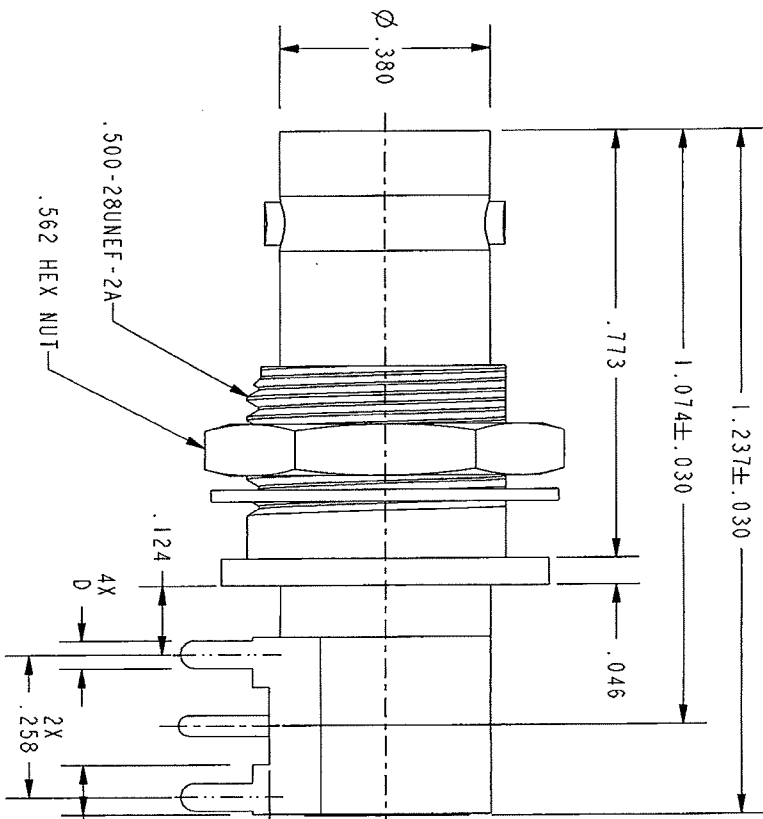
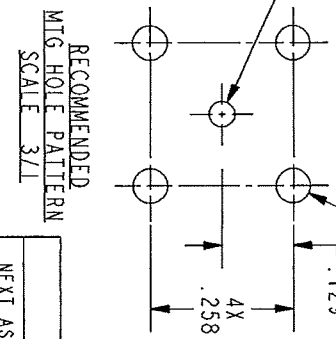


DASH NUMBER	MODEL NUMBER	LETTER CODE	IMPD Ω	A DIA	B DIM	C DIM	D DIM	E DIA
-1	CBBJR29		50	.046				
-2	UCBBJR29		75	.029	.24	.090	.050	.0625
-3	CBBJR29A		50	.046				
-4	UCBBJR29A	A	75	.029	.34	.090	.058	.070



REVISIONS		DATE	APPROVED
REV	DESCRIPTIONS		
6	REVISED PER ECO 16629	7-18-08	<i>D. Ramo</i>

1. MAXIMUM PANEL THICKNESS .179
2. EXAMPLE OF COMPLETE MODEL NUMBER:
CBBJR29 A
BASIC MODEL NUMBER LETTER CODE
3. FINISH: TFS-1A (NICKEL)
4. 50 & 75 Ω RIGHT ANGLE CIRCUIT BOARD AND BULKHEAD MOUNTING BNC RECEPTACLE



RED INDICATES ORIGINAL



INTERPRET DRAWING PER MIL-STD-100. DIMENSIONS ARE IN INCHES AND INCLUDE FINISH THICKNESS UNLESS OTHERWISE SPECIFIED.	TO: UNLESS SPECIFIED, .XX \pm .02 .XXX \pm .010 ANGLE \pm 1°
DRN: N. JOHNSON DATE: 5-19-08 TITLE: U/CBBJR29	MATERIAL:
FINISH:	SCALE: 3/1
SIZE: A CAGE CODE: 14949 DRAWING NO.: 1-0052 DATE: 8-10-99 SHEET: 1C	DO NOT SCALE DIMS

NOTES: UNLESS OTHERWISE SPECIFIED.