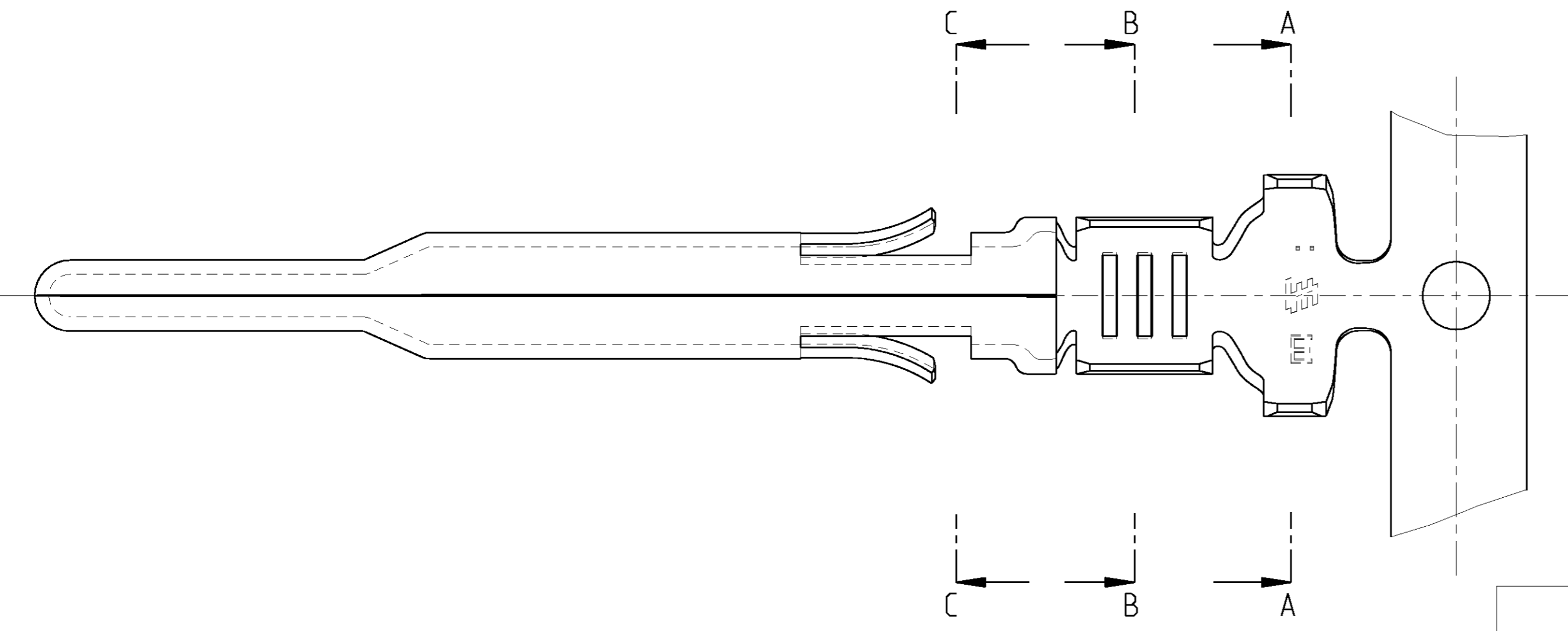
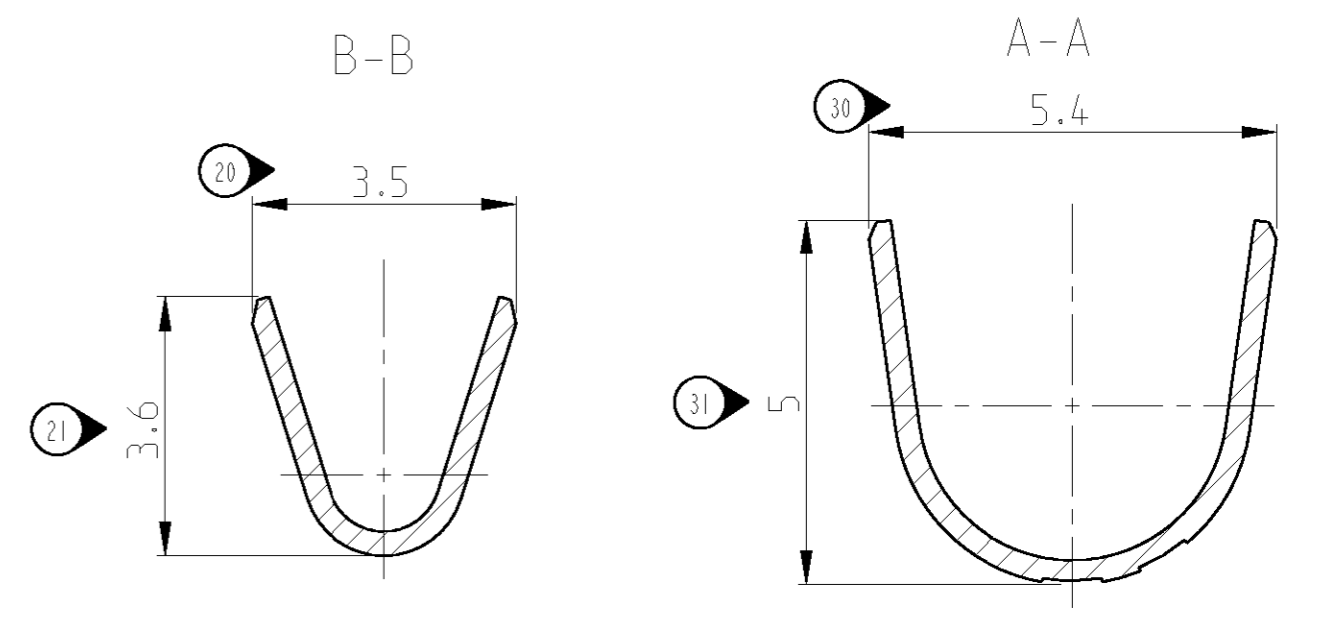
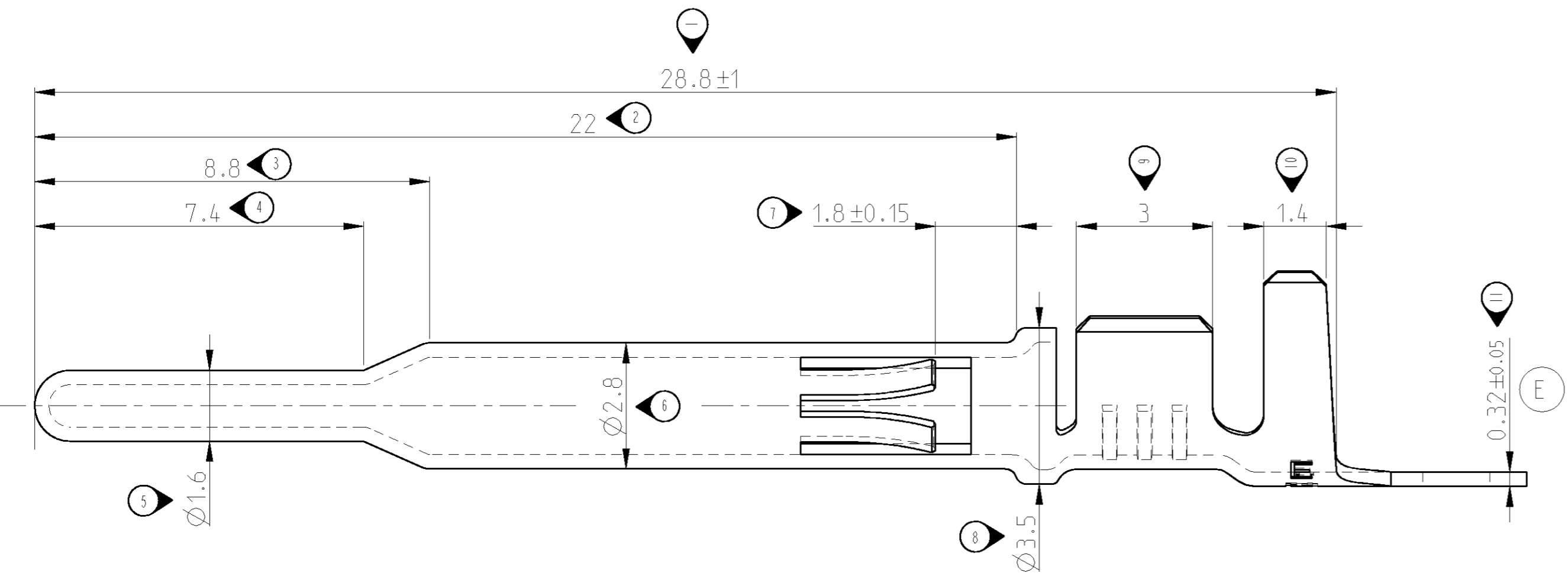
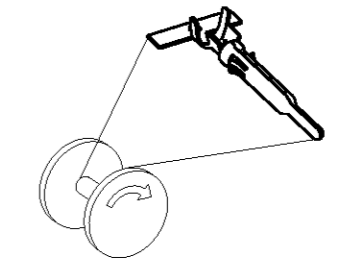


THIS DRAWING IS UNPUBLISHED. RELEASED FOR PUBLICATION 2007  
 © COPYRIGHT 2007 BY TYCO ELECTRONICS CORPORATION. ALL RIGHTS RESERVED.

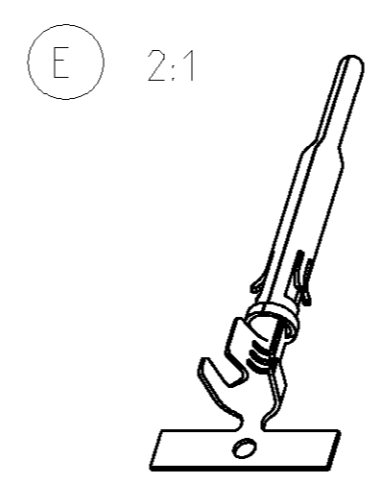
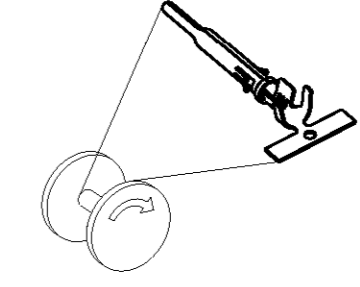
LOC	DIST	REVISIONS			
P	LTR	DESCRIPTION	DATE	DWN	APVD
	E	SEE ECR-07-011920	15JUN2007	TK	RVL



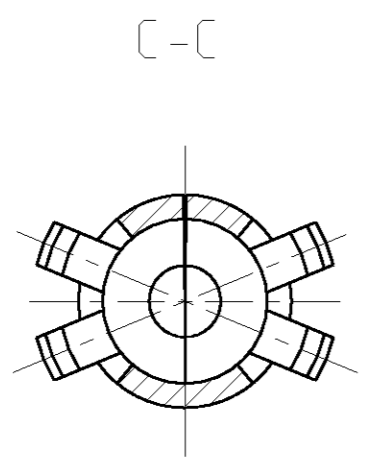
(E) REELING, DIRECTION OFF THE REEL



(E) REELING, DIRECTION OFF THE REEL



Ø2.4-3.7	1.0-2.5	PRETINNED	CuZn30 R500	925628-1	E	2	925626-6
		PRETINNED	CuSn4 R520	925628-2	E	2	925626-5
		PRESILVERED	CuSn4 R520	-	E	1	925626-3
		PRETINNED	CuSn4 R520	925628-2	E	1	925626-2
		PRETINNED	CuZn30 R500	925628-1	E	1	925626-1
INSULATION RANGE Isolations- durchmesser	WIRE RANGE DGB [mm <sup>2</sup> ]	FINISH Oberfläche	MATERIAL	TYCO ORDER No. LOOSE PIECE Einzelauflöhrung	REV		TYCO ORDER No. STRIP FORM Bandware



THIS DRAWING IS A CONTROLLED DOCUMENT FOR TYCO ELECTRONICS CORPORATION IT IS SUBJECT TO CHANGE AND THE CONTROLLING ENGINEERING ORGANIZATION SHOULD BE CONTACTED FOR THE LATEST REVISION.		DWN T.Konecny 05JUN2007 CHK J.Skoda 12JUN2007 APVD R.Vitek 14JUN2007	Tyco Electronics Czech s.r.o. CZ - K AMP 1293, 664 34 Kurim	
DIMENSIONS: mm		TOLERANCES UNLESS OTHERWISE SPECIFIED: 1 PLC ±0.4 2 PLC ±0.4 3 PLC ±0.4 ANGLE ±1° FINISH		NAME CIC PIN CONTACT CIC Stiff
MATERIAL SEE TABLE		SEE TABLE		SIZE A2 CAGE CODE 00779 DRAWING NO. G-925626 RESTRICTED TO -
CUSTOMER DRAWING		SCALE 10:1		SHEET 1 OF 1 REV E