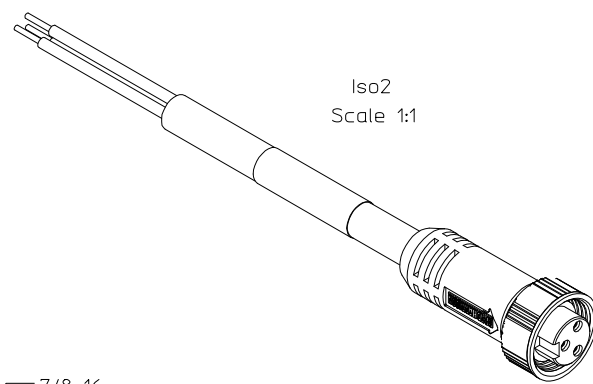
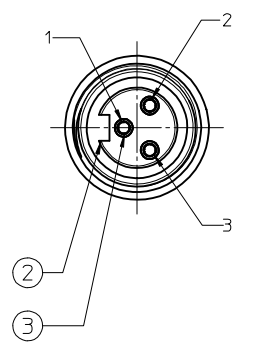
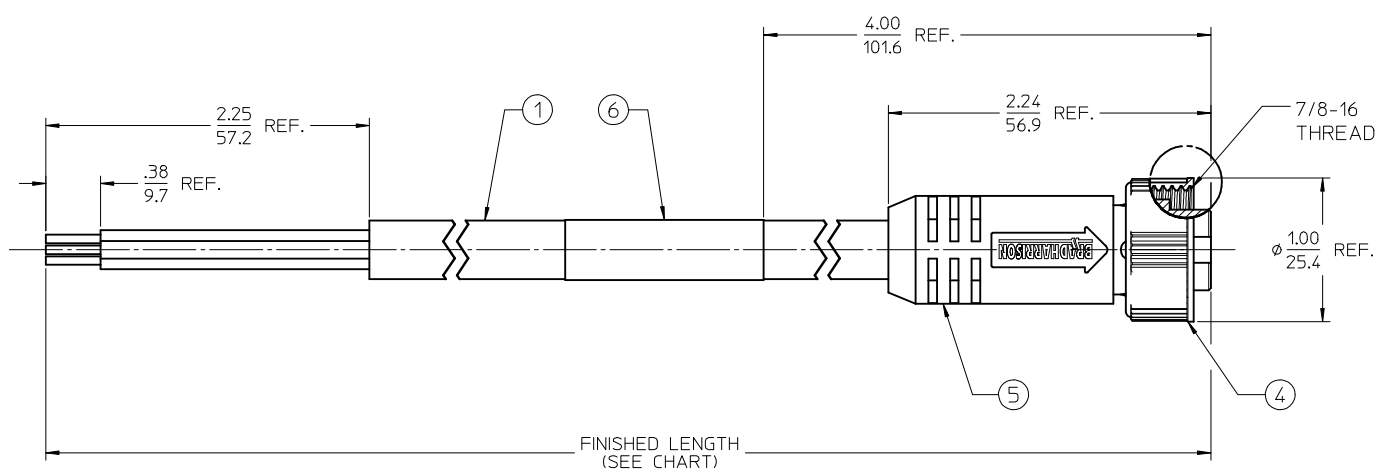


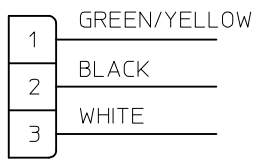
MATERIAL NO.	ENGINEERING NO.	FINISHED LENGTH
1300060219	103000A01F0302	3.00 FT +1.75/-0 IN (9M +44.5/-0mm)
1300060223	103000A01F0602	6.00 FT +3.50/-0 IN (1.8M +88.9/-0mm)
1300060234	103000A01F1202	12.00 FT +6.50/-0 IN (3.7M +165.1/-0mm)
1300060239	103000A01F1502	15.00 FT +6.50/-0 IN (4.6M +165.1/-0mm)
1300060243	103000A01F2002	20.00 FT +6.50/-0 IN (6.1M +165.1/-0mm)
1300060248	103000A01F2502	25.00 FT +12.50/-0 IN (7.6M +317.5/-0mm)



Iso2
Scale 1:1



FEMALE FACE VIEW



WIRING DIAGRAM

NOTES:

1. MATERIAL: SEE TABLE
2. FINISHES: SEE TABLE
3. ELECTRICAL SPECIFICATIONS
VOLTAGE RATING: 600V AC/DC
CURRENT RATING: 13 AMPS
4. PROTECTION: IP67
5. ASSEMBLY IS RoHS COMPLIANT BY EXEMPTION

ITEM	QTY.	DESCRIPTION	MATERIAL	FINISH
6	1	WRAP LABEL	VINYL	BLACK/YELLOW
5	1	OVERMOLD	PVC	YELLOW
4	1	COUPLING NUT	NYLON	GRAY
3	3	CONTACT SOCKET	Cu ALLOY	GOLD PLATED
2	1	INSERT	PVC	YELLOW
1	A/R	CABLE, 16/3, ST00W	PVC JACKET	YELLOW

NEW SALES DOC EC NO: IPG2013-0795 DRAWN BY: DRWINRSTONE 2012/11/28 CHKD BY: JOZWIK 2013/01/16 APPR: JFMURPHY 2013/03/01	QUALITY SYMBOLS	GENERAL TOLERANCES (UNLESS SPECIFIED)	DIMENSION STYLE	SCALE	DESIGN UNITS	THIRD ANGLE PROJECTION																		
	$\nabla=0$ $\nabla=0$	<table border="1"> <thead> <tr> <th></th> <th>mm</th> <th>INCH</th> </tr> </thead> <tbody> <tr> <td>4 PLACES</td> <td>± .005</td> <td>± .0005</td> </tr> <tr> <td>3 PLACES</td> <td>± .005</td> <td>± .0005</td> </tr> <tr> <td>2 PLACES</td> <td>± .005</td> <td>± .001</td> </tr> <tr> <td>1 PLACE</td> <td>± 0.3</td> <td>± .010</td> </tr> <tr> <td>0 PLACE</td> <td>± .005</td> <td>± .0005</td> </tr> </tbody> </table>		mm	INCH	4 PLACES	± .005	± .0005	3 PLACES	± .005	± .0005	2 PLACES	± .005	± .001	1 PLACE	± 0.3	± .010	0 PLACE	± .005	± .0005	IN/MM	1.5:1	INCH	
		mm	INCH																					
	4 PLACES	± .005	± .0005																					
3 PLACES	± .005	± .0005																						
2 PLACES	± .005	± .001																						
1 PLACE	± 0.3	± .010																						
0 PLACE	± .005	± .0005																						
DRAWN BY: RSTONE 2012/11/28 CHECKED BY: K. JOZWIK 2013/01/16 APPROVED BY: JFMURPHY 2013/03/01	MATERIAL NO. SEE CHART	TITLE MC FEMALE CABLE ASSEMBLY 3 POLE, 16 AWG, ST00W NON-METALIC COUPLING 	DOCUMENT NO. SD-130006-047	SHEET NO. 1 OF 1																				
DRAFT WHERE APPLICABLE MUST REMAIN WITHIN DIMENSIONS	ANGULAR ± 2°	SIZE 	THIS DRAWING CONTAINS INFORMATION THAT IS PROPRIETARY TO MOLEX INCORPORATED AND SHOULD NOT BE USED WITHOUT WRITTEN PERMISSION																					