

RoHS COMPLIANT BY EXEMPTION

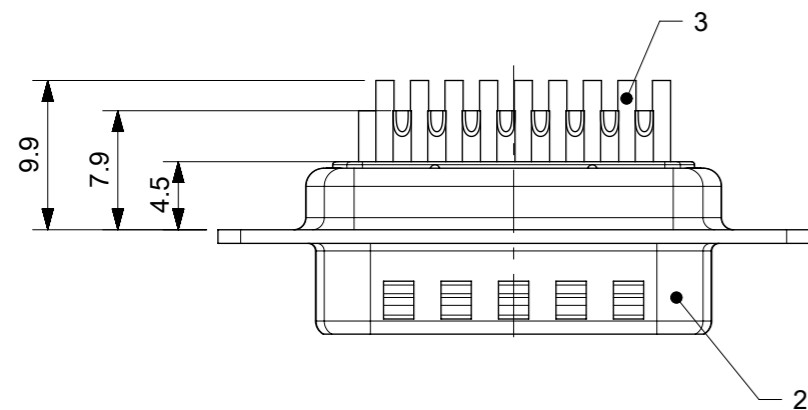


TABLE FOR PART NUMBERS

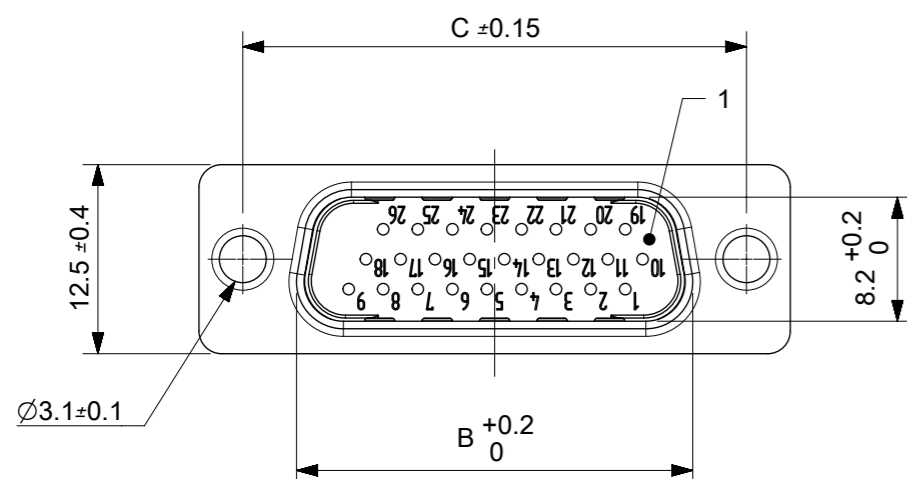
MOLEX PART#	FCT PART#	X-X	A [mm]	B [mm]	C [mm]	NO. OF CONTACTS 1./2./3. ROW	FORMERLY PART NO
1731130147	F09-15POG0-0008	09-15	30.8	16.9	25	5/5/5	CT09-15P-2045
1731130148	F15-26POG0-0008	15-26	39.1	25.2	33.3	9/9/8	CT15-26P-2045
1731130149	F25-44POG0-0008	25-44	53	38.9	47.04	15/15/14	CT25-44P-2045

TABLE FOR GENERAL TOLERANCES

PERMISSIBLE DEVIATIONS FOR BASIC SIZE RANGE				
0.5 UPTO	OVER 3 UPTO	OVER 6 UPTO	OVER 30 UPTO	OVER 120 UPTO
3	6	30	120	400
±0.1	±0.1	±0.2	±0.3	±0.5

X-X NO. OF CONTACTS 09-15, 15-26, 25-44

3	X-X	SIGNAL CONTACT, MACHINED	HP0 / BRASS	AWG 22 / 0.8µm Au
2	1	SHELL	STEEL	TIN PLATED
1	1	INSULATOR	PBT (-55°C-+130°C)	BLACK
NO.	St.	PART	TYPE DESCRIPTION/MATERIAL	SURFACE PLATING/COLOUR/CLASS



THIS DRAWING CONTAINS INFORMATION THAT IS PROPRIETARY TO MOLEX ELECTRONIC TECHNOLOGIES, LLC AND SHOULD NOT BE USED WITHOUT WRITTEN PERMISSION

QUALITY SYMBOLS ▽A = 0 ▽E = 0 ▽F = 0 ▽ = 0 ▽ = 0 ▽ = 0 ▽ = 0 ▽ = 0 ▽ = 0	EC NO: 117803 DRWN: RLALSANGI CHK'D: ISHWARG APPR: ISHWARG	2017/04/13 2017/06/07 2017/06/07	GENERAL TOLERANCES (UNLESS SPECIFIED)		DIMENSION UNITS	SCALE			
			ANGULAR TOL ± °		MM	2:1			
			4 PLACES ±	3 PLACES ±	DRWN BY	DATE			
			2 PLACES ±	1 PLACE ±	RLALSANGI	2017/04/13			
0 PLACES ±		3 PLACES ±	1 PLACE ±	CHK'D BY	DATE	PRODUCT CUSTOMER DRAWING			
DRAFT WHERE APPLICABLE MUST REMAIN WITHIN DIMENSIONS		2 PLACES ±	1 PLACE ±	ISHWARG	2017/06/07	SERIES	MATERIAL NUMBER	CUSTOMER	
		1 PLACE ±	0 PLACES ±	ISHWARG	2017/06/07	173113	SEE TABLE	GENERAL MARKET	
		0 PLACES ±		APPR BY	DATE	DOCUMENT NUMBER	DOC TYPE	DOC PART	SHEET NUMBER
				ISHWARG	2017/06/07	1731130147	PSD	000	1 OF 1
				DRAWING SIZE	THIRD ANGLE PROJECTION				
				A3					