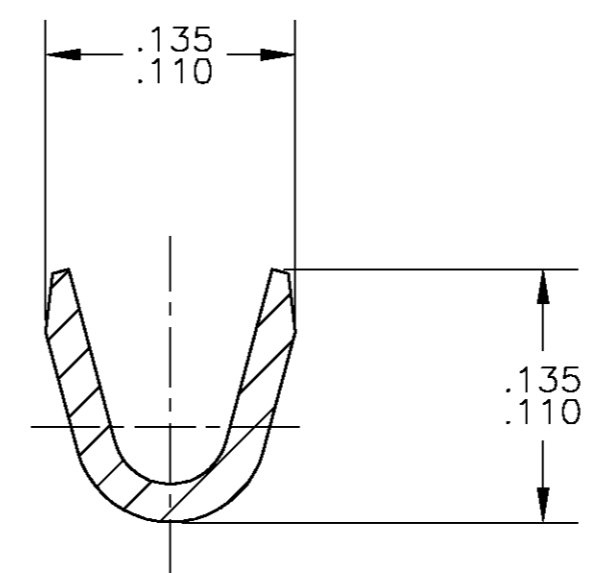
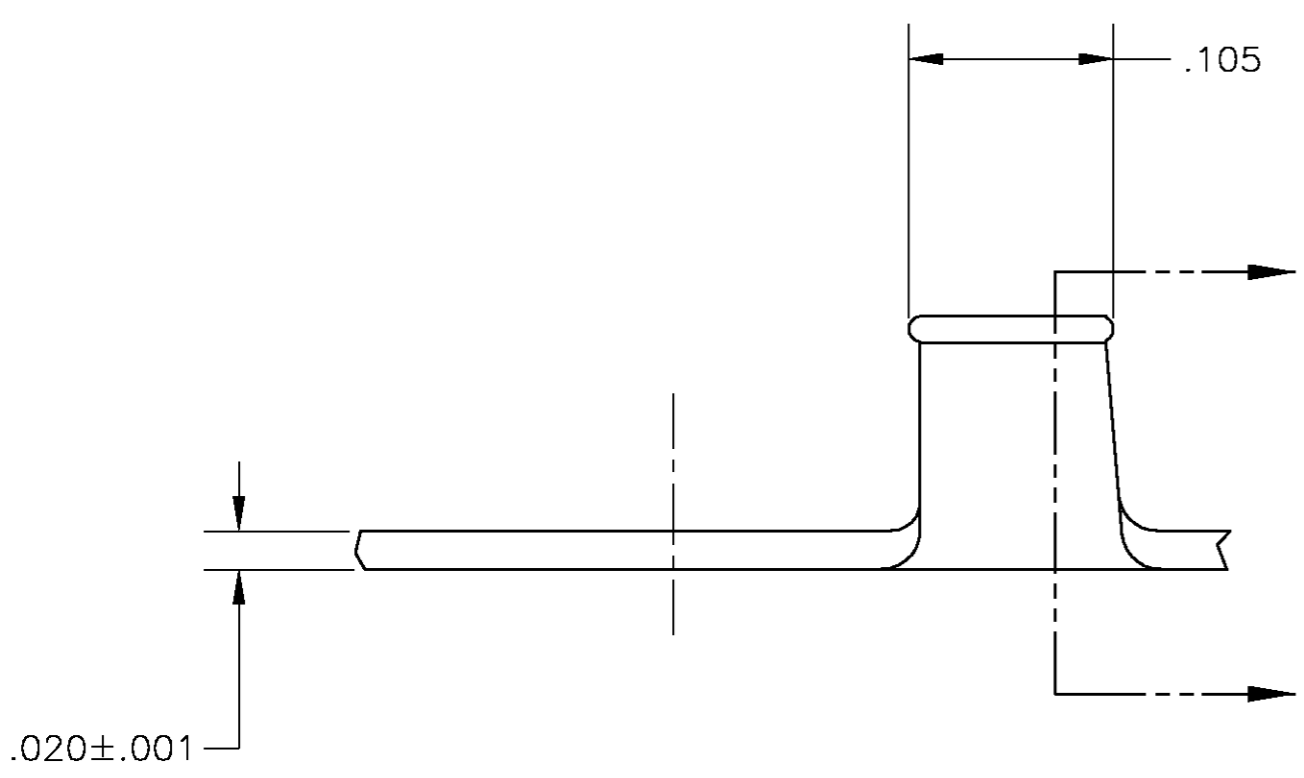
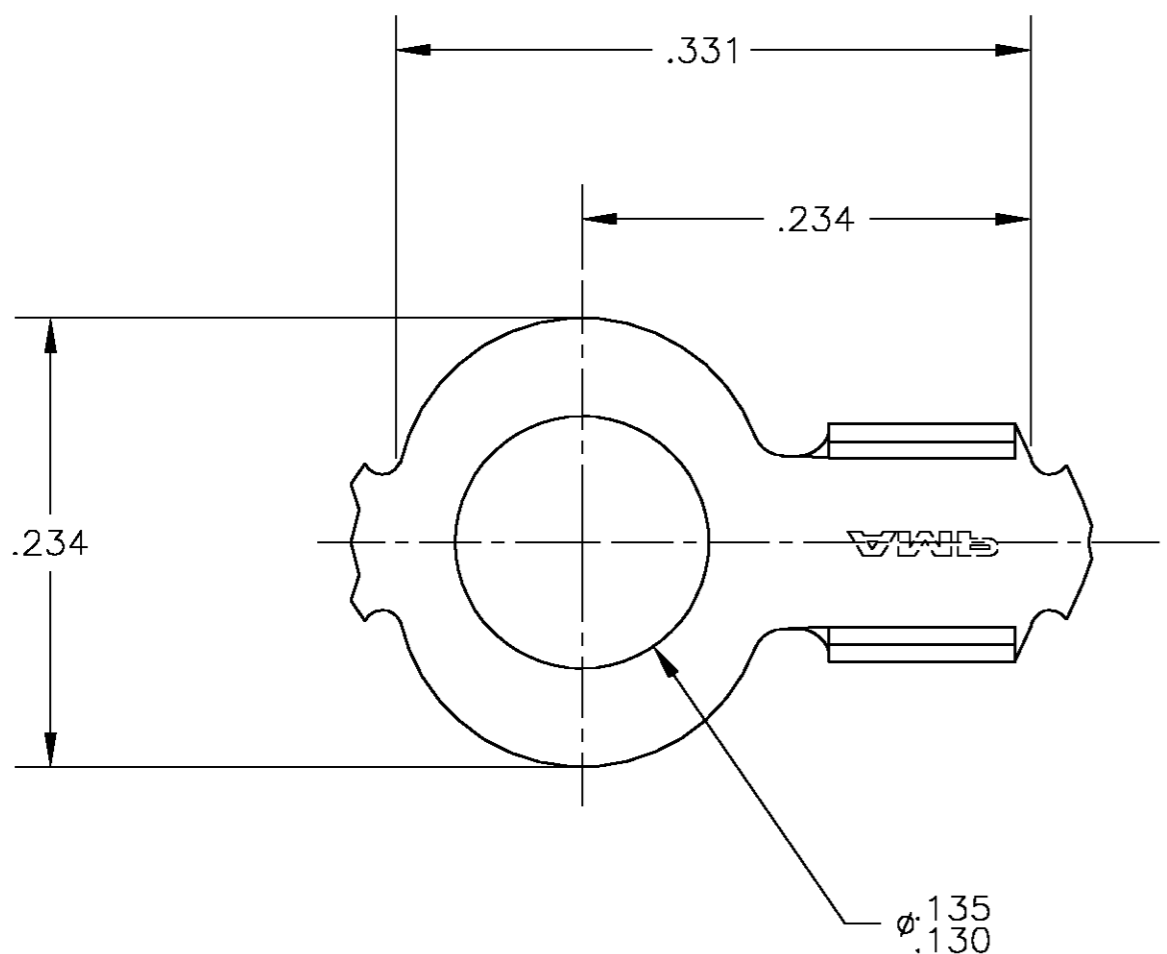


THIS DRAWING IS UNPUBLISHED. RELEASED FOR PUBLICATION
 © COPYRIGHT BY TYCO ELECTRONICS CORPORATION. ALL RIGHTS RESERVED.

LOC		DIST		REVISIONS			
P	LTR	DESCRIPTION		DATE	DWN	APVD	
AF	50	G		REDRAWN PER OG3A-XXXX-03	17JUN03	MF DD	

- 1 CONTINUOUS STRIP ON REELS.
- 2 WIRE RANGE: #20-#16 AWG.



34578
 PART NUMBER

THIS DRAWING IS A CONTROLLED DOCUMENT.		DWN MICHAEL S. FEHER 17JUN2003	Tyco Electronics Corporation Harrisburg, PA 17105-3608	
DIMENSIONS: INCHES		CHK DONALD F. DECKER 17JUN2003	NAME TERMINAL, RING	
TOLERANCES UNLESS OTHERWISE SPECIFIED:		APVD DONALD F. DECKER 17JUN2003	SIZE A2	
0 PLC ± -		PRODUCT SPEC	CAGE CODE 00779	DRAWING NO C=34578
1 PLC ± -		APPLICATION SPEC	RESTRICTED TO	
2 PLC ± -		WEIGHT	-	
3 PLC ± .010		CUSTOMER DRAWING	SCALE 10:1	SHEET 1 OF 1
4 PLC ± -		FINISH	REV G	
ANGLES ± -				
MATERIAL 082 BRASS				