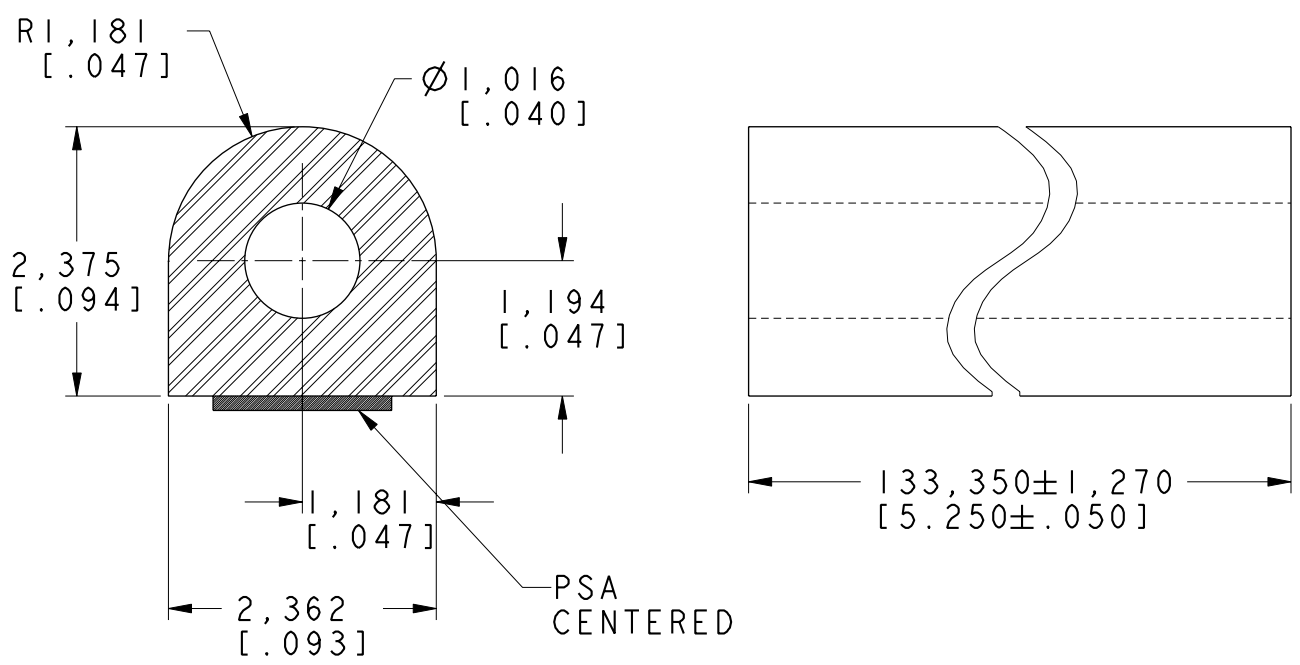

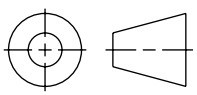


- NOTES:
 1. PACKAGING: PARTS PACKED AND SEALED IN PLASTIC BAGS.
 2. IDENTIFICATION: MARK EACH BAG WITH PART NO. QUANTITY, DATE CODE AND LAIRD FED IDENT. NO.



MATERIAL "XX"	TOLERANCES NOT SHOWN		 DELAWARE WATER GAP PENNSYLVANIA	DRAWN BY: SDH	DATE: 10/23/07
ECE 84 SIL/Ag/Ni	DEC 2 PL'S ±	---		CHECKED: EWS	DATE: 10/24/07
	DEC 3 PL'S ±	.127 [.005]		APPROVED: JNS	DATE: 10/24/07
	ANGULAR	± 3°	CUSTOMER LOCKHEED MARTIN		
	THIRD ANGLE PROJECTION		REF. DWG. NO.		
CROSS SECTION AREA: .0064 IN ²	UNITS: MM [INCH]	SCALE: 15:1	DWG. NO. 8566-0191-84		REV 01
CAD MAINTAINED DRAWING. MANUAL CHANGES UNAUTHORIZED. ©			SHEET 1 OF 1		