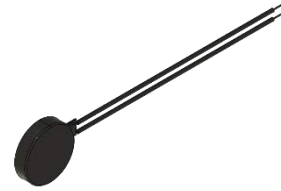




PUIaudio



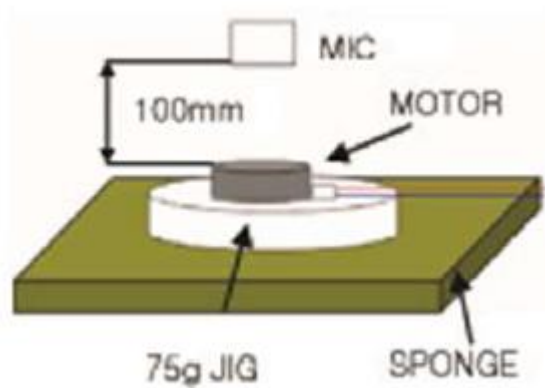
Data Sheet

HD-EM0802-LW15-R

Specifications

Parameters	Values	Units
Rated Voltage	3	VDC
Operating Voltage Range	2.6 ~ 3.6	VDC
Terminal Resistance	1-phase: $32 \pm 20\%$ 2-phase: $60 \pm 20\%$	Ohms
Rated Speed (at 3 VDC)	$12,000 \pm 2,500$	RPMs
Current Draw (at 3 VDC)	85	mA
Acoustic Noise (Max)	50	dBA
Environmental Compliances	RoHS/REACH	-
Weight	1	Grams
Storage Temperature	-30 ~ +70	°C
Operating Temperature	-20 ~ +60	°C

Measurement Methods

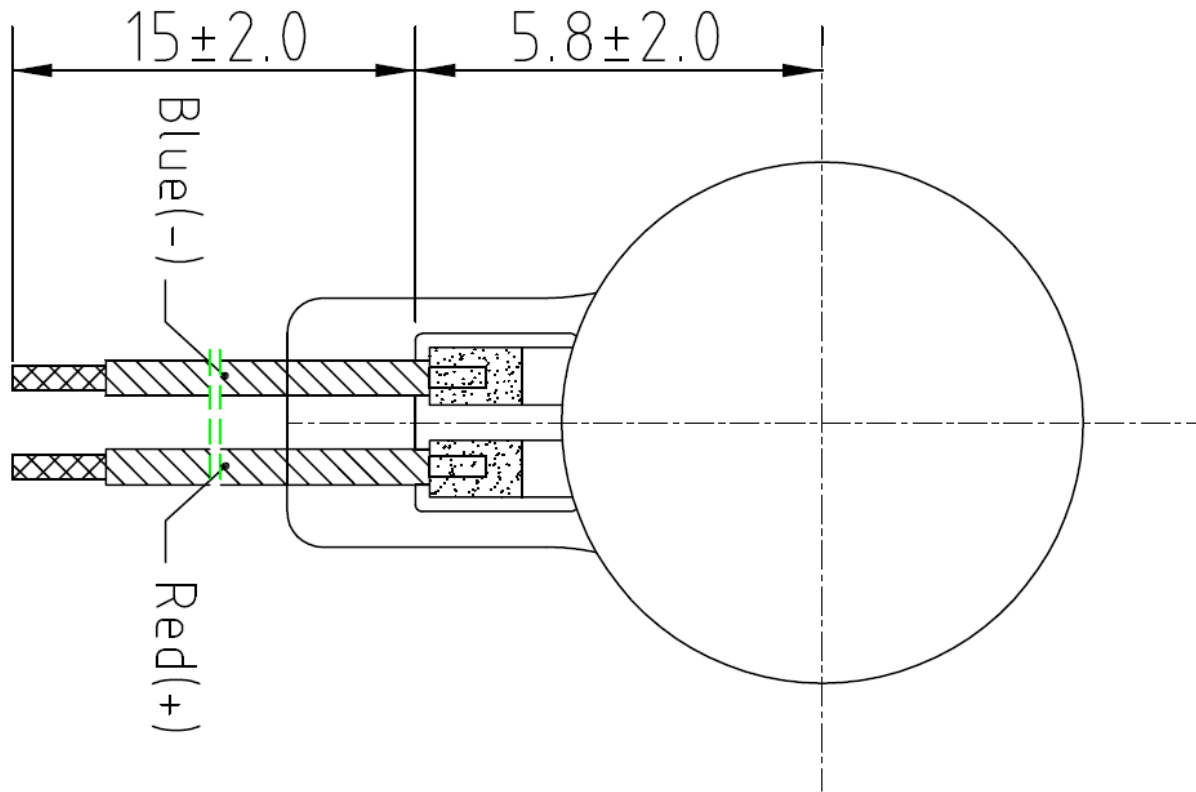


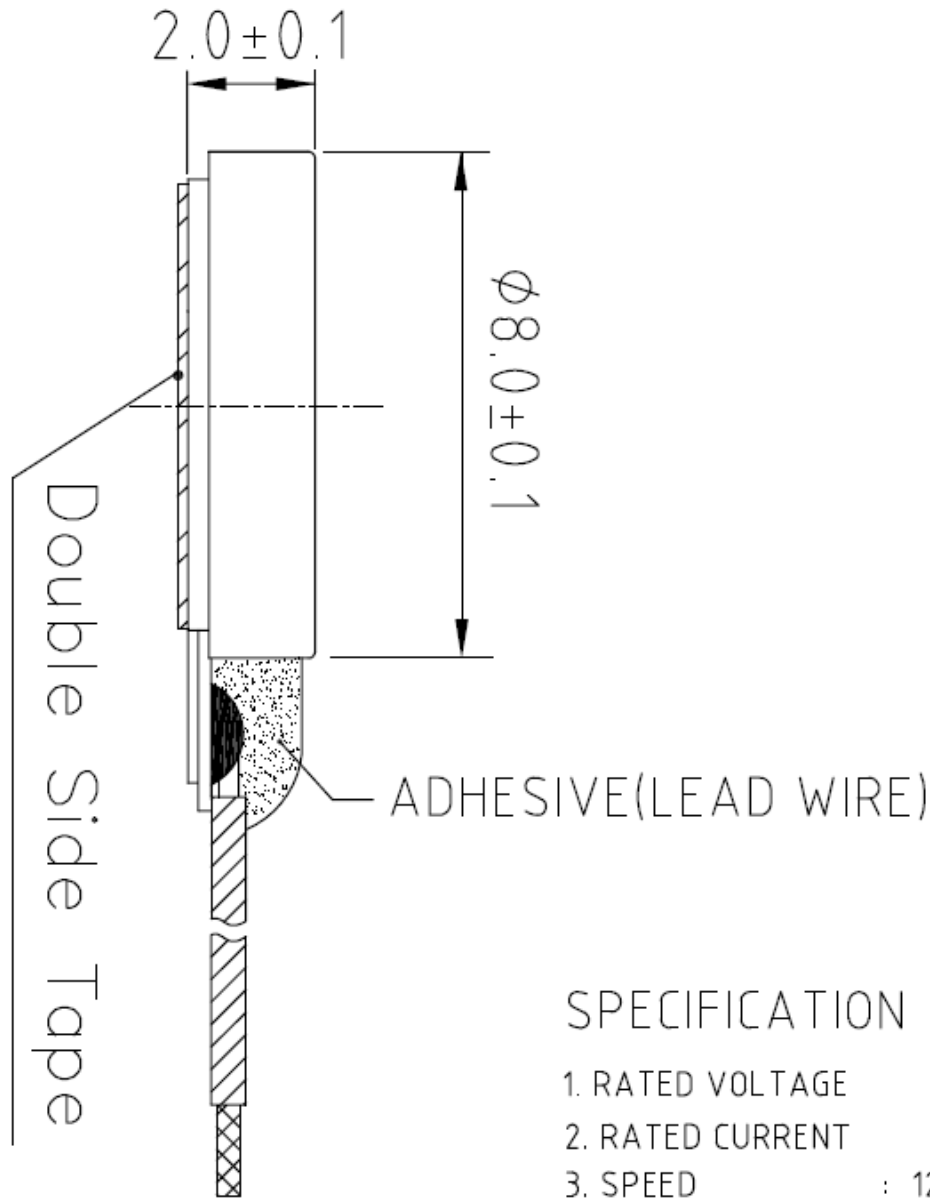
Reliability Testing

Type of Test	Test Specifications
High Temperature Test	72 hours at 70°C
Low Temperature Test	72 hours at -30°C
Humidity Test	72 hours at 40°C, with 95% humidity
Thermal Shock Test	Expose to -20°C/+60°C during 12cycles for each 1 hour and then return to normal temperature and humidity for 12hours before test.
Drop Test	Free-drop 3times for each side from 1.1m above iron plate surface (Total 18 times) at set weight 100g.
Vibration Test	Vibration with 3mm,1000 cpm, X-Y-Z each direction for 10 minutes (Total 30 minutes) at standard packing condition.
Life Cycle Test	Should be satisfied with the evaluation items of table1. After 50,000 cycles as following operating condition. 1cycle test condition: 2sec. On / 2sec. Off

Acceleration, resistance, rated current and noise must meet specifications after allowing the device to rest for 4 hours after test.

Dimensions





SPECIFICATION

1. RATED VOLTAGE : DC 3.0V
2. RATED CURRENT : 85 mA Max
3. SPEED : 12,000±2,500 RPM
4. STARTING VOLTAGE : DC 2.4V Max
5. DIRECTION OF ROTATION : CW, CCW

Specifications Revisions

Revision	Description	Date
A	Released from Engineering	10/29/2021

Note:

1. Unless otherwise specified:
 - A. All dimensions are in millimeters.
 - B. Default tolerances are ±0.5mm and angles are ±3°.
2. Specifications subject to change or withdrawal without notice.