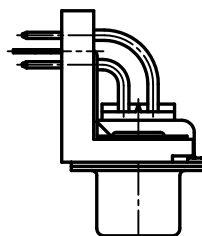
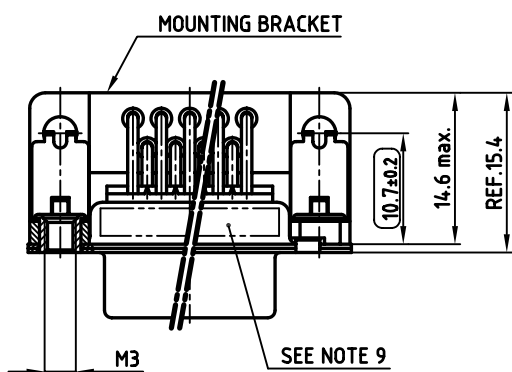
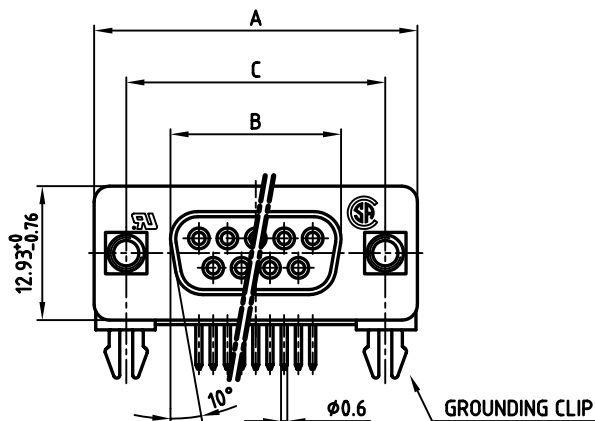
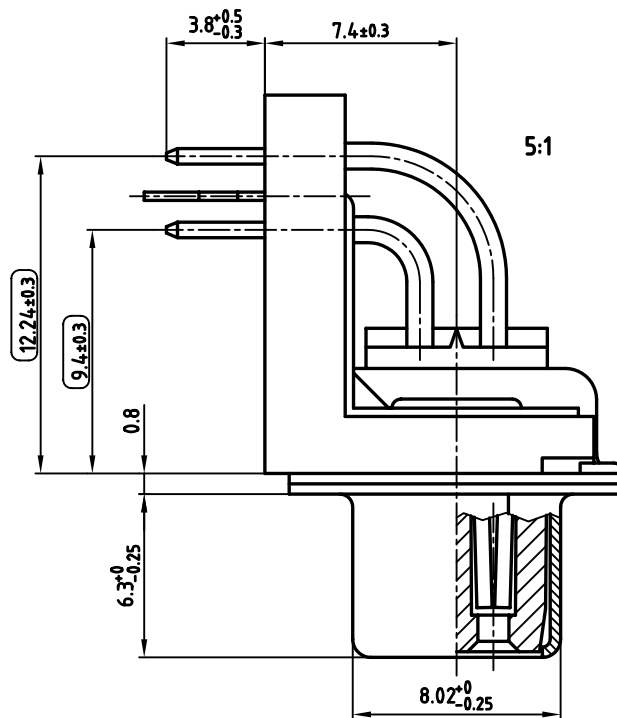


used for: D-SUB



NOTES:

1. METALSHELLS: STEEL; min. 320 μ " TIN
2. INSULATORS: PBT GF UL 94 V-0, BLACK
3. CONTACTS: COPPER ALLOY
PLATING: 8 μ " HARD GOLD OVER min. 50 μ " NICKEL
4. MOUNTING BRACKET: PBT GF UL 94 V-0, BLACK
5. THREADED INSERT: COPPER ALLOY; min. 200 μ " TIN over 80 μ " NICKEL
6. GROUNDING-CLIP: COPPER ALLOY; min. 200 μ " TIN over 80 μ " NICKEL
PCB-HOLE: $\phi 3.1 \pm 0.1$; PCB THICKNESS 1.6mm
7. P.C.B. HOLE DRILLINGS ON SHEET 2
8. MAXIMUM TORQUE VALUE FOR THREAD: 6" LBS
9. CONNECTOR IS PART MARKED: PART-NO. CONEC ABC
10. = CHECK DIMENSION

Directive 2002/95/EC
"RoHS"
Compliant

POS.	A -0.76	B -0.25	C	PART NO.
9	31.19	16.46	25.00 $^{+0.12}_{-0.13}$	164A13009X
15	39.52	24.79	33.30 $^{+0.15}_{-0.10}$	164A13019X
25	53.42	38.50	47.04 ± 0.13	164A13029X
37	69.70	54.96	63.50 ± 0.13	164A13039X

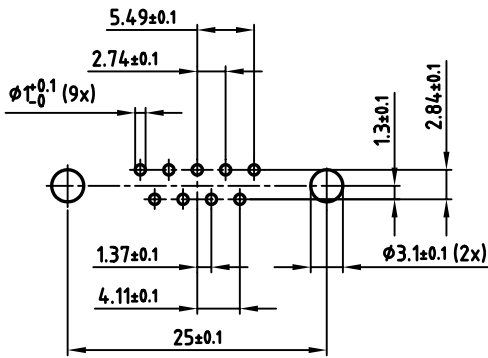
APPROVAL # FREIGABE # DEBLOCAGE # AUTORIZACION # APPROVAL	
CUSTOMER APPROVAL DATE:	
NAME:	TITLE:
COMPANY NAME:	
APPROVAL # FREIGABE # DEBLOCAGE # AUTORIZACION # APPROVAL	

THIS DRAWING MAY NOT BE COPIED OR REPRODUCED IN ANY WAY, AND MAY NOT BE PASSED ON TO A THIRD PARTY, WITHOUT WRITTEN PERMISSION.
OWNERSHIP AND COPYRIGHT OF CONEC GmbH
DO NOT ALTER CAD DRAWING BY HAND

tolerance		dim. in mm	scale: 2:1 (5:1)
material: SEE NOTES			title:
2004	date	name	D-SUB FEMALE 90° 9-37pos. 0.370inch with monting bracket threaded insert and grounding clip
drawn	04.05.	Schmidt	
appd.	04.05.	Mickenbecker	
norm	DIN 41652		
d-old			dwg no: AutoCAD 2004
CONEC			DIN-A 3
rev.	description	date	sh:1/2
part no: SEE TABLE			

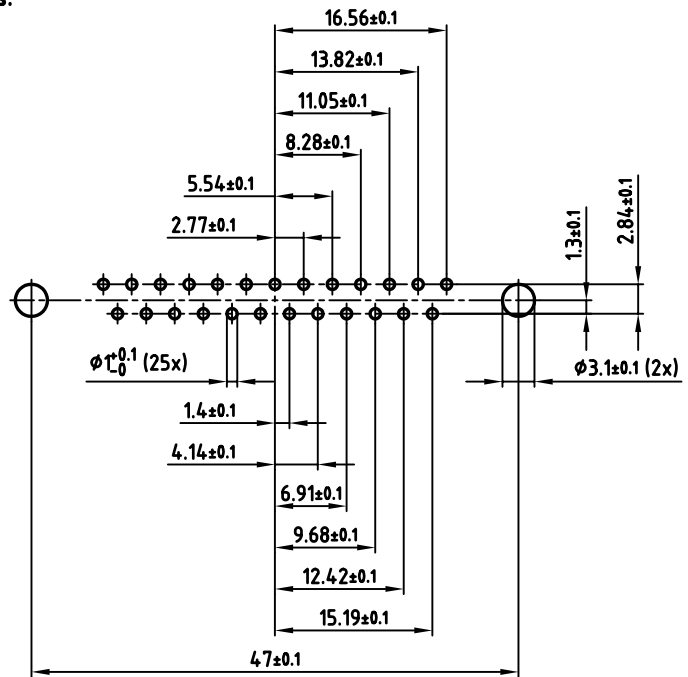
APPROVAL # FREIGABE # DEBLOCAGE # AUTORIZACION # APPROVAL	
CUSTOMER APPROVAL DATE:	
NAME:	TITLE:
COMPANY NAME:	
APPROVAL # FREIGABE # DEBLOCAGE # AUTORIZACION # APPROVAL	

9 pos.

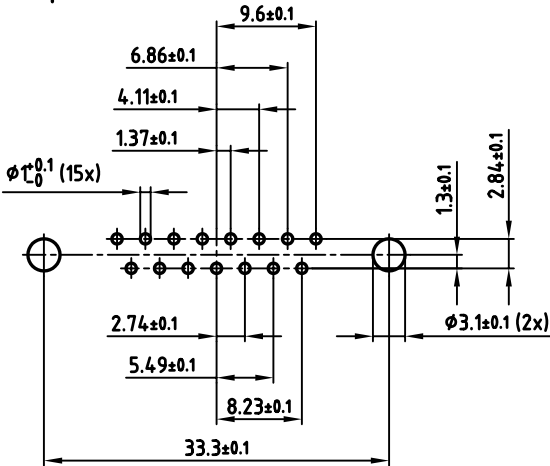


25 pos.

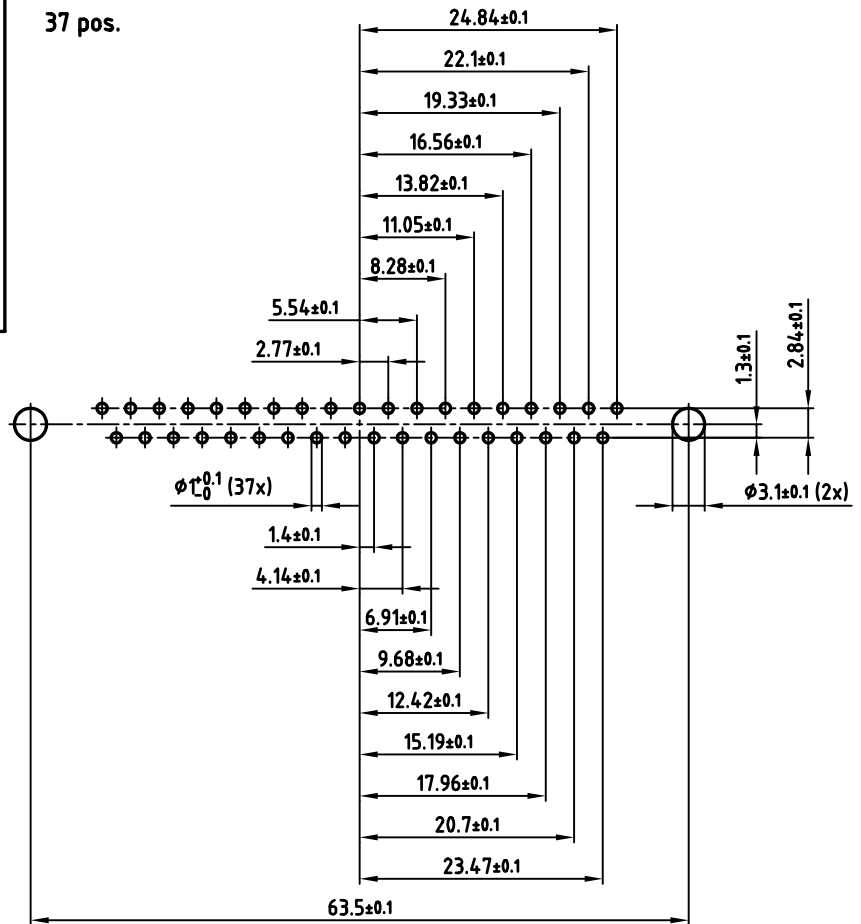
used for: D-SUB



15 pos.



37 pos.



APPROVAL # FREIGABE # DEBLOCAGE # AUTORIZACION # APPROVAL

CUSTOMER APPROVAL DATE:

NAME: TITLE:

COMPANY NAME:

APPROVAL # FREIGABE # DEBLOCAGE # AUTORIZACION # APPROVAL

THIS DRAWING MAY NOT BE COPIED OR REPRODUCED IN ANY WAY, AND MAY NOT BE PASSED ON TO A THIRD PARTY, WITHOUT WRITTEN PERMISSION. OWNERSHIP AND COPYRIGHT OF CONEC GmbH. DO NOT ALTER CAD DRAWING BY HAND

rev.	description	date	name

tolerance		scale:	2:1
	dim. in mm	material:	SEE SHEET 1
2004	date	name	
drawn	04.05.	Schmidt	
appd.	04.05.	Mickenbecker	
norm	DIN 41652		
d-old			
		dwg no:	AutoCAD 2004
			DIN-A
			3
			sh:2/2
		part no:	SEE SHEET 1

title: P.C.B. HOLE DRILLINGS
D-SUB FEMALE 90° 9-37pos. 0.370inch
thread, insert, mounting bracket, grounding clip