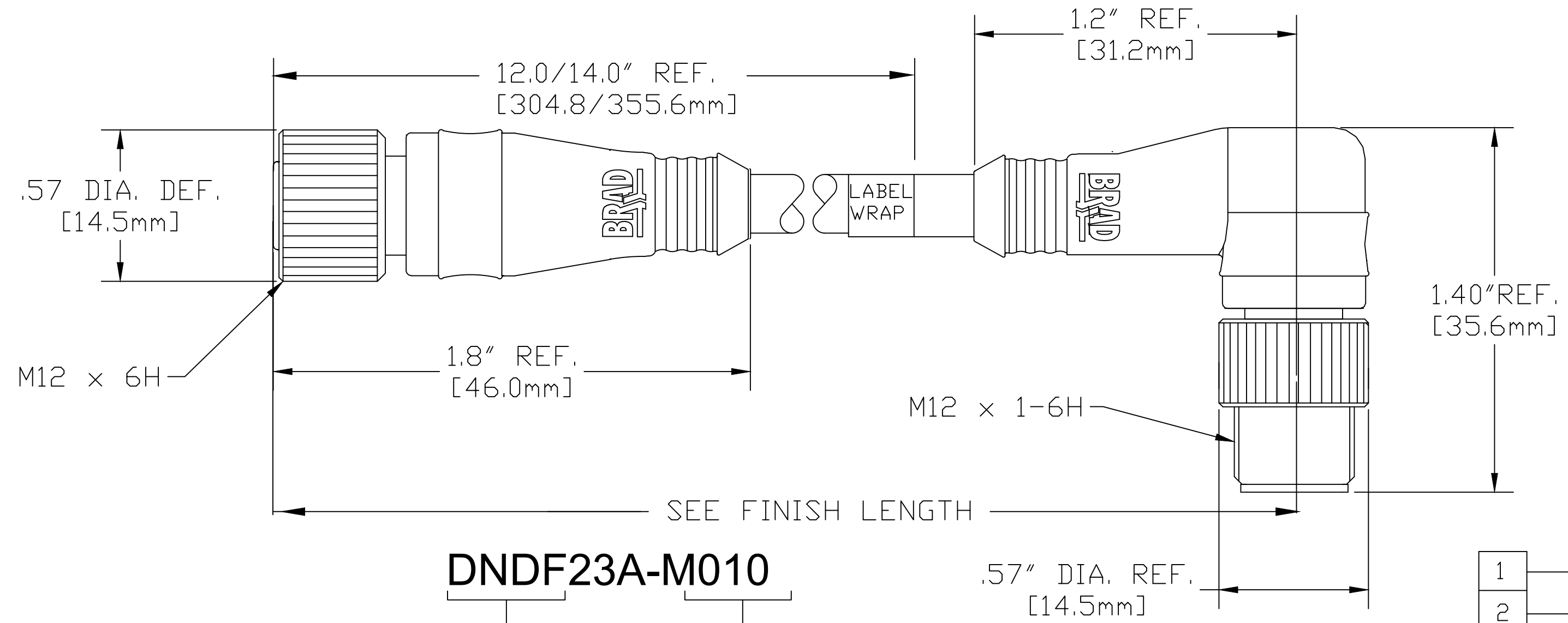


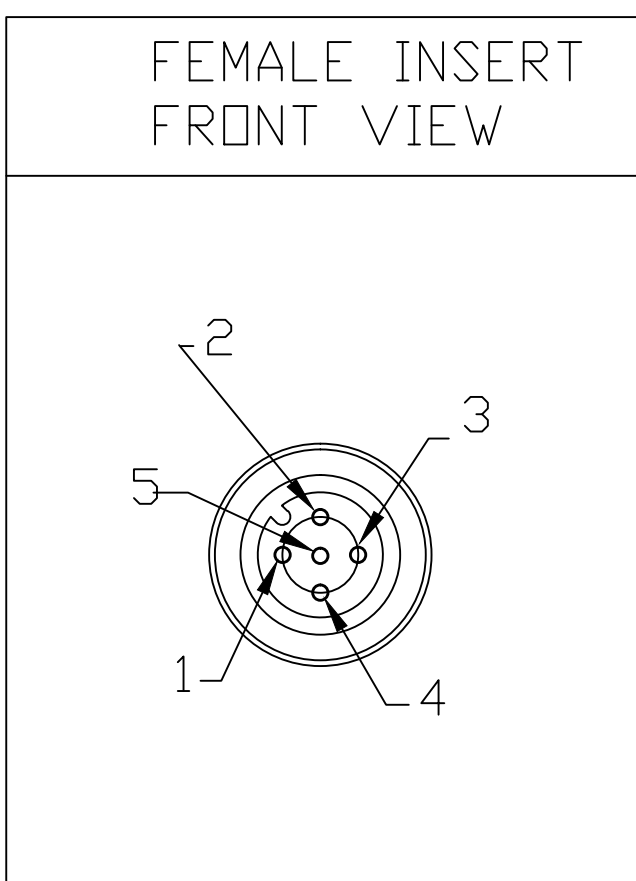
13	12	11	10	9	8	7	6	5	4	3	2	1
<b>MATERIAL NUMBER</b>	<b>OLD PART NUMBER</b>	<b>FINISHED LENGTH</b>										
1300280163	DNDF23A-M010	3.28' +3.50" -0 [1.0M +88.9mm -0]										



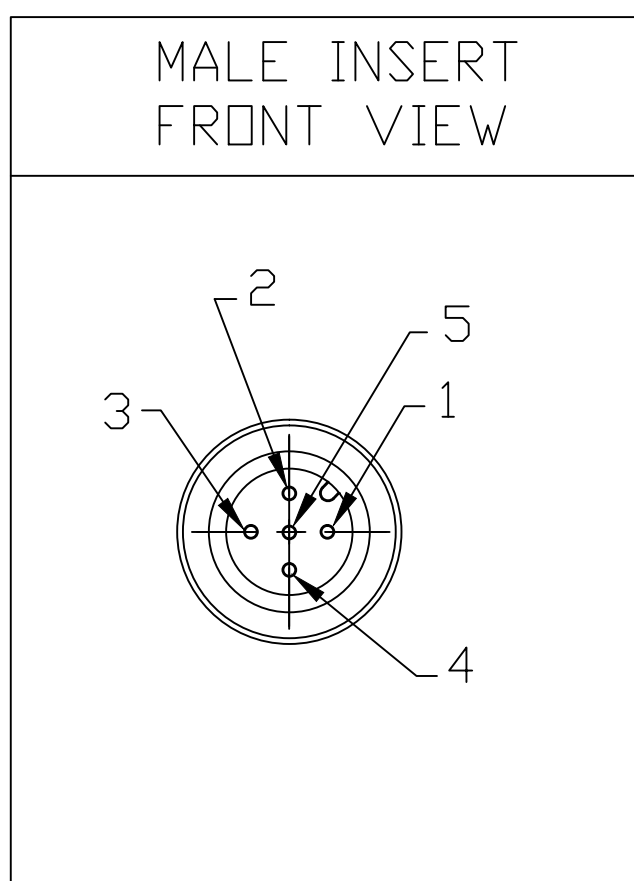
**DNDF23A-M010**

Cable type  
DEVICENET  
FLEX DROP

cable length  
M010----1 Meter  
M100----10 Meter



CONTACT:	GOLD/NICKEL OVER COPPER ALLOY
INSERT:	PVC, GRAY
COUPLING NUT:	ZINC DIE CAST, BLACK E-COATED
MOLDED BODY:	RITFLEX, GRAY
VOLTAGE RATING:	300 VAC/VDC
AMPERAGE RATING:	4 AMPS
PROTECTION:	IP67
OPERATING TEMPERATURE:	-20°C TO 80°C
CERTIFICATIONS:	UL RECOGNIZED FILE NO. E152210 CSA CERTIFIED FILE NO. LR6837



1	DRAIN	1
2	RED	2
3	BLACK	3
4	WHITE	4
5	BLUE	5

WIRING DIAGRAM

INITIAL RELEASE EC NO: IPG2014-0457 DRWN: GGUSTAFS 2013/08/30 CH'KD: BARDEN APPR: BWOODMAN2013/10/07 A	QUALITY SYMBOL ▽=0 C=0	GENERAL TOLERANCES (UNLESS SPECIFIED)	DIMENSION STYLE IN/MM	SCALE NTS	DESIGN UNITS INCH	THIRD ANGLE PROJECTION
		mm    INCH	DRAWN BY    DATE EBRACKEN    2013/06/18	TITLE <b>MICRO-CHANGE DEVICENET          5 POL 90D MALE / ST MALE          22/24 DROP CABLE GRY TPE</b>		
		4 PLACES    ±---    ±--- 3 PLACES    ±---    ±.005 2 PLACES    ±0.13    ±.010 1 PLACE    ±0.25    ±.020	CHECKED BY    DATE BARDEN    2013/09/12	<b>MOLEX INCORPORATED</b>		
		ANGULAR ±.5°	APPROVED BY    DATE BWOODMAN    2013/10/07	MATERIAL NO. <b>SEE CHART</b>	DOCUMENT NO. <b>SD-130028-010</b>	SHEET NO. <b>1 OF 1</b>
		DRAFT WHERE APPLICABLE MUST REMAIN WITHIN DIMENSIONS	THIS DRAWING CONTAINS INFORMATION THAT IS PROPRIETARY TO MOLEX INCORPORATED AND SHOULD NOT BE USED WITHOUT WRITTEN PERMISSION			